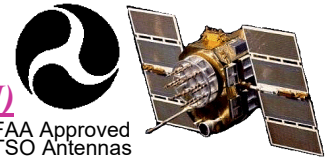




Active L1L2 GPS & Iridium Antenna for Deep Sea Applications

P/N: S5GIR1216RR-AP-XSS-UU-9557KOR

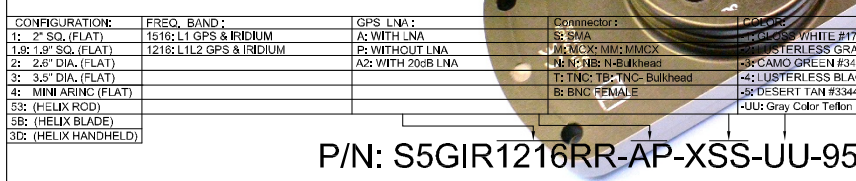
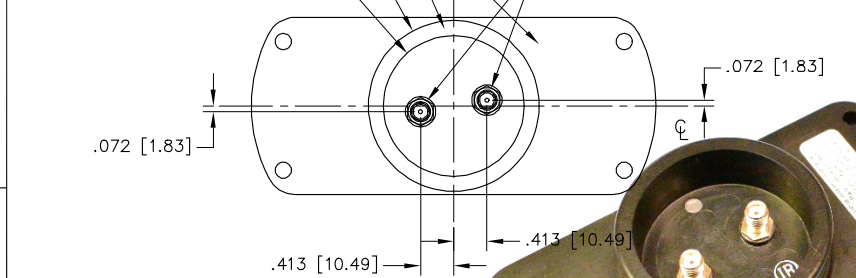
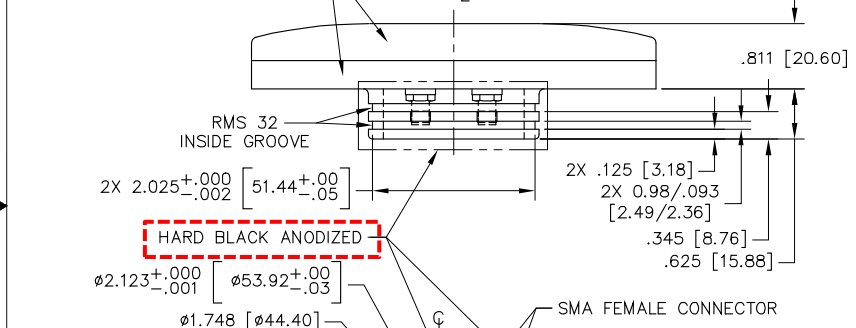
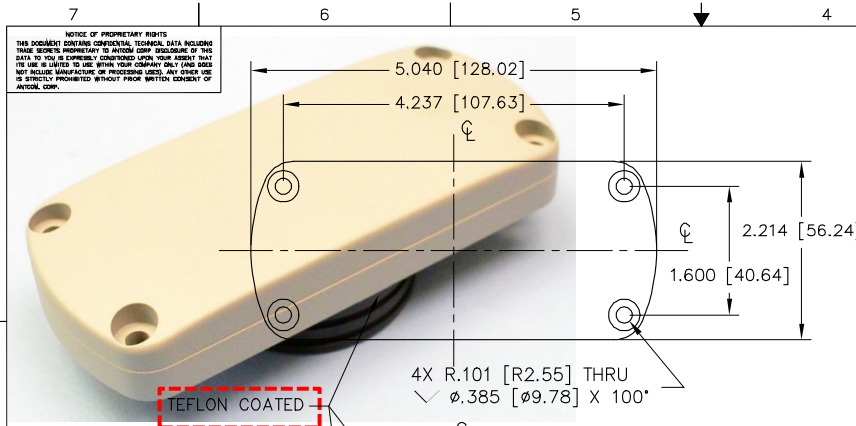
Other Frequencies and Connector Options are Available. **Depth Rate = 10 Km (14,555 PSI)**



FAA Approved
TSO Antennas

ISO 9001:2008/FAA Approved Facility Antenna Mounts: <http://www.antcom.com/documents/catalogs/PeripheralAntennaProducts2.pdf>

ANTCOM CORPORATION . 367 Van Ness Way, #602 . Torrance, CA 90501 . Tel: (310) 782-1076 . Fax: (310) 782-1086 . E-mail: antennas@antcom.com . <http://www.antcom.com>



CONFIGURATION:	FREQ. BAND:	GPS LNA:	Connector:	FINISH:
1: 2" SQ. (FLAT)	1516: L1 GPS & IRIDIUM	A: WITH LNA	S: SMA	UNLESS OTHERWISE SPECIFIED DIMENSIONS ARE IN INCHES FRACTIONS ARE DECIMALS DECIMALS ARE ANGLES ± 1/64
1.8: 1.9" SQ. (FLAT)	1218: L1L2 GPS & IRIDIUM	P: WITHOUT LNA	M: MCX; MM; MMCX	UNLESS OTHERWISE SPECIFIED DIMENSIONS ARE IN INCHES FRACTIONS ARE DECIMALS DECIMALS ARE ANGLES ± 1/64
2: 2.6" DIA. (FLAT)		A2: WITH 20dB LNA	N: N; NB: N-Bulkhead	UNLESS OTHERWISE SPECIFIED DIMENSIONS ARE IN INCHES FRACTIONS ARE DECIMALS DECIMALS ARE ANGLES ± 1/64
3: 3.5" DIA. (FLAT)			T: TNC; TB: TNC-Bulkhead	UNLESS OTHERWISE SPECIFIED DIMENSIONS ARE IN INCHES FRACTIONS ARE DECIMALS DECIMALS ARE ANGLES ± 1/64
4: MINI ARING (FLAT)			B: BNC FEMALE	UNLESS OTHERWISE SPECIFIED DIMENSIONS ARE IN INCHES FRACTIONS ARE DECIMALS DECIMALS ARE ANGLES ± 1/64
53: (HELIX ROD)				UNLESS OTHERWISE SPECIFIED DIMENSIONS ARE IN INCHES FRACTIONS ARE DECIMALS DECIMALS ARE ANGLES ± 1/64
5B: (HELIX BLADE)				UNLESS OTHERWISE SPECIFIED DIMENSIONS ARE IN INCHES FRACTIONS ARE DECIMALS DECIMALS ARE ANGLES ± 1/64
3C: (HELIX HANDHELD)				UNLESS OTHERWISE SPECIFIED DIMENSIONS ARE IN INCHES FRACTIONS ARE DECIMALS DECIMALS ARE ANGLES ± 1/64

P/N: S5GIR1216RR-AP-XSS-UU-9557KOR

SPECIFICATIONS

ZONE	REV	REVISIONS		
		DESCRIPTION	DATE	APPROVED
A		TEFLON COATING	01/24/17	S.H

ELECTRICAL:

	IRIDIUM		L1 OR L1/L2 GPS			
FREQUENCY:	(1610.0 - 1626.5) MHz		L1: (1575.42 ±13)	L2: (1227.60 ±13) MHz		
RADIATION PATTERN:	HEMISPHERICAL		HEMISPHERICAL			
POLARIZATION:	RHCP		RHCP			
VSWR:	< 1.5:1		< 1.5:1			
GAIN (dB):	4 ft G.P.	F.S.	F.S.	4 ft G.P.	F.S.	4 ft G.P.
@ 90° (Zenith):	+4.9	+5.0	+ 4.6	+ 2.9	+ 1.8	+ 5.3
@ 10° Elevation:	-1.0	-2.5	- 2.5	- 1.8	- 4.2	- 2.3
@ 20° Elevation:	+1.5	-0.5	- 1.1	+ 0.7	- 2.9	+ 0.4
@ 30° Elevation:	+2.4	+1.0	+ 0.5	+ 1.7	- 2.0	+ 2.3
@ 60° to 90° Elevation:	>+3.3	>+2.7	> 3.6	> 2.1	> 0.9	> 3.2
BEAM WIDTH (3dB):	129 °	98 °-106 °	103 °	146 °	108 °	74 °
AXIAL RATIO @ Zenith:	2 dB		2 dB			
POWER HANDLING:	30 W		1 Watt			
LIGHTNING PROTECTION:	DC GROUNDING		DC GROUNDING			
FILTER (REJ. @1616 MHz):			> 60 dB			
LNA GAIN:	N/A		(33.0/+1.0) dB			
LNA P 1dB Out:	N/A		+16 dBm			
LNA NOISE FIGURE:	N/A		2.8 dB (Filter loss is Included)			
VOLTAGE/CURRENT:	N/A		(+2.8 TO +28) Volts DC / (30 TO 50) mA			

MECHANICAL:

SIZE: WIDTH: 2.214 in. [56.24 mm], LENGTH: 5.040 in [128.02 mm], HEIGHT: 0.811 in. [20.60 mm]

WEIGHT: 10.9 oz. (308 g)

FINISH: TEFLON COATED

MATERIAL: 6061-T6 ALUMINUM ALLOY BASE COMPOSITE RADOME, IMPACT, ABRASION, UV, SOLVENT AND SKYDROL RESISTANCE, FIRE RETARDANT

CONNECTOR: SMA FEMALE (OPTION: TNC, TNC Bulkhead, N, N Bulkhead, MCX, MMCX, or Cable)

ENVIRONMENTAL:

TEMPERATURE: -67 °F TO +185 °F [-55 °C TO +85 °C]

ALTITUDE: 70,000 ft.

VIBRATION: > 30 G's

LEAKAGE: HERMETICALLY SEALED

FEDERAL & MILITARY SPECIFICATIONS:

DESIGN TO: FAA TSO-C144, DO-160D, D0-228, MIL-C-5541, MIL-E-5400, MIL-I-45208A, MIL-STD-810, AND SAE J1455

QUANTITY	DESCRIPTION	PART NO	MATERIAL	FINISH	REV
4	MOUNTING SCREW: (10-32, 1")	MS24693C276	-	-	5
1	ADHESIVE GASKET	12345G-3M-4G	-	-	3
2	O-RING	9557K124	-	-	1

UNLESS OTHERWISE SPECIFIED DIMENSIONS ARE IN INCHES FRACTIONS ARE DECIMALS DECIMALS ARE ANGLES ± 1/64	UNLESS OTHERWISE SPECIFIED DIMENSIONS ARE IN INCHES FRACTIONS ARE DECIMALS DECIMALS ARE ANGLES ± 1/64	UNLESS OTHERWISE SPECIFIED DIMENSIONS ARE IN INCHES FRACTIONS ARE DECIMALS DECIMALS ARE ANGLES ± 1/64	UNLESS OTHERWISE SPECIFIED DIMENSIONS ARE IN INCHES FRACTIONS ARE DECIMALS DECIMALS ARE ANGLES ± 1/64
TOLERANCE ±.010 PER ANSI Y14.5	TOLERANCE ±.010 PER ANSI Y14.5	TOLERANCE ±.010 PER ANSI Y14.5	TOLERANCE ±.010 PER ANSI Y14.5
REMOVE ALL BURRS	REMOVE ALL BURRS	REMOVE ALL BURRS	REMOVE ALL BURRS
BEZEL EXTERNAL EDGES 2005 TO 2015	BEZEL EXTERNAL EDGES 2005 TO 2015	BEZEL EXTERNAL EDGES 2005 TO 2015	BEZEL EXTERNAL EDGES 2005 TO 2015
525V R RURE/AS PER MIL-S-8878	525V R RURE/AS PER MIL-S-8878	525V R RURE/AS PER MIL-S-8878	525V R RURE/AS PER MIL-S-8878
24'S ON A CORNER ±.0005	24'S ON A CORNER ±.0005	24'S ON A CORNER ±.0005	24'S ON A CORNER ±.0005
MACHINED SURFACES 2/	MACHINED SURFACES 2/	MACHINED SURFACES 2/	MACHINED SURFACES 2/
DO NOT SCALE DRAWING	DO NOT SCALE DRAWING	DO NOT SCALE DRAWING	DO NOT SCALE DRAWING

ANTCOM CORP. TORRANCE, CALIFORNIA

ACTIVE L1L2 GPS/IRIDIUM ANTENNA

DATE: 01/24/17
DRAWN BY: S. HUYNH
CHECKED BY: P. TRAN
APPROVED BY: S. HUYNH

SCALE: 1/1

SHEET 1 OF 1