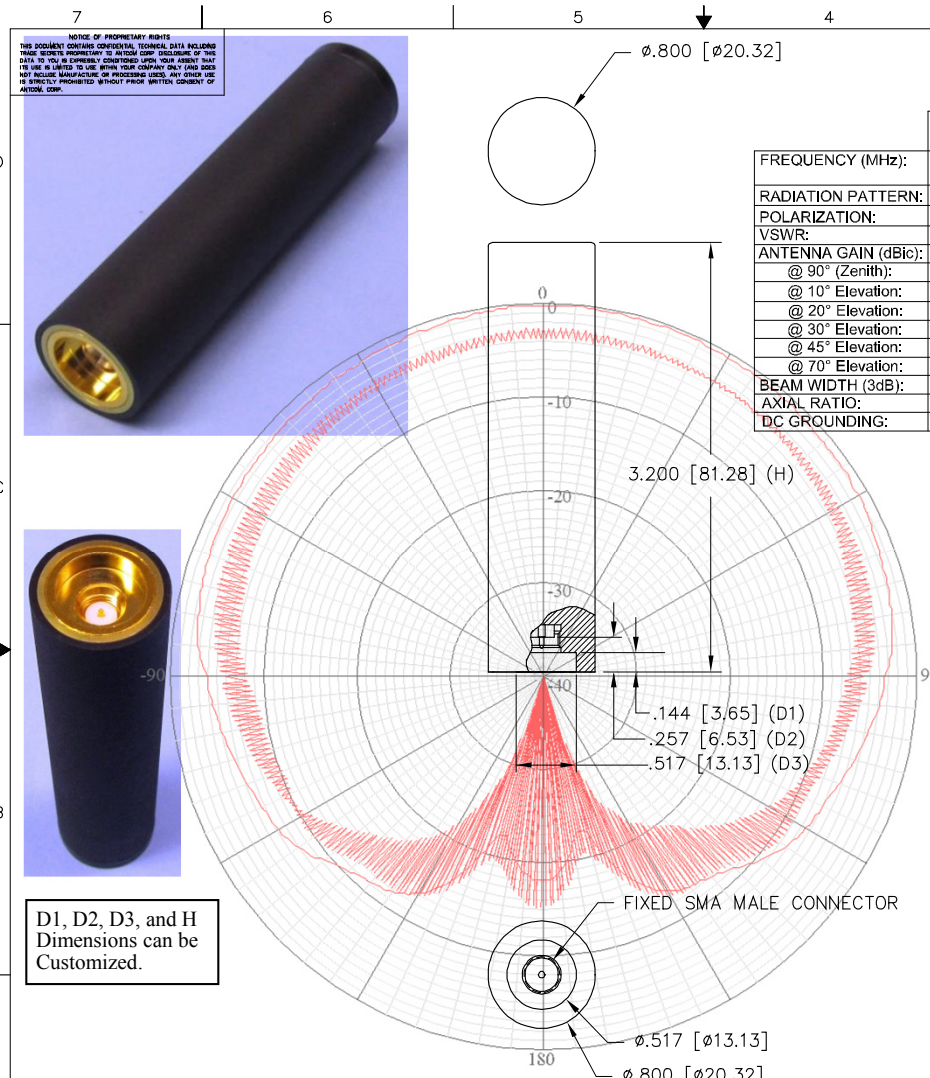


ANTCOM CORPORATION . 367 Van Ness Way, Suite 602 . Torrance, CA 90501 . Tel: (310) 782-1076 . Fax: (310) 782-1086 . E-mail: antennas@antcom.com . http://www.antcom.com

NMO Connector Option is Now Available for Some Antennas



D1, D2, D3, and H Dimensions can be Customized.

**SPECIFICATIONS**

**ELECTRICAL:**

	L2 GPS	L2 GLONASS	Omnistar/L-Band Rx INMARSAT	L1 GPS	L1 GLONASS	IRIDIUM	Tx INMARSAT
FREQUENCY (MHz):	(1227.60 ±13)	(1242-1252)	(1542.50 ±17.5)	(1575.42 ±15)	(1598 - 1609)	(1610-1626)	(1642.50 ±17.5)
RADIATION PATTERN:	HEMISPHERICAL						
POLARIZATION:	RHCP						
VSWR:	< 1.5:1						
ANTENNA GAIN (dBic):							
@ 90° (Zenith):	-4.1	-3.8	-3.1	+0.3	+0.7	-0.1	-1.9
@ 10° Elevation:	-8.1	-8.0	-6.3	-2.7	-2.5	-3.3	-5.3
@ 20° Elevation:	-6.8	-6.6	-5.3	-1.8	-1.7	-2.5	-4.7
@ 30° Elevation:	-5.8	-5.6	-4.7	-1.2	-1.2	-2.0	-4.0
@ 45° Elevation:	-4.7	-4.6	-4.0	-0.5	-0.4	-1.2	-3.1
@ 70° Elevation:	-4.2	-4.1	-3.4	+0.1	+0.3	-0.5	-2.5
BEAM WIDTH (3dB):	145°	145°	155°	155°	155°	155°	155°
AXIAL RATIO:	1dB	2dB	1dB	1dB	1dB	1dB	1dB
DC GROUNDING:	YES (LIGHTNING PROTECTION)						

**LNA OPTION:**

LNA GAIN: 27 dB (-A), 33 dB (-A3), 44 dB (-A4)  
LNA NOISE FIGURE: 2.0 dB  
LNA P 1dB Out: +13 dBm  
VOLTAGE/CURRENT: (+2.4 TO +5) Volts DC / (15 TO 30) mA

**MECHANICAL:**

SIZE: DIAMETER: 0.80 in. [ 20.32 mm]  
HEIGHT: 3.20 in. [81.28 mm]  
WEIGHT: 0.705 oz (20 g)  
FINISH: SKYDROL RESISTANT POLYURETHANE ENAMEL  
BASE IRIDITE PER MIL-C-5441  
MATERIAL: 6061-T6 ALUMINUM ALLOY BASE  
COMPOSITE RADOME, IMPACT, ABRASION, UV, SOLVENT,  
SKYDROL RESISTANCE, AND FIRE RETARDANT  
CONNECTOR: FIXED SMA MALE  
(OPTION: MCX, SMA, MCX, MMCX, QMA, BNC or Cable)

**ENVIRONMENTAL:**

TEMPERATURE: -67 °F TO +185 °F [-55 °C TO +85 °C]  
ALTITUDE: 70,000 ft.  
VIBRATION: > 30 G's  
LEAKAGE: HERMETICALLY SEALED

**FEDERAL & MILITARY SPECIFICATIONS:**

DESIGN TO: FAA TSO-C144, DO-160D, D0-228, MIL-C-5541,  
MIL-E-5400, MIL-I-45208A, MIL-STD-810, AND SAE J1455  
ACCEPTANCE TEST PROCEDURE: ATP-GPS-L1L2-100

FREQUENCY:	L1: L1/Glonass	L2: L2/Glonass	IR: Iridium	IN: Inmarsat/Iridium	T: Thuraya	L1IR: L1 GPS/Glonass/Iridium	L2IR: L2 GPS/Glonass/Iridium	L1IN: L1 GPS/Glonass/Inmarsat/Iridium	L2IN: L2 GPS/Glonass/Inmarsat/Iridium	SXR: S-BAND (RHCP)	SX1: S-BAND (LHCP)
POLARIZATION:	R: RHCP	L: LHCP									
LNA:	A3: WITH 27 dB Gain LNA	A4: WITH 33 dB Gain LNA	A4: WITH 44 dB Gain LNA	P: WITHOUT LNA							
CONNECTOR:	S: SMA; SM: SMA MALE	Q: QMA; P: PINS	M: MCX; MM: MMCX	N: N; NB: N-Bulkhead	T: TNC; TB: TNC; Bulkhead						
COLOR:	-1: GLOSS WHITE #17925 PER FED-STD-595B	-2: LUSTERLESS GRAY #36320 PER FED-STD-595B	-3: OLIVE DRAB GREEN #34031 PER FED-STD-595B	-4: NATURAL MOLDED BLACK WITH GLASS FILL	-5: TAN #; FS 23446 or 33446, FED-STD-595 PAINT						

**P/N: HL1L2IRP-XSM-4-3**

QUANTITY	DESCRIPTION	PART NO	MATERIAL	FINISH	REV
1					1

UNLESS OTHERWISE SPECIFIED DIMENSIONS ARE IN INCHES FRACTIONS DECIMALS ANGLES ± 1/64 ± .004 ± .005 ± .1°	ORIGINALLY DRAWN S. HUYNH May-25-11	<p><b>ANTCOM CORP.</b> TORRANCE, CALIFORNIA</p> <p>L1L2 GPS/GLONASS + IRIDIUM/INMARSAT ANTENNA</p> <p>D13CVE1 HL1L2IRP-XSM-4-3</p> <p>SCALE 1/1 SHEET 1 OF 1</p>
TOLERANCE SYM PER ANSI Y14.5 REMOVE ALL DIMS BREAK EXTERNAL EDGES .005 TO .015 FILED .005 TO .010 SDRS THROUGH PER MIL-STD-8878 DIA'S ON A COMMON 1/2" DIA MACHINED SURFACES 12.5	ORIGINALLY DESIGNED S. HUYNH May-25-11	
	UPDATED S. HUYNH Feb-21-14	
	UPDATE DRAWN P. TRAN Feb-21-14	
	APPROVED S. HUYNH Feb-21-14	

Antenna Mounts: http://www.antcom.com/documents/catalogs/PeripheralAntennaProducts2.pdf