



FAA Approved Facility

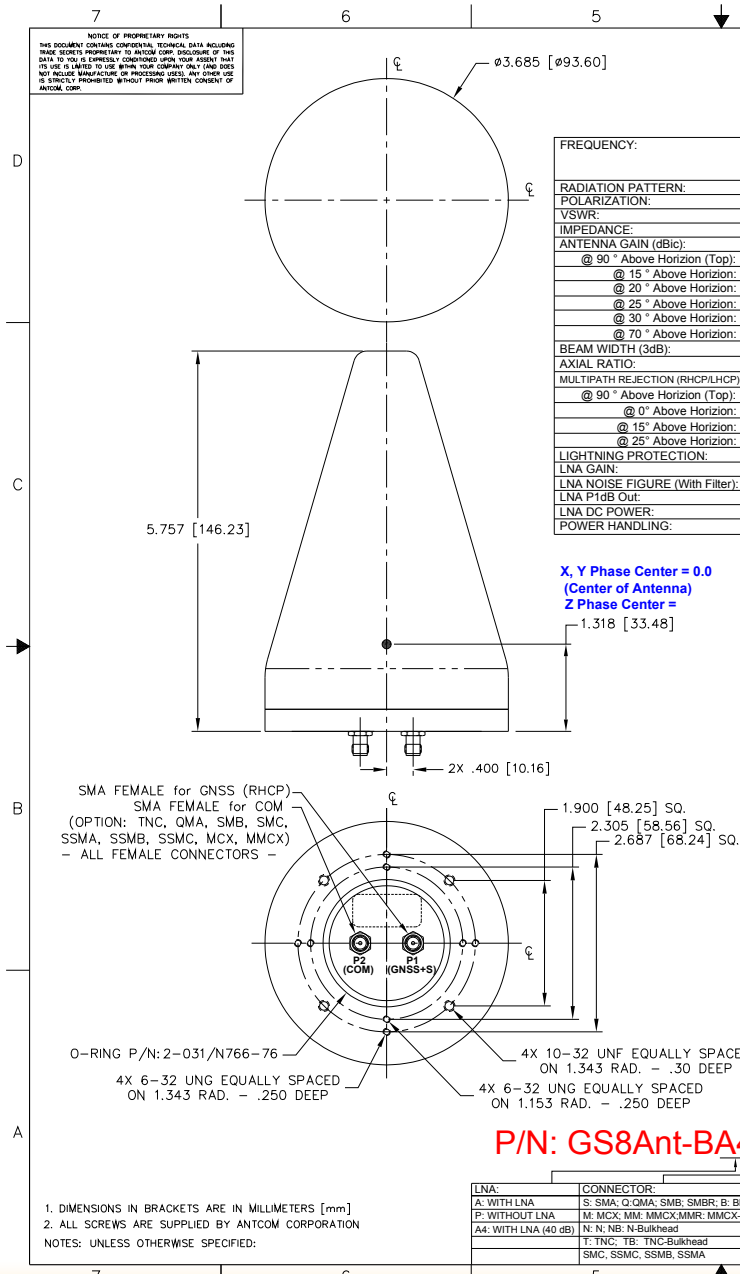
The COMBO New High Performance Ruggedized Fixed Mount GNSS+S-Band+COM Antenna P/N: GS8Ant-BA4SS1-COM Rev A For Marine and Ground Applications

Antenna Mounts/Adapters: <http://www.antcom.com/documents/catalogs/PeripheralAntennaProducts2.pdf>



ANTCOM CORPORATION . 367 Van Ness Way, Suite 602 . Torrance, CA 90501 . Tel: (310) 782-1076 . Fax: (310) 782-1086 . E-mail: antennas@antcom.com . <http://www.antcom.com>

“-HF” for High Iridium/Inmarsat/Thuraya-Rejection Front End Filter Option: **-22dB@1616MHz**, **-34dB@1625-1660MHz**,
“-HFO” for Additional Omnistar Rejection: **-27dB@1545MHz**



ZONE	REV	REVISIONS																																																																																																			
		DESCRIPTION	DATE	APPROVED																																																																																																	
<p>ELECTRICAL:</p> <table border="1"> <thead> <tr> <th>L5 GPS E5, E5a, E5b Galileo L5 IRNSS</th> <th>L2 GPS B2 Compass</th> <th>L2 GLONASS E6 Galileo B3 Compass</th> <th>OmniSTAR / L-Band L6 Galileo B1 Compass</th> <th>L1 GPS E1, E2 Galileo L1 IRNSS</th> <th>L1 GLONASS</th> <th>S-Band</th> <th>(COM) QIAD-BAND (S5MPCIS) L-Band Locat/Wi-Fi/S-C-Band</th> </tr> </thead> <tbody> <tr> <td>1176.45 ± 12 MHz 1164.45 - 1219.14 MHz 1176.45 ± 12 MHz</td> <td>1227.60 ± 12 MHz 1207.14 ± 10 MHz</td> <td>1242 - 1252 MHz 1266.75 - 1290.75 MHz 1268.52 ± 10 MHz</td> <td>1542.50 ± 14.0 MHz 1542.50 ± 5.0 MHz 1561.098 ± 10 MHz</td> <td>1575.42 ± 15.0 MHz 1575.42 ± 17.0 MHz 1575.42 ± 12.0 MHz</td> <td>1598 - 1609 MHz</td> <td>2493 ± 12 MHz</td> <td>824-960, 1710-1990 1600-1990 2300-2500, 4400-5900 (MHz)</td> </tr> </tbody> </table> <p>SPECIFICATIONS</p> <table border="1"> <thead> <tr> <th>FREQUENCY:</th> <th>RHCP</th> <th>RHCP</th> <th>HEMISPHERICAL</th> <th>RHCP</th> <th>RHCP</th> <th>RHCP</th> <th>RHCP</th> <th>VERTICAL</th> </tr> </thead> <tbody> <tr> <td></td> <td>< 2.0:1</td> <td>< 2.0:1</td> <td>< 2.0:1</td> <td>< 2.0:1</td> <td>< 2.0:1</td> <td>< 2.0:1</td> <td>< 2.0:1</td> <td>(2.0-3.5):1</td> </tr> <tr> <td></td> <td>50 ohms</td> <td>50 ohms</td> <td>50 ohms</td> <td>50 ohms</td> <td>50 ohms</td> <td>50 ohms</td> <td>50 ohms</td> <td>50 ohms</td> </tr> <tr> <td></td> <td></td> <td></td> <td></td> <td></td> <td></td> <td></td> <td></td> <td>OMNI</td> </tr> <tr> <td></td> <td></td> <td></td> <td></td> <td></td> <td></td> <td></td> <td></td> <td>(0-3.8) dBil</td> </tr> <tr> <td></td> <td></td> <td></td> <td></td> <td></td> <td></td> <td></td> <td></td> <td>OMNI</td> </tr> <tr> <td></td> <td></td> <td></td> <td></td> <td></td> <td></td> <td></td> <td></td> <td>N/A</td> </tr> <tr> <td></td> <td></td> <td></td> <td></td> <td></td> <td></td> <td></td> <td></td> <td>N/A</td> </tr> <tr> <td></td> <td></td> <td></td> <td></td> <td></td> <td></td> <td></td> <td></td> <td>N/A</td> </tr> </tbody> </table> <p>MECHANICAL:</p> <p>SIZE: DIAMETER: 3.68 in. [93.6mm] HEIGHT: 5.76 in [146.2mm]</p> <p>WEIGHT: 13.6oz. (385.5 g)</p> <p>FINISH: SKYDROL RESISTANT POLYURETHANE ENAMEL BASE IRIDITE PER MIL-C-5541F CLASS 1A</p> <p>MATERIAL: 6061-T6 ALUMINUM ALLOY BASE COMPOSITE RADOME, IMPACT, ABRASION, UV, SOLVENT, SKYDROL RESISTANCE, AND FIRE RETARDANT</p> <p>CONNECTOR: SMA FEMALE (OPTION: TNC, QMA, SMB, SMC, SSMA, SSBM, SSMC, MCX, MMCX)</p> <p>ENVIRONMENTAL:</p> <p>TEMPERATURE: -67 °F TO +185 °F [-55 °C TO +85 °C] 70,000 ft.</p> <p>VIBRATION: > 30 G's HERMETICALLY SEAL</p> <p>FEDERAL & MILITARY SPECIFICATIONS:</p> <p>FAA TSO-C144, DO-160D, D0-228, MIL-C-5541, MIL-E-5400, MIL-I-45208A, MIL-STD-810, AND SAE J1455</p> <p>ACCEPTANCE TEST PROCEDURE: ATP-GPS-L1L2-100</p>					L5 GPS E5, E5a, E5b Galileo L5 IRNSS	L2 GPS B2 Compass	L2 GLONASS E6 Galileo B3 Compass	OmniSTAR / L-Band L6 Galileo B1 Compass	L1 GPS E1, E2 Galileo L1 IRNSS	L1 GLONASS	S-Band	(COM) QIAD-BAND (S5MPCIS) L-Band Locat/Wi-Fi/S-C-Band	1176.45 ± 12 MHz 1164.45 - 1219.14 MHz 1176.45 ± 12 MHz	1227.60 ± 12 MHz 1207.14 ± 10 MHz	1242 - 1252 MHz 1266.75 - 1290.75 MHz 1268.52 ± 10 MHz	1542.50 ± 14.0 MHz 1542.50 ± 5.0 MHz 1561.098 ± 10 MHz	1575.42 ± 15.0 MHz 1575.42 ± 17.0 MHz 1575.42 ± 12.0 MHz	1598 - 1609 MHz	2493 ± 12 MHz	824-960, 1710-1990 1600-1990 2300-2500, 4400-5900 (MHz)	FREQUENCY:	RHCP	RHCP	HEMISPHERICAL	RHCP	RHCP	RHCP	RHCP	VERTICAL		< 2.0:1	< 2.0:1	< 2.0:1	< 2.0:1	< 2.0:1	< 2.0:1	< 2.0:1	(2.0-3.5):1		50 ohms	50 ohms	50 ohms	50 ohms	50 ohms	50 ohms	50 ohms	50 ohms									OMNI									(0-3.8) dBil									OMNI									N/A									N/A									N/A
L5 GPS E5, E5a, E5b Galileo L5 IRNSS	L2 GPS B2 Compass	L2 GLONASS E6 Galileo B3 Compass	OmniSTAR / L-Band L6 Galileo B1 Compass	L1 GPS E1, E2 Galileo L1 IRNSS	L1 GLONASS	S-Band	(COM) QIAD-BAND (S5MPCIS) L-Band Locat/Wi-Fi/S-C-Band																																																																																														
1176.45 ± 12 MHz 1164.45 - 1219.14 MHz 1176.45 ± 12 MHz	1227.60 ± 12 MHz 1207.14 ± 10 MHz	1242 - 1252 MHz 1266.75 - 1290.75 MHz 1268.52 ± 10 MHz	1542.50 ± 14.0 MHz 1542.50 ± 5.0 MHz 1561.098 ± 10 MHz	1575.42 ± 15.0 MHz 1575.42 ± 17.0 MHz 1575.42 ± 12.0 MHz	1598 - 1609 MHz	2493 ± 12 MHz	824-960, 1710-1990 1600-1990 2300-2500, 4400-5900 (MHz)																																																																																														
FREQUENCY:	RHCP	RHCP	HEMISPHERICAL	RHCP	RHCP	RHCP	RHCP	VERTICAL																																																																																													
	< 2.0:1	< 2.0:1	< 2.0:1	< 2.0:1	< 2.0:1	< 2.0:1	< 2.0:1	(2.0-3.5):1																																																																																													
	50 ohms	50 ohms	50 ohms	50 ohms	50 ohms	50 ohms	50 ohms	50 ohms																																																																																													
								OMNI																																																																																													
								(0-3.8) dBil																																																																																													
								OMNI																																																																																													
								N/A																																																																																													
								N/A																																																																																													
								N/A																																																																																													

P/N: GS8Ant-BA4SS1-COM

1. DIMENSIONS IN BRACKETS ARE IN MILLIMETERS [mm]
2. ALL SCREWS ARE SUPPLIED BY ANTCOM CORPORATION
NOTES: UNLESS OTHERWISE SPECIFIED:

LNA:	CONNECTOR:	COLOR:
A: WITH LNA	S: SMA; Q: QMA; SMB: SMR; B: BNC	1: GLOSS WHITE #17925 PER FED-STD-595B
P: WITHOUT LNA	M: MCX; MM: MMCX; MMR: MMCX-R	2: LUSTERLESS GRAY #36320 PER FED-STD-595B
A4: WITH LNA (40 dB)	N: N; NB: N-Bulkhead	3: OLIVE DRAB GREEN #34094 PER FED-STD-595B
	T: TNC; TB: TNC-Bulkhead	4: LUSTERLESS BLACK #37038 PER FED-STD-595B
	SMC, SSMC, SSMB, SSMA	5: DESERT TAN #33446 PER FED-STD-595B

QUANTITY REQD	DESCRIPTION	PART NO	FINISH	ITEM NO
4	MOUNTING SCREWS: 6-32, 3/4"	MS24693-C30		3
4	MOUNTING SCREWS: 10-32, 3/4"	MS24693C274		2
1	O-RING or GASKET, O-Ring Item 550	2-031/N766-76		1

ANTCOM CORP. TORRANCE CALIFORNIA

3.7in. DIAMETER
2 PORTS FIXED MOUNT
GNSS + S-Band + COM ANTENNA

REV: 1
DATE: 08/08/14
DRAWN BY: S. HUYNH
CHECKED BY: S. HUYNH
APPROVED BY: S. HUYNH

SCALE: 1/1

SHEET 1 OF 1