



FAA Approved Facility

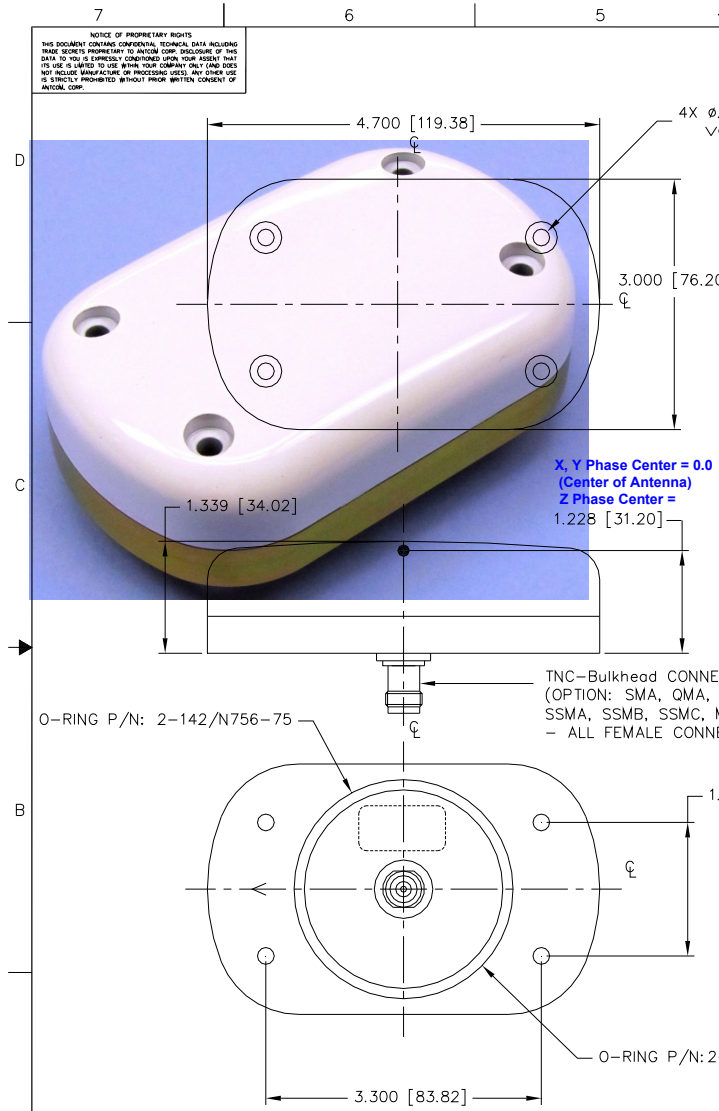
New High Performance GPS/Inmarsat/Iridium Antenna, P/N: G8L-L1RxTxIN-743PT1 Thuraya Antenna, P/N: G8L-RxTxT-743PT1 Avionic Arinc 743 Configuration

Antenna Mounts/Adapters: <http://www.antcom.com/documents/catalogs/PeripheralAntennaProducts2.pdf>



ANTCOM CORPORATION . 367 Van Ness Way, Suite 602 . Torrance, CA 90501 . Tel: (310) 782-1076 . Fax: (310) 782-1086 . E-mail: antennas@antcom.com . <http://www.antcom.com>

NOTICE OF PROPRIETARY RIGHTS
THIS DOCUMENT CONTAINS CONFIDENTIAL, TECHNICAL DATA INCLUDING TRADE SECRETS PROPRIETARY TO ANTCOM CORP. DISCLOSURE OF THIS DATA TO ANY OTHER PARTY IS EXPRESSLY PROHIBITED. YOUR AGREEMENT THAT ITS USE IS LIMITED TO USE WITHIN YOUR COMPANY ONLY (AND DOES NOT INCLUDE MANUFACTURE OR PROCEEDING THEREIN) ANY OTHER USE IS STRICTLY PROHIBITED WITHOUT PRIOR WRITTEN CONSENT OF ANTCOM CORP.



1. DIMENSIONS IN BRACKETS ARE IN MILLIMETERS [mm]
2. ALL SCREWS ARE SUPPLIED BY ANTCOM CORPORATION
NOTES: UNLESS OTHERWISE SPECIFIED:

P/N: G8L-L1RxTxIN-743PT1

GPS LNA OPTION:	CONNECTOR:	COLOR:
A: WITH LNA	S: SMA; Q: QMA; SMB; SMBR; B: BNC	-1: GLOSS WHITE #17925 PER FED-STD-595B
P: WITHOUT LNA	M: MCX; MM: MMCX; MMR: MMCX-R	-2: LUSTERLESS GRAY #36320 PER FED-STD-595B
LNA GAIN: 24.0 dB	N: N; NB: N-Bulkhead	-3: OLIVE DRAB GREEN #34094 PER FED-STD-595B
LNA NOISE FIGURE: 1.8 dB	T: TNC; TB: TNC-Bulkhead	-4: LUSTERLESS BLACK #37038 PER FED-STD-595B
LNA P 1dB Out: +16 dBm		-5: DESERT TAN #33446 PER FED-STD-595B
VOLTAGE/CURRENT: (2.8-28) VDCI <25mA	SMC; SSMC; SSMB; SSMA	

SPECIFICATIONS

ELECTRICAL:

	IN PORT				GPS PORT			
	Rx Inmarsat (RHCP)		L1 GPS, E1, E2 Galileo, L1 IRNSS (RHCP)		Tx-Inmarsat (RHCP)		L1 GPS	
FREQUENCY:	(1542.5 ± 24.5) MHz		(1575 ± 17) MHz		(1642.5 ± 32.5) MHz		(1575.42 ± 12) MHz	
RADIATION PATTERN:	HEMISPHERICAL							
VSWR:	< 1.5:1		< 1.5:1		< 1.5:1		< 2.1:1	
IMPEDANCE:	50 ohms		50 ohms		50 ohms		50 ohms	
ANTENNA GAIN (dBic):	Free Space	4 ft G.P.	Free Space	4 ft G.P.	Free Space	4 ft G.P.	Free Space	4 ft G.P.
@ 90 ° Above Elevation (Top):	+ 3.8	+ 2.9	+ 3.6	+ 3.6	+ 3.8	+ 2.9	- 0.8	+ 3.8
@ 10 ° Above Elevation:	- 6.2	- 5.5	- 6.6	- 5.2	- 6.6	- 6.9	- 9.3	- 4.3
@ 15 ° Above Elevation:	- 5.1	- 3.8	- 5.5	- 3.6	- 5.4	- 5.2	- 8.1	- 3.3
@ 20 ° Above Elevation:	- 3.9	- 2.1	- 4.1	- 1.9	- 4.1	- 3.5	- 6.8	- 2.2
@ 25 ° Above Elevation:	- 2.9	- 1.3	- 3.1	- 1.2	- 3.2	- 2.6	- 6.0	- 1.5
@ 30 ° Above Elevation:	- 1.8	- 0.5	- 2.1	- 0.5	- 2.2	- 1.7	- 5.2	- 0.7
@ 70 ° Above Elevation:	+ 3.1	+ 2.5	+ 3.0	+ 2.5	+ 3.1	+ 2.3	- 2.1	+ 2.5
BEAM WIDTH (3dB):	90 Deg.	110 Deg.	90 Deg.	95 Deg.	90 Deg.	95 Deg.	100 Deg.	120 Deg.
AXIAL RATIO:	1 dB	3 dB	1 dB	3 dB	1 dB	3 dB	2.5 dB	
LIGHTNING PROTECTION:	DC GROUNDING							

MECHANICAL:

SIZE: 4.70 in. [119.4mm] X 3.00 in. [76.2 mm]
HEIGHT: 1.34 in [34.0mm]
WEIGHT: 14.6 oz. (414.8 g)
FINISH: SKYDROL RESISTANT POLYURETHANE ENAMEL
MATERIAL: BASE IRIDITE PER MIL-C-5541F CLASS 1A
6061-T6 ALUMINUM ALLOY BASE
COMPOSITE RADOME, IMPACT, ABRASION, UV, SOLVENT, SKYDROL RESISTANCE, AND FIRE RETARDANT
CONNECTOR: TNC Female
(OPTION: SMA, QMA, SMB, SMC, SSMA, SSMB, SSMC, MCX, MMCX)

ENVIRONMENTAL:

TEMPERATURE: -67 °F to +185 °F [-55 °C to +85 °C]
70,000 ft.
VIBRATION: > 30 G's
HERMETICALLY SEAL

FEDERAL & MILITARY SPECIFICATIONS:

FAA TSO-C144, DO-160D, D0-228, MIL-C-5541, MIL-E-5400, MIL-1-45208A, MIL-STD-810, AND SAE J1455

ACCEPTANCE TEST PROCEDURE:

4	Mounting Screw: 10-32, 2.0"	MS24693C284		2
1	O-Ring or Gasket, O-RING Item 551t	2-142/N756-75		1
QUANTITY REQ. DESCRIPTION PARTS LIST PART NO FINISH ITEM NO				
UNLESS OTHERWISE SPECIFIED DIMENSIONS ARE IN INCHES FRACTIONS DECIMALS ANGLES ± 1/64 .0005 .005 ± 1°				
TOLERANCE SURF PER ANSI Y14.5 REMOVE ALL BURRS PRELIM TO DIMS PER MIL-S-8879 DIMS ON A COMMON VZ MACHINED SURFACES VZ		ANTCOM CORP. TORRANCE CALIFORNIA		
DO NOT SCALE DRAWING		743 ARINC INMARSAT & GPS ANTENNA		
DATE: 05/05/16		SCALE: 1/1		
DRAWN BY: S. HUYNH		SHEET 1 OF 1		
CHECKED BY: S. HUYNH		PART NO: G8L-L1RxTxIN-743PT1		
APPROVED BY: S. HUYNH		REV: 01		

NMO Connector Option is Now Available for Some Antennas