



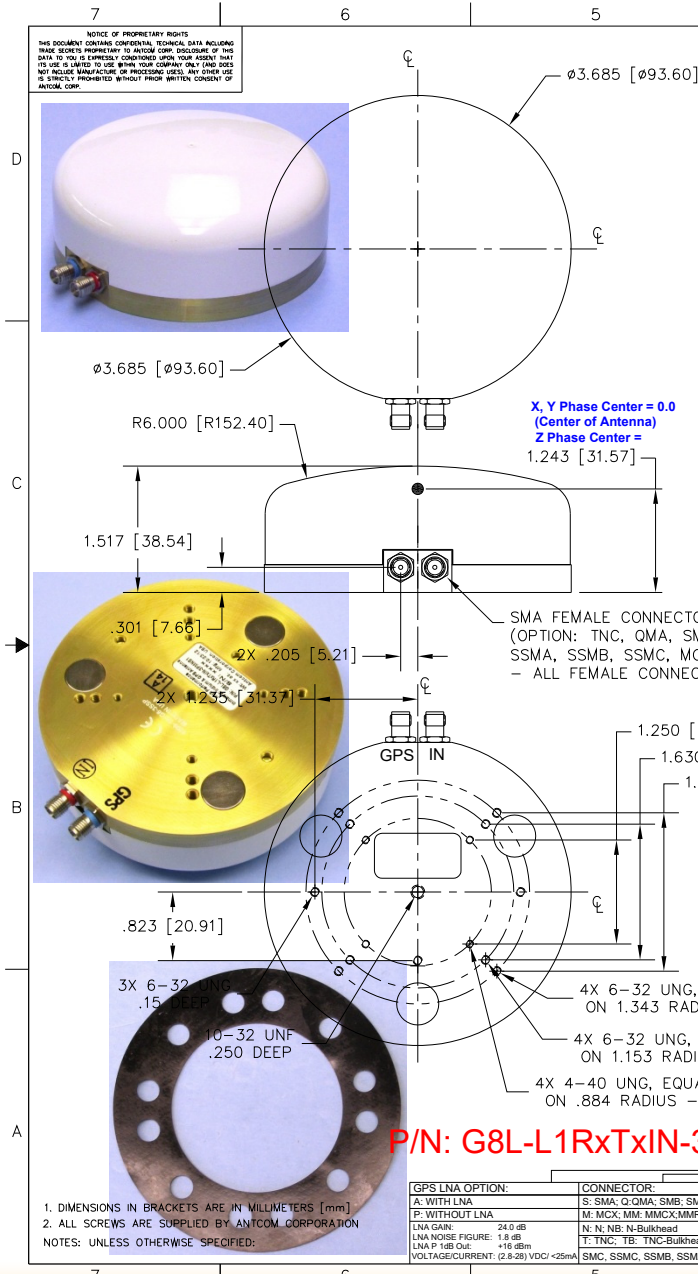
**New High Performance**  
 2-Port GPS/Inmarsat/Iridium Antenna, P/N: G8L-L1RxTxIN-3PMNSS1; GPS/Thuraya Antenna, P/N: G8L-L1RxTxT-3PMNSS1  
 1-Port GPS/Inmarsat/Iridium Antenna, P/N: G8L-L1RxTxIN-3PMNS1; Thuraya Antenna, P/N: G8L-RxTxT-3PMNS1  
 3.7" Diameter, Magnetic Mount/ Side Connector Configuration

FAA Approved Facility

Antenna Mounts/Adapters: <http://www.antcom.com/documents/catalogs/PeripheralAntennaProducts2.pdf>



ANTCOM CORPORATION . 367 Van Ness Way, Suite 602 . Torrance, CA 90501 . Tel: (310) 782-1076 . Fax: (310) 782-1086 . E-mail: [antennas@antcom.com](mailto:antennas@antcom.com) . <http://www.antcom.com>



		SPECIFICATIONS									
		IN PORT					GPS PORT				
		Rx Inmarsat (RHCP)	L1 GPS, E1, E2 Galileo, L1 IRNSS (RHCP)	IRIDIUM L1 GLONASS (RHCP) OR Tx-GLOBALSTAR (LHCP)	Tx-Inmarsat (RHCP)	L1 GPS					
FREQUENCY:	(1542.5 ± 24.5) MHz	(1575 ± 17) MHz	(1609 -1626) MHz	(1642.5 ± 32.5) MHz	(1575.42 ± 12) MHz						
RADIATION PATTERN:	HEMISPHERICAL										
VSWR:	< 1.5:1	< 1.5:1	< 1.5:1	< 1.5:1	< 2.1:1						
IMPEDANCE:	50 ohms	50 ohms	50 ohms	50 ohms	50 ohms						
ANTENNA GAIN (dBic):	Free Space	4 ft G.P.	Free Space	4 ft G.P.	Free Space	4 ft G.P.	Free Space	4 ft G.P.	Free Space	4 ft G.P.	
@ 90° Above Elevation (Top):	+ 3.8	+ 2.9	+ 3.6	+ 3.6	+ 3.7	+ 3.3	+ 3.8	+ 2.9	- 0.8	+ 3.8	
@ 10° Above Elevation:	- 6.2	- 5.5	- 6.6	- 5.2	- 6.6	- 6.1	- 6.6	- 6.9	- 9.3	- 4.3	
@ 15° Above Elevation:	- 5.1	- 3.8	- 5.5	- 3.6	- 5.5	- 4.4	- 5.4	- 5.2	- 8.1	- 3.3	
@ 20° Above Elevation:	- 3.9	- 2.1	- 4.1	- 1.9	- 4.1	- 2.7	- 4.1	- 3.5	- 6.8	- 2.2	
@ 25° Above Elevation:	- 2.9	- 1.3	- 3.1	- 1.2	- 3.2	- 1.9	- 3.2	- 2.6	- 6.0	- 1.5	
@ 30° Above Elevation:	- 1.8	- 0.5	- 2.1	- 0.5	- 2.2	- 1.1	- 2.2	- 1.7	- 5.2	- 0.7	
@ 70° Above Elevation:	+ 3.1	+ 2.5	+ 3.0	+ 2.5	+ 3.1	+ 2.4	+ 3.1	+ 2.3	- 2.1	+ 2.5	
BEAM WIDTH (3dB):	90 Deg.	110 Deg.	90 Deg.	95 Deg.	90 Deg.	95 Deg.	90 Deg.	95 Deg.	100 Deg.	120 Deg.	
AXIAL RATIO:	1 dB	3 dB	1 dB	3 dB	1 dB	3 dB	1 dB	3 dB	2.5 dB		
LIGHTNING PROTECTION:	DC GROUNDING										
LNA GAIN (GPS ONLY):	33 dB Gain										
LNA NOISE FIGURE:	3.0 dB										
LNA P1dB Out:	+13 dBm										
LNA DC POWER:	2.5V/20mA, 3V/29mA, 3.3V/35mA, (2.5-24)V/I<50mA										
REJECTION @ (-50/+50) MHz	-40 dB / -40 dB										
@ (-100/+100) MHz	< -65 dB										
POWER HANDLING:	50 Watts CW (WITHOUT LNA), 1 Watt CW (WITH LNA)										

- MECHANICAL:**
- SIZE: DIAMETER: 3.68 in. [93.6mm]  
HEIGHT: 1.52 in [32.3mm]
  - WEIGHT: 13.6oz. (385.8 g)
  - FINISH: SKYDROL RESISTANT POLYURETHANE ENAMEL  
BASE IRIDITE PER MIL-C-5541F CLASS 1A
  - MATERIAL: 6061-T6 ALUMINUM ALLOY BASE  
COMPOSITE RADOME, IMPACT, ABRASION, UV, SOLVENT, SKYDROL RESISTANCE, AND FIRE RETARDANT
  - CONNECTOR: SMA FEMALE  
(OPTION: QMA, SMB, SMC, SSMA, SSBM, SSMC, MCX, MMCX)
- ENVIRONMENTAL:**
- TEMPERATURE: -67 °F TO +185 °F [-55 °C TO +85 °C]
  - VIBRATION: 70,000 ft.  
> 30 G's  
HERMETICALLY SEAL
- FEDERAL & MILITARY SPECIFICATIONS:**
- FAA TSO-C144, DO-160D, D0-228, MIL-C-5541, MIL-E-5400, MIL-I-45208A, MIL-STD-810, AND SAE J1455
- ACCEPTANCE TEST PROCEDURE:** ATP-GPS-L1L2-100

QTY	DESCRIPTION	PART NO	FINISH	REV
1	MAGNET COVER, Item 541g3	MAGNET-COVER-3		4
4	MOUNTING SCREWS: 4-40, 3/4"	MS24693-CB		3
4	MOUNTING SCREWS: 6-32, 3/4"	MS24693-C30		2
4	MOUNTING SCREWS: 10-32, 3/4"	MS24693C274		1

UNLESS OTHERWISE SPECIFIED	ANTCOM CORP.
FRACCTIONS ARE IN INCHES	TORRANCE CALIFORNIA
ANGLES ± 1°	3.7in. DIAMETER
TOLERANCE ± .010 PER ANSI Y14.5	FLUSH MAGNETIC MOUNT
BREAK EXTERNAL EDGES .005 TO .010	INMARSAT & GPS ANTENNA
SCREW THREADS PER MIL-S-8879	
DATA ON A COMMON 1/2" DIA. DRILL	
MACHINED SURFACES	
DO NOT SCALE DRAWING	

1. DIMENSIONS IN BRACKETS ARE IN MILLIMETERS [mm]  
 2. ALL SCREWS ARE SUPPLIED BY ANTCOM CORPORATION  
 NOTES: UNLESS OTHERWISE SPECIFIED:

**P/N: G8L-L1RxTxIN-3PMNS1**

GPS LNA OPTION:	CONNECTOR:	COLOR:
A: WITH LNA	S: SMA; Q: QMA; SMB; SMR: B: BNC	-1: GLOSS WHITE #17925 PER FED-STD-595B
P: WITHOUT LNA	M: MCX; MM: MMCX; MMR: MMCX-R	-2: LUSTERLESS GRAY #36320 PER FED-STD-595B
LNA GAIN: 24.0 dB	N: N; NB: N-Bullhead	-3: OLIVE DRAB GREEN #34094 PER FED-STD-595B
LNA NOISE FIGURE: 1.8 dB	T: TNC; TB: TNC-Bullhead	-4: LUSTERLESS BLACK #37038 PER FED-STD-595B
LNA P 1dB Out: +18 dBm	SMC, SSMC, SSBM, SSMA	-5: DESERT TAN #34446 PER FED-STD-595B
VOLTAGE CURRENT: (2.5-28) VDCI < 25mA		

NMO Connector is Now Available for Some Antennas