



FAA Approved Facility

# The BUOY II

## New High Performance Ruggedized Corrosion Resistant Pipe Mount GNSS Antenna

### P/N: G8Ant-3A4Q1-B2 Rev A

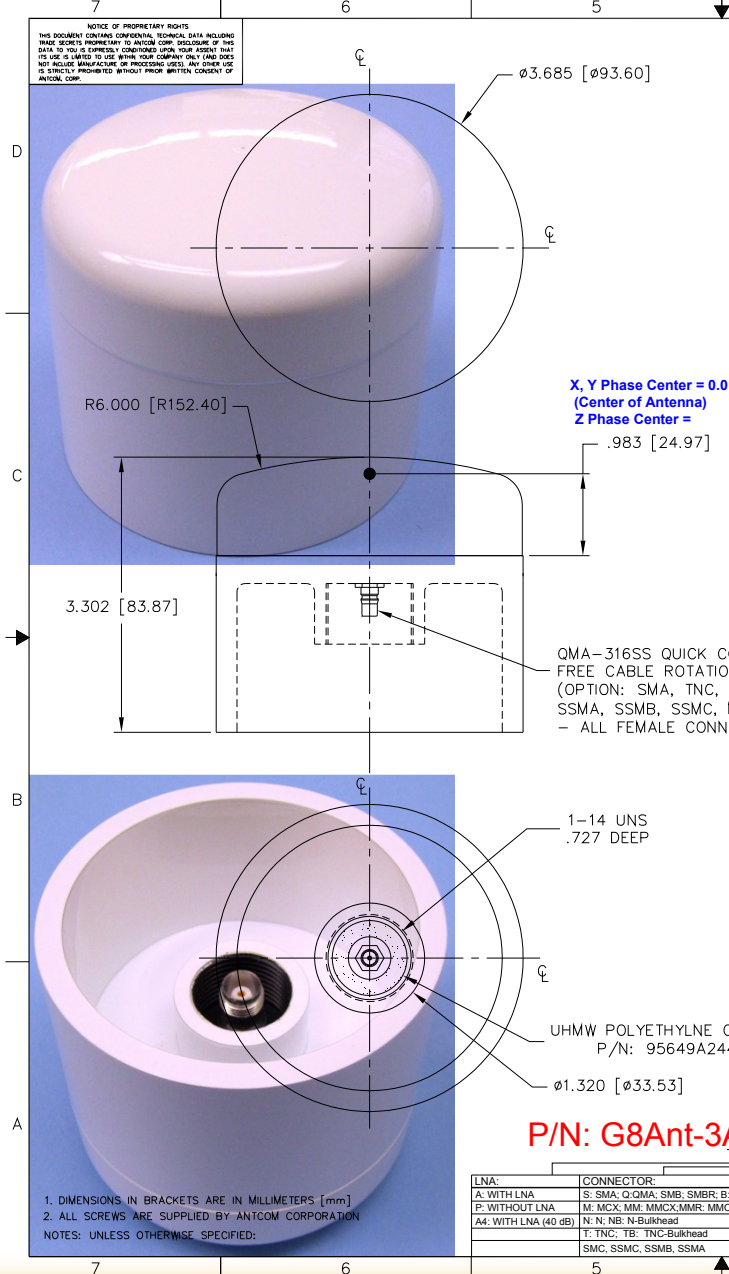
### For Marine and Ground Applications

Antenna Mounts/Adapters: <http://www.antcom.com/documents/catalogs/PeripheralAntennaProducts2.pdf>



ANTCOM CORPORATION . 367 Van Ness Way, Suite 602 . Torrance, CA 90501 . Tel: (310) 782-1076 . Fax: (310) 782-1086 . E-mail: [antennas@antcom.com](mailto:antennas@antcom.com) . <http://www.antcom.com>

“-HF” for High Iridium/Inmarsat/Thuraya-Rejection Front End Filter Option: **-22dB@1616MHz, -34dB@1625-1660MHz**  
“-HFO” for Additional Omnistar Rejection: **-27dB@1545MHz**



		REVISIONS																																																																																																																																																																																											
ZONE	REV	DESCRIPTION	DATE	APPROVED																																																																																																																																																																																									
<p><b>ELECTRICAL:</b></p> <table border="1"> <thead> <tr> <th></th> <th>L5 GPS E5, E5a, E5b Galileo L5 IRNSS</th> <th>L2 GPS B2 Compass</th> <th>L2 GLONASS E6 Galileo B3 Compass</th> <th>Omnistar / L-Band L6 Galileo B1 Compass</th> <th>L1 GPS E1, E2 Galileo L1 IRNSS</th> <th>L1 GLONASS</th> </tr> </thead> <tbody> <tr> <td>FREQUENCY:</td> <td>1176.45 ± 12 MHz 1164.45 - 1219.14 MHz 1176.45 ± 12 MHz</td> <td>1227.60 ± 12 MHz 1207.14 ± 10 MHz</td> <td>1242 - 1252 MHz 1266.75 - 1290.75 MHz 1268.52 ± 10 MHz</td> <td>1542.50 ± 14.0 MHz 1542.50 ± 5.0 MHz 1561.098 ± 10 MHz</td> <td>1575.42 ± 15.0 MHz 1575.42 ± 17.0 MHz 1575.42 ± 12.0 MHz</td> <td>1598 - 1609 MHz</td> </tr> <tr> <td>RADIATION PATTERN:</td> <td colspan="6">HEMISPHERICAL</td> </tr> <tr> <td>POLARIZATION:</td> <td>RHCP</td> <td>RHCP</td> <td>RHCP</td> <td>RHCP</td> <td>RHCP</td> <td>RHCP</td> </tr> <tr> <td>VSWR:</td> <td>&lt; 2.0:1</td> <td>&lt; 2.0:1</td> <td>&lt; 2.0:1</td> <td>&lt; 2.0:1</td> <td>&lt; 2.0:1</td> <td>&lt; 2.0:1</td> </tr> <tr> <td>IMPEDANCE:</td> <td>50 ohms</td> <td>50 ohms</td> <td>50 ohms</td> <td>50 ohms</td> <td>50 ohms</td> <td>50 ohms</td> </tr> <tr> <td>ANTENNA GAIN (dBic):</td> <td></td> <td></td> <td></td> <td></td> <td></td> <td></td> </tr> <tr> <td>@ 90° Above Horizon (Top):</td> <td>+ 0.2</td> <td>+ 1.3</td> <td>+ 1.4</td> <td>+ 4.1</td> <td>+ 4.9</td> <td>+ 5.0</td> </tr> <tr> <td>@ 15° Above Horizon:</td> <td>- 4.5</td> <td>- 3.8</td> <td>- 3.9</td> <td>- 3.9</td> <td>- 3.3</td> <td>- 3.1</td> </tr> <tr> <td>@ 20° Above Horizon:</td> <td>- 3.5</td> <td>- 2.9</td> <td>- 3.0</td> <td>- 3.1</td> <td>- 2.5</td> <td>- 2.3</td> </tr> <tr> <td>@ 25° Above Horizon:</td> <td>- 2.5</td> <td>- 2.0</td> <td>- 2.1</td> <td>- 2.3</td> <td>- 1.6</td> <td>- 1.5</td> </tr> <tr> <td>@ 30° Above Horizon:</td> <td>- 2.2</td> <td>- 1.7</td> <td>- 1.8</td> <td>- 1.5</td> <td>- 0.8</td> <td>- 0.7</td> </tr> <tr> <td>@ 70° Above Horizon:</td> <td>- 0.2</td> <td>+ 0.8</td> <td>+ 0.9</td> <td>+ 3.4</td> <td>+ 4.2</td> <td>+ 4.4</td> </tr> <tr> <td>BEAM WIDTH (3dB):</td> <td>124 Deg.</td> <td>120 Deg.</td> <td>120 Deg.</td> <td>80 Deg.</td> <td>80 Deg.</td> <td>80 Deg.</td> </tr> <tr> <td>AXIAL RATIO:</td> <td>1 dB</td> <td>1 dB</td> <td>1 dB</td> <td>1 dB</td> <td>1 dB</td> <td>1 dB</td> </tr> <tr> <td>MULTIPATH REJECTION (RHCP/LHCP):</td> <td></td> <td></td> <td></td> <td></td> <td></td> <td></td> </tr> <tr> <td>@ 90° Above Horizon (Top):</td> <td>34 dB</td> <td>32 dB</td> <td>30 dB</td> <td>26 dB</td> <td>28 dB</td> <td>29 dB</td> </tr> <tr> <td>@ 0° Above Horizon:</td> <td>8 dB</td> <td>7 dB</td> <td>8 dB</td> <td>18 dB</td> <td>12 dB</td> <td>11 dB</td> </tr> <tr> <td>@ 15° Above Horizon:</td> <td>14 dB</td> <td>15 dB</td> <td>14 dB</td> <td>16 dB</td> <td>14 dB</td> <td>12 dB</td> </tr> <tr> <td>@ 25° Above Horizon:</td> <td>19 dB</td> <td>19 dB</td> <td>17 dB</td> <td>17 dB</td> <td>15 dB</td> <td>15 dB</td> </tr> <tr> <td>LIGHTNING PROTECTION:</td> <td></td> <td></td> <td></td> <td>DC GROUNDING</td> <td></td> <td></td> </tr> <tr> <td>LNA GAIN:</td> <td>42 dB</td> <td>42 dB</td> <td>42 dB</td> <td>43 dB</td> <td>43 dB</td> <td>43 dB</td> </tr> <tr> <td>LNA NOISE FIGURE (With Filter):</td> <td>2.6 dBm</td> <td>2.6 dBm</td> <td>2.6 dBm</td> <td>2.9 dBm</td> <td>2.9 dBm</td> <td>2.9 dBm</td> </tr> <tr> <td>LNA P1dB Out:</td> <td>+10 dBm</td> <td>+10 dBm</td> <td>+10 dBm</td> <td>+10 dBm</td> <td>+10 dBm</td> <td>+10 dBm</td> </tr> <tr> <td>LNA DC POWER:</td> <td colspan="6">(3.3-24V)/&lt;50mA</td> </tr> <tr> <td>POWER HANDLING:</td> <td colspan="6">3 Watt CW (With Limiter)</td> </tr> </tbody> </table>									L5 GPS E5, E5a, E5b Galileo L5 IRNSS	L2 GPS B2 Compass	L2 GLONASS E6 Galileo B3 Compass	Omnistar / L-Band L6 Galileo B1 Compass	L1 GPS E1, E2 Galileo L1 IRNSS	L1 GLONASS	FREQUENCY:	1176.45 ± 12 MHz 1164.45 - 1219.14 MHz 1176.45 ± 12 MHz	1227.60 ± 12 MHz 1207.14 ± 10 MHz	1242 - 1252 MHz 1266.75 - 1290.75 MHz 1268.52 ± 10 MHz	1542.50 ± 14.0 MHz 1542.50 ± 5.0 MHz 1561.098 ± 10 MHz	1575.42 ± 15.0 MHz 1575.42 ± 17.0 MHz 1575.42 ± 12.0 MHz	1598 - 1609 MHz	RADIATION PATTERN:	HEMISPHERICAL						POLARIZATION:	RHCP	RHCP	RHCP	RHCP	RHCP	RHCP	VSWR:	< 2.0:1	< 2.0:1	< 2.0:1	< 2.0:1	< 2.0:1	< 2.0:1	IMPEDANCE:	50 ohms	50 ohms	50 ohms	50 ohms	50 ohms	50 ohms	ANTENNA GAIN (dBic):							@ 90° Above Horizon (Top):	+ 0.2	+ 1.3	+ 1.4	+ 4.1	+ 4.9	+ 5.0	@ 15° Above Horizon:	- 4.5	- 3.8	- 3.9	- 3.9	- 3.3	- 3.1	@ 20° Above Horizon:	- 3.5	- 2.9	- 3.0	- 3.1	- 2.5	- 2.3	@ 25° Above Horizon:	- 2.5	- 2.0	- 2.1	- 2.3	- 1.6	- 1.5	@ 30° Above Horizon:	- 2.2	- 1.7	- 1.8	- 1.5	- 0.8	- 0.7	@ 70° Above Horizon:	- 0.2	+ 0.8	+ 0.9	+ 3.4	+ 4.2	+ 4.4	BEAM WIDTH (3dB):	124 Deg.	120 Deg.	120 Deg.	80 Deg.	80 Deg.	80 Deg.	AXIAL RATIO:	1 dB	1 dB	1 dB	1 dB	1 dB	1 dB	MULTIPATH REJECTION (RHCP/LHCP):							@ 90° Above Horizon (Top):	34 dB	32 dB	30 dB	26 dB	28 dB	29 dB	@ 0° Above Horizon:	8 dB	7 dB	8 dB	18 dB	12 dB	11 dB	@ 15° Above Horizon:	14 dB	15 dB	14 dB	16 dB	14 dB	12 dB	@ 25° Above Horizon:	19 dB	19 dB	17 dB	17 dB	15 dB	15 dB	LIGHTNING PROTECTION:				DC GROUNDING			LNA GAIN:	42 dB	42 dB	42 dB	43 dB	43 dB	43 dB	LNA NOISE FIGURE (With Filter):	2.6 dBm	2.6 dBm	2.6 dBm	2.9 dBm	2.9 dBm	2.9 dBm	LNA P1dB Out:	+10 dBm	+10 dBm	+10 dBm	+10 dBm	+10 dBm	+10 dBm	LNA DC POWER:	(3.3-24V)/<50mA						POWER HANDLING:	3 Watt CW (With Limiter)					
	L5 GPS E5, E5a, E5b Galileo L5 IRNSS	L2 GPS B2 Compass	L2 GLONASS E6 Galileo B3 Compass	Omnistar / L-Band L6 Galileo B1 Compass	L1 GPS E1, E2 Galileo L1 IRNSS	L1 GLONASS																																																																																																																																																																																							
FREQUENCY:	1176.45 ± 12 MHz 1164.45 - 1219.14 MHz 1176.45 ± 12 MHz	1227.60 ± 12 MHz 1207.14 ± 10 MHz	1242 - 1252 MHz 1266.75 - 1290.75 MHz 1268.52 ± 10 MHz	1542.50 ± 14.0 MHz 1542.50 ± 5.0 MHz 1561.098 ± 10 MHz	1575.42 ± 15.0 MHz 1575.42 ± 17.0 MHz 1575.42 ± 12.0 MHz	1598 - 1609 MHz																																																																																																																																																																																							
RADIATION PATTERN:	HEMISPHERICAL																																																																																																																																																																																												
POLARIZATION:	RHCP	RHCP	RHCP	RHCP	RHCP	RHCP																																																																																																																																																																																							
VSWR:	< 2.0:1	< 2.0:1	< 2.0:1	< 2.0:1	< 2.0:1	< 2.0:1																																																																																																																																																																																							
IMPEDANCE:	50 ohms	50 ohms	50 ohms	50 ohms	50 ohms	50 ohms																																																																																																																																																																																							
ANTENNA GAIN (dBic):																																																																																																																																																																																													
@ 90° Above Horizon (Top):	+ 0.2	+ 1.3	+ 1.4	+ 4.1	+ 4.9	+ 5.0																																																																																																																																																																																							
@ 15° Above Horizon:	- 4.5	- 3.8	- 3.9	- 3.9	- 3.3	- 3.1																																																																																																																																																																																							
@ 20° Above Horizon:	- 3.5	- 2.9	- 3.0	- 3.1	- 2.5	- 2.3																																																																																																																																																																																							
@ 25° Above Horizon:	- 2.5	- 2.0	- 2.1	- 2.3	- 1.6	- 1.5																																																																																																																																																																																							
@ 30° Above Horizon:	- 2.2	- 1.7	- 1.8	- 1.5	- 0.8	- 0.7																																																																																																																																																																																							
@ 70° Above Horizon:	- 0.2	+ 0.8	+ 0.9	+ 3.4	+ 4.2	+ 4.4																																																																																																																																																																																							
BEAM WIDTH (3dB):	124 Deg.	120 Deg.	120 Deg.	80 Deg.	80 Deg.	80 Deg.																																																																																																																																																																																							
AXIAL RATIO:	1 dB	1 dB	1 dB	1 dB	1 dB	1 dB																																																																																																																																																																																							
MULTIPATH REJECTION (RHCP/LHCP):																																																																																																																																																																																													
@ 90° Above Horizon (Top):	34 dB	32 dB	30 dB	26 dB	28 dB	29 dB																																																																																																																																																																																							
@ 0° Above Horizon:	8 dB	7 dB	8 dB	18 dB	12 dB	11 dB																																																																																																																																																																																							
@ 15° Above Horizon:	14 dB	15 dB	14 dB	16 dB	14 dB	12 dB																																																																																																																																																																																							
@ 25° Above Horizon:	19 dB	19 dB	17 dB	17 dB	15 dB	15 dB																																																																																																																																																																																							
LIGHTNING PROTECTION:				DC GROUNDING																																																																																																																																																																																									
LNA GAIN:	42 dB	42 dB	42 dB	43 dB	43 dB	43 dB																																																																																																																																																																																							
LNA NOISE FIGURE (With Filter):	2.6 dBm	2.6 dBm	2.6 dBm	2.9 dBm	2.9 dBm	2.9 dBm																																																																																																																																																																																							
LNA P1dB Out:	+10 dBm	+10 dBm	+10 dBm	+10 dBm	+10 dBm	+10 dBm																																																																																																																																																																																							
LNA DC POWER:	(3.3-24V)/<50mA																																																																																																																																																																																												
POWER HANDLING:	3 Watt CW (With Limiter)																																																																																																																																																																																												

**MECHANICAL:**

SIZE: DIAMETER: 3.68 in. [93.6mm]  
HEIGHT: 3.3 in [83.9mm]

WEIGHT: 1.3lbs (.59kg)

FINISH: HARD BLACK ANODIZE PER MIL-A-8625F, TYPE III, CLASS 2 BASE WITH EPOXY PAINT OVER ENTIRE ANTENNA PER FED-STD-595B

MATERIAL: 6061-T6 ALUMINUM ALLOY BASE  
COMPOSITE RADOME, IMPACT, ABRASION, UV, SOLVENT, SKYDROL RESISTANCE, AND FIRE RETARDANT

CONNECTOR: QMA-316SS QUICK CONNECT, FREE CABLE ROTATION CONNECTOR (OPTION: SMA, TNC, QMA, SMB, SMC, SSMA, SSMB, SSMC, MCX, MMCX)

**ENVIRONMENTAL:**

TEMPERATURE: -67 °F TO +185 °F [-55 °C TO +85 °C]  
70,000 ft.

VIBRATION: > 30 G's  
HERMETICALLY SEAL

**FEDERAL & MILITARY SPECIFICATIONS:**

FAA TSO-C144, DO-160D, D0-228, MIL-C-5541, MIL-E-5400, MIL-I-45208A, MIL-STD-810, AND SAE J1455

**ACCEPTANCE TEST PROCEDURE:** ATP-GPS-L1L2-100

## P/N: G8Ant-3A4Q1-B2

LNA:	CONNECTOR:	COLOR:
A: WITH LNA	S: SMA; Q: QMA; SMB; SMR; B: BNC	-1: GLOSS WHITE #17925 PER FED-STD-595B
P: WITHOUT LNA	M: MCX; MM: MMCX; MMR: MMCX-R	-2: LUSTERLESS GRAY #36320 PER FED-STD-595B
N: N; NB: N-Bulkhead	T: TNC; TB: TNC-Bulkhead	-3: OLIVE DRAB GREEN #34094 PER FED-STD-595B
A4: WITH LNA (40 dB)	S: SMA; Q: QMA; SMB; SMR; B: BNC	-4: LUSTERLESS BLACK #37038 PER FED-STD-595B
		-5: DESERT TAN #33446 PER FED-STD-595B

QUANTITY	RECD	DESCRIPTION	PARTS LIST	PART NO	FINISH	ITEM NO
3		UHMW POLYETHYLENE GASKET, Item 553-TPM1		95649A244		1
						2

UNLESS OTHERWISE SPECIFIED DIMENSIONS ARE IN INCHES DECIMALS ARE TO 3 PLACES ANGLES ± 1/64 ± .015 ± .005		TOLERANCE ±.010 PER ANSI Y14.5	
ORIGINAL DRAWN	S. HUYNH Mar-24-09	REWORK ALL BURNS BREAK EXTERNAL EDGES .005 TO .015	
ORIGINAL DESIGNED	S. HUYNH Mar-24-09	SCREW THREADS PER MIL-S-8879	
DATE ON A COMMON S. OF 009		MACHINED SURFACES	
DO NOT SCALE DRAWING			

<b>ANTCOM CORP.</b> TORRANCE CALIFORNIA	
3.7in. DIAMETER SURVEY MOUNT 4 GNSS ANTENNA	
DATE	3CVE1
SCALE	1/1
SHEET	1 OF 1

NMO Connector Option is Now Available for Some Antennas