



FAA Approved Facility

Active L1/L2 GPS/Glonass/OmniStar + Quad-Band GSM/Wi-Fi Antenna, P/N: G5Ant-3BASRPSF1-GSM
Active L1 GPS/Glonass/OmniStar + Quad-Band GSM/Wi-Fi Antenna, P/N: G3Ant-3BASRPSF1-GSM
for Buoy, Marines, DeepSea, and Ground Applications



Antenna Mounts: http://www.antcom.com/documents/catalogs/PeripheralAntennaProducts2.pdf

ANTCOM CORPORATION . 367 Van Ness Way, Suite 602 . Torrance, CA 90501 . Tel: (310) 782-1076 . Fax: (310) 782-1086 . E-mail: antennas@antcom.com . http://www.antcom.com

Vertical text on the left side: '-HF' for High Iridium/Inmarsat/Thuraya-Rejection Front End Filter Option: -22dB@1616MHz, -34dB@1625-1660MHz, '-HFO' for Additional OmniStar/TerraStar Rejection: -27dB@1545MHz

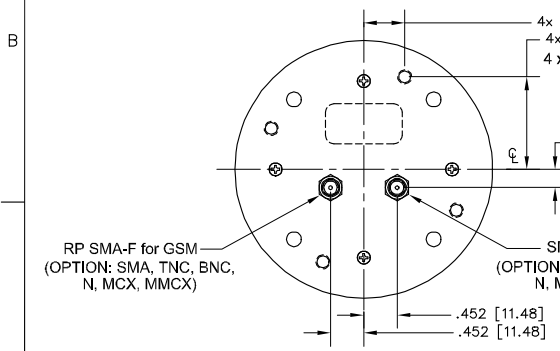
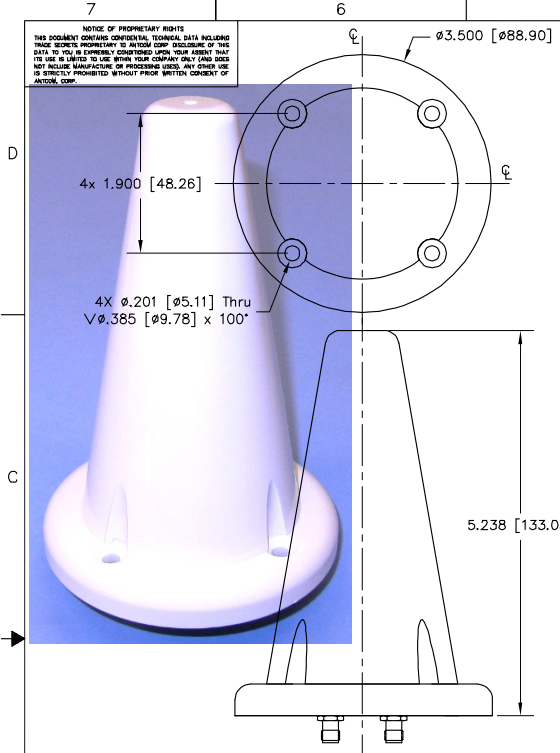


Table with columns for ELECTRICAL and MECHANICAL specifications. Includes sections for FREQUENCY, RADIATION PATTERN, POLARIZATION, IMPEDANCE, ANTENNA GAIN, BEAM WIDTH, LIGHTNING PROTECTION, and DC GROUNDING.

MECHANICAL: SIZE: DIAMETER: 3.50 in. [88.90 mm] HEIGHT: 5.24 in. [133.05 mm] WEIGHT: 12.4 oz. (351 g) FINISH: SKYDROL RESISTANT POLYURETHANE ENAMEL BASE IRIDITE PER MIL-C-5541F CLASS 1A GLOSS WHITE #17925 PER FED-STD-595B COLOR: 6061-T6 ALUMINUM ALLOY BASE MATERIAL: COMPOSITE RADOME, IMPACT, ABRASION, UV, SOLVENT, SKYDROL RESISTANCE, AND FIRE RETARDANT CONNECTOR: SMA FEMALE / RP SMA FEMALE (OPTION: SMA, TNC, BNC, N, MCX, MMCX)

ENVIRONMENTAL: TEMPERATURE: -67 °F TO +185 °F [-55 °C TO +85 °C] (Operational) -85 °F TO +302 °F [-65 °C TO +150 °C] (Storage) ALTITUDE: 70,000 ft. VIBRATION: > 30 G's LEAKAGE: HERMETICALLY SEAL HAILSTONES: < 0.5\"/>

FEDERAL & MILITARY SPECIFICATIONS: DESIGN TO: FAA TSO-C144, DO-160D, D0-228, MIL-C-5541, MIL-E-5400, MIL-I-45208A, MIL-STD-810, AND SAE J1455

Table with 4 columns: QTY, DESCRIPTION, PART NO, ITEM NO. Includes parts like PANHEAD SCREW and O-Ring or GASKET.

Table with columns: SIZE, LNA, CABLE'S LENGTH, GPS/GSM CONNECTOR, COLOR, and other technical details. Includes part number P/N: G5Ant-3BASRPSF1-GSM.

NMO Connector Option is Now Available for Some Antennas