



FAA Approved Facility

Antcom's G5 Antenna, Active L1/L2 Glonass + L1/L2 GPS + OmniStar/TerraStar Antenna, P/N: G5Ant-1AXMNXX

P/N: G5Ant-1A36MNR SMB4 (36in. Cable, Right Angle SMB, Black) P/N: G5Ant-1A100MNT1 (100in. Cable, TNC Male, White)

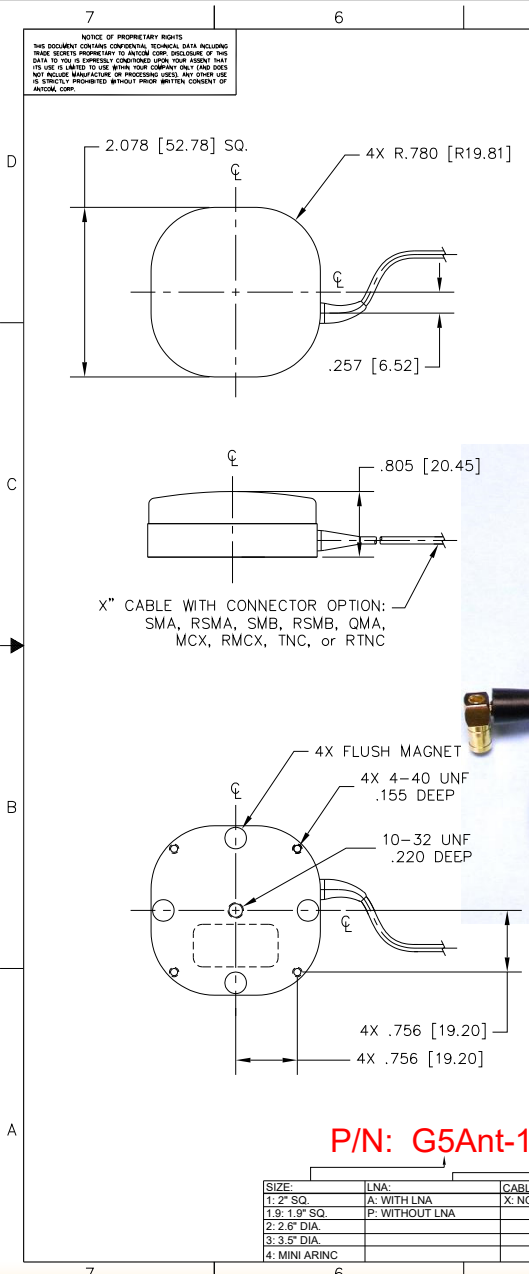
2in Square Magnetic/Bottom Mount Configuration. Other Connector/Cable and Color Are Available

Antenna Mounts: http://www.antcom.com/documents/catalogs/PeripheralAntennaProducts2.pdf



ANTCOM CORPORATION . 367 Van Ness Way, Suite 602 . Torrance, CA 90501 . Tel: (310) 782-1076 . Fax: (310) 782-1086 . E-mail: antennas@antcom.com . http://www.antcom.com

“-HF” for High Iridium/Inmarsat/Thuraya-Rejection Front End Filter Option: -22dB@1616MHz, -34dB@(1625-1660)MHz “-HFO” for Additional OmniStar/TerraStar Rejection: -27dB@1545MHz



P/N: G5Ant-1AXMNXX

Table with columns: SIZE, LNA, CABLE'S LENGTH, CONNECTOR, COLOR. Includes options like 'WITH LNA', 'WITHOUT LNA', 'SMA', 'TNC', 'RMTNC', etc.

SPECIFICATIONS

Table with columns: ELECTRICAL, MECHANICAL, ENVIRONMENTAL, FEDERAL & MILITARY SPECIFICATIONS, DESIGN TO, ACCEPTANCE TEST PROCEDURE. Includes frequency ranges, gain, radiation pattern, and environmental limits.

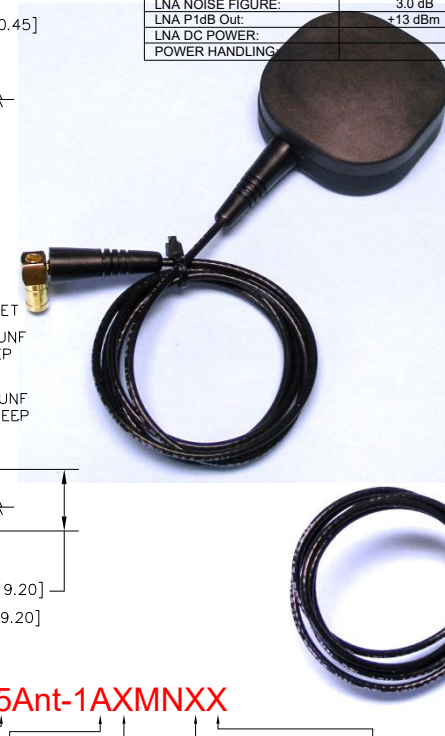


Table with columns: QUANTITY, DESCRIPTION, PART NO, FINISH, ITEM NO. Includes a parts list for an adhesive gasket and a revision table.