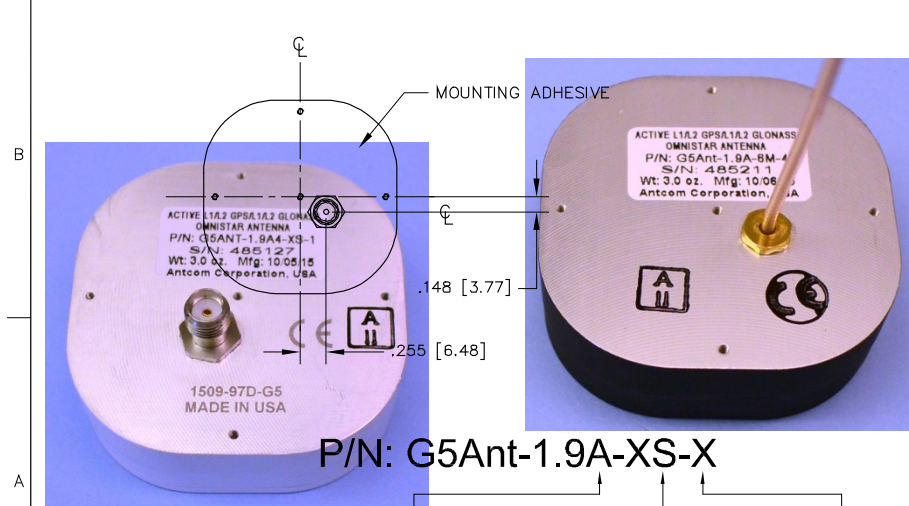
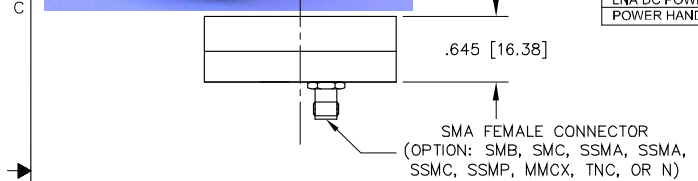
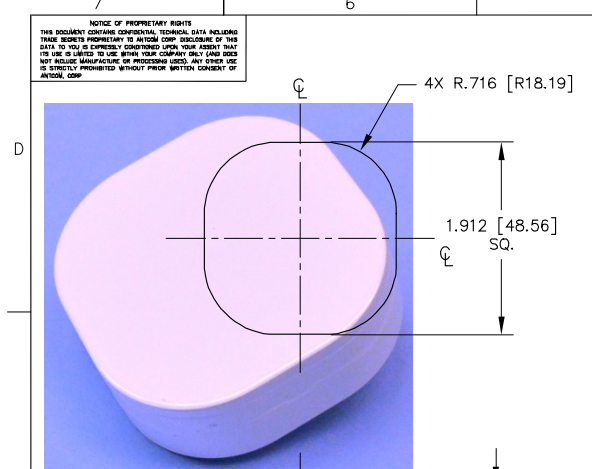


"-HF" for High Iridium/Inmarsat/Thuraya-Rejection Front End Filter Option: -22dB@1616MHz, -34dB@1625-1660MHz
 "-HFO" for Additional OmniStar/TerraStar Rejection: -27dB@1545MHz



P/N: G5Ant-1.9A-XS-X

SIZE: 1: 2" SQ. 1.9: 1.9" SQ. 2: 2.6" DIA. 3: 3.5" DIA. 4: MINI ARINC	LNA: A: WITH LNA (33 dB) A2: WITH LNA (20 dB) A4: WITH LNA (40 dB) P: WITHOUT LNA	MALE CONNECTOR: S: SMA; Q: QMA; P: PINS M: MCX; MM: MMCX, SMB SSMA, SSMC, SSMC, SSMP T, TB: TNC, TNC-Bulkhead X: X in. CABLE	COLOR: -1: GLOSS WHITE #17925 PER FED-STD-595B -2: LUSTERLESS GRAY #36320 PER FED-STD-595B -3: CAMO GREEN #34094 PER FED-STD-595B -4: LUSTERLESS BLACK #37038 PER FED-STD-595B -5: DESERT TAN #33446 PER FED-STD-595B
---	--	--	---

ELECTRICAL:		SPECIFICATIONS												
		REVISIONS												
		ZONE	REV	DESCRIPTION								DATE	APPROVED	
FREQUENCY:		L5 GPS E5, E5a, E5b, Galileo L5 IRNSS	L2 GPS B2 Compass	L2 GLONASS E6 Galileo B3 Compass	OmniSTAR / L-Band L6 Galileo B1 Compass	L1 GPS E1, E2 Galileo L1 IRNSS	L1 GLONASS							
		1176.45 ± 12.0 MHz 1164.45 - 1219.14 MHz 1176.45 ± 15.0 MHz	1227.60 ± 12.0 MHz 1207.14 ± 10.0 MHz	1252.50 ± 7.5 MHz 1266.75 - 1290.75 MHz 1268.52 ± 10.0 MHz	1542.50 ± 14.0 MHz 1542.50 ± 5.0 MHz 1561.098 ± 10.0 MHz	1575.42 ± 15.0 MHz 1575.42 ± 17.0 MHz 1575.42 ± 12.0 MHz	1609 ± 7.0 MHz							
RADIATION PATTERN:		HEMISPHERICAL												
POLARIZATION:		RHCP	RHCP	RHCP	RHCP	RHCP	RHCP							
VSWR:		< 2.0:1	< 2.0:1	< 2.0:1	< 2.0:1	< 2.0:1	< 2.0:1							
IMPEDANCE:		50 ohms	50 ohms	50 ohms	50 ohms	50 ohms	50 ohms							
ANTENNA GAIN (dBi):		Free Space	5in G.P	Free Space	5in G.P	Free Space	5in G.P	Free Space	5in G.P	Free Space	5in G.P	Free Space	5in G.P	
@ 90° (ZENITH):		- 7	- 3	+ 0.5	+ 3	- 0.8	+ 2.3	+ 1.9	+ 1.0	+ 4.1	+ 3.2	+ 2.0	+ 2.6	
@ 10° Elevation:		- 13	- 10	- 5.6	- 4.1	- 7.1	- 5.0	- 5.0	- 5.7	- 2.8	- 3.2	- 5.1	- 4.2	
@ 20° Elevation:		- 11	- 9	- 3.9	- 2.7	- 5.4	- 3.3	- 3.9	- 3.9	- 1.9	- 1.6	- 4.1	- 2.6	
@ 30° Elevation:		- 10	- 8	- 2.6	- 0.8	- 4.3	- 1.5	- 2.6	- 3.0	- 0.4	- 0.6	- 2.6	- 1.4	
@ 60 - 90° Elevation:		> - 8	> - 5	> - 1	> 1.8	> - 2.4	> 1.2	> + 0.8	> + 0.2	> 2.9	> + 2.5	> + 0.8	> + 1.8	
BEAM WIDTH (3dB):		105 Deg.	100 Deg.	105 Deg.	105 Deg.	90 Deg.	90 Deg.	95 Deg.	97 Deg.	95 Deg.	100 Deg.	95 Deg.	100 Deg.	
AXIAL RATIO:		1.5 dB	3 dB	1 dB	1 dB	1 dB	1 dB	1 dB	1 dB	1 dB	1 dB	2 dB	2 dB	
LIGHTNING PROTECTION:		DC GROUNDING												
LNA GAIN:		35 dB	35 dB	35 dB	33 dB	32 dB	31 dB							
LNA NOISE FIGURE:		3.0 dB	3.0 dB	3.0 dB	3.0 dB	3.0 dB	3.0 dB							
LNA P1dB Out:		+13 dBm	+13 dBm	+13 dBm	+13 dBm	+13 dBm	+13 dBm							
LNA DC POWER:		2.5V/20mA, 3V/29mA, 3.3V/35mA, (2.5-24V)/<50mA												
POWER HANDLING:		1 Watt CW, Optional: 10 Watts 1 Microsec Pulse (-AL-)												

- MECHANICAL:**
- SIZE:** LENGTH = 1.912 in. [48.56 mm], WIDTH = 1.912 in. [48.56 mm]
HEIGHT: 0.645 in. [16.38 mm]
 - WEIGHT:** 2.96 oz. (84 g)
 - FINISH:** SKYDROL RESISTANT POLYURETHANE ENAMEL
BASE IRIDITE PER MIL-C-5541
 - MATERIAL:** 6061-T6 ALUMINUM ALLOY BASE
COMPOSITE RADOME, IMPACT, ABRASION, UV, SOLVENT,
SKYDROL RESISTANCE, AND FIRE RETARDANT
 - CONNECTOR:** SMA FEMALE
(OPTION: SMB, SMC, SSMA, SSMA, SSMC, SSMP
MMCX, TNC, OR N)
- ENVIRONMENTAL:**
- TEMPERATURE:** -67 °F TO +185 °F [-55 °C TO +85 °C]
 - ALTITUDE:** 70,000 ft.
 - VIBRATION:** > 30 G's
 - LEAKAGE:** HERMETICALLY SEAL
- FEDERAL & MILITARY SPECIFICATIONS:**
- DESIGN TO:** FAA TSO-C144, DO-160D, D0-228, MIL-C-5541,
MIL-E-5400, MIL-I-45208A, MIL-STD-810, AND SAE J1455
- ACCEPTANCE TEST PROCEDURE:** ATP-GPS-L1L2-100

1	1	ADHESIVE GASKET	12345G-3M-1G	-	-	-	2
-2	-1	DESCRIPTION	PART NO	SPECIFICATION	MATERIAL	FINISH	REV
QUANTITY REQ							
PARTS LIST							
UNLESS OTHERWISE SPECIFIED DIMENSIONS ARE IN INCHES FRACTIONS: 1/16, 1/8, 3/16, 1/2, 5/8, 3/4, 7/8 DECIMALS: .005, .010, .015, .020, .030, .040, .050, .060, .070, .080, .090, .100 TOLERANCE 5VW PER ANSI Y14.5 REMOVE ALL BURRS BREAK EXTERNAL EDGES .006 TO .010 FILLET R .010 TO R .015 SOCKET THREADS PER MIL-S-8879 DIA'S ON A CROWN @ 20° ANGLE MACHINED SURFACES DO NOT SCALE DRAWING				ORIGINALLY DRAWN: S. HUYNH July-09-15 ORIGINALLY DESIGNED: S. HUYNH July-09-15 UPDATED: S. HUYNH Sept-22-15 UPDATE DRAWN: P. TRAN Sept-22-15 APPROVED: S. HUYNH Sept-22-15		ANTCOM CORP. TORRANCE CALIFORNIA 1.9in Square, L1/L2 Glonass + L1/L2 GPS + OmniStar G5 ANTENNA D3CVE1 G5Ant-1.9A-XS-X SCALE 1/1 SHEET 1 OF 1	

NMO Connector Option is Now Available for Some Antennas