



FAA Approved Facility

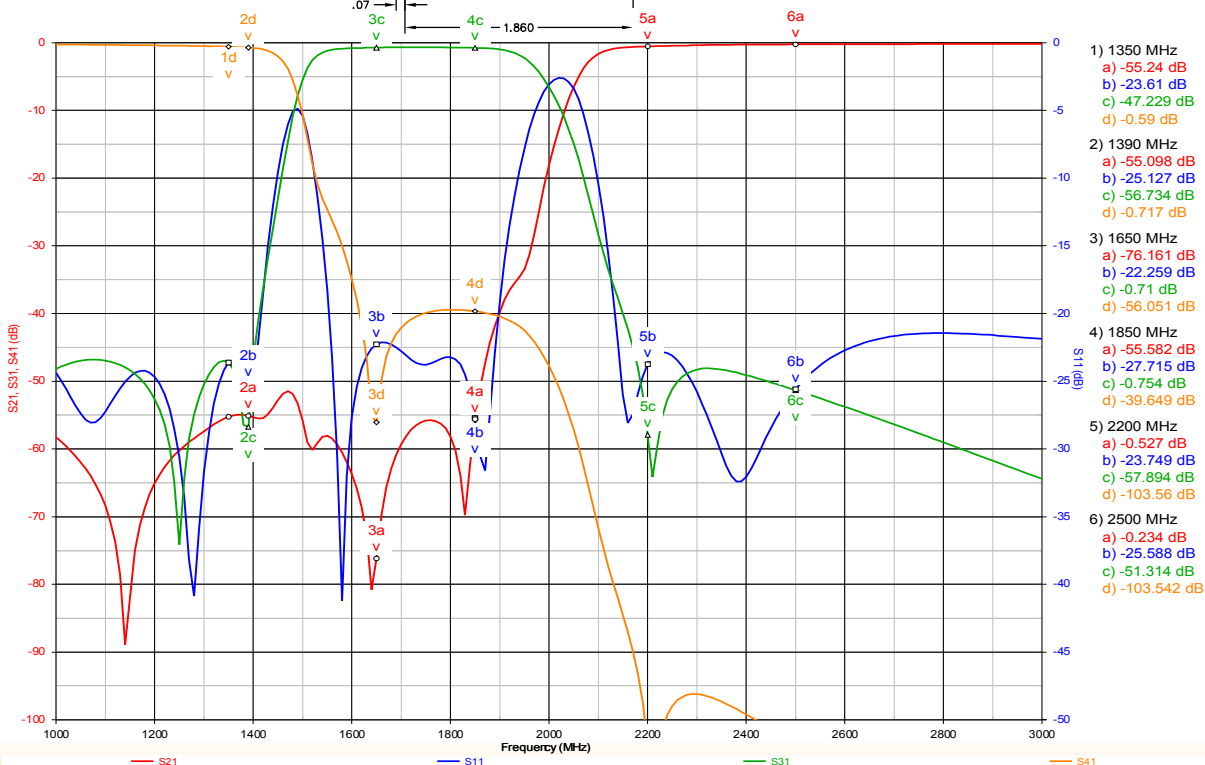
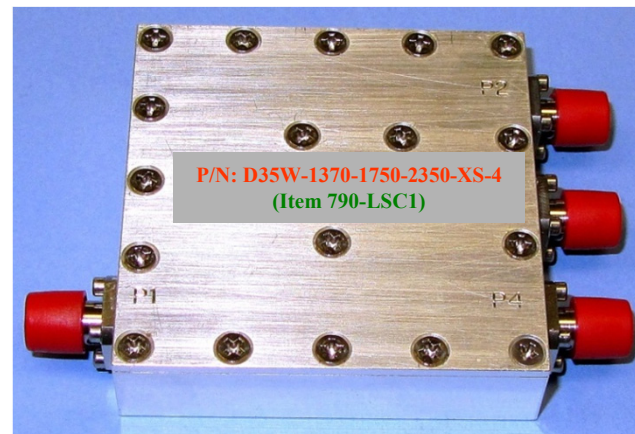
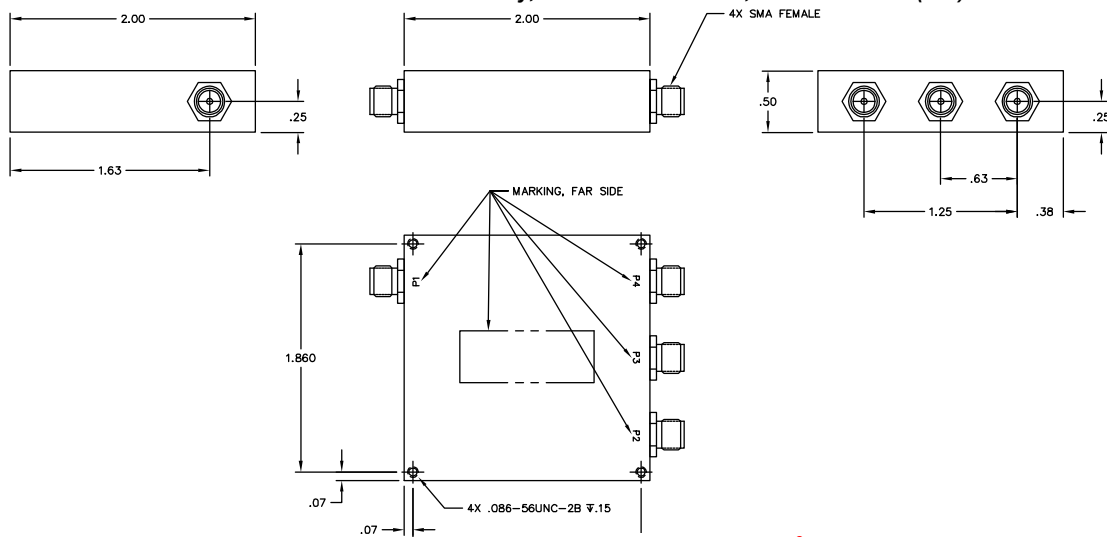
# L/S/C1-Band Triplexer

## Antcom's P/N: D35W-1370-1750-2350-XS-4



Antenna Mounts/Adapters: <http://www.antcom.com/documents/catalogs/PeripheralAntennaProducts2.pdf>

ANTCOM CORPORATION . 367 Van Ness Way, Suite 602 . Torrance, CA 90501 . Tel: (310) 782-1076 . Fax: (310) 782-1086 . E-mail: [antennas@antcom.com](mailto:antennas@antcom.com) . <http://www.antcom.com>



**NOTES:**

- MATERIAL: AL ALY.
- FINISH: SILVER PLATE.
- ELECTRICAL SPECIFICATIONS:
  - CHANNEL P2:**
    - PASSBAND = 1350 TO 1390 MHz
    - PASSBAND I.L. = 1.0 dB MAX FROM 1350 TO 1390 MHz
    - PASSBAND VSWR = 2:1 MAX
    - 24 dBc MIN FROM 1650 TO 1850 MHz
  - CHANNEL P3:**
    - PASSBAND = 1650 TO 1850 MHz
    - PASSBAND I.L. = 1.0 dB MAX FROM 1650 TO 1850 MHz
    - PASSBAND VSWR = 2:1 MAX
    - 24 dBc MIN FROM 1350 TO 1390 MHz AND FROM 2200 TO 2500 MHz
  - CHANNEL P4:**
    - PASSBAND = 2200 TO 2500 MHz
    - PASSBAND I.L. = 1.0 dB MAX FROM 2200 TO 2500 MHz
    - PASSBAND VSWR = 2:1 MAX
    - 24 dBc MIN FROM 1650 TO 1850 MHz
- ENVIRONMENTAL SPECIFICATIONS:
  - OPERATING TEMPERATURE RANGE: 0° TO +60°C.
  - NON-OPERATING TEMPERATURE RANGE: -40° TO +85°C.
  - VIBRATION: MIL-STD-810F, METHOD 514.5, PROCEDURE I, CATEGORY 2, SHIPPING AND HANDLING.
  - SHOCK: MIL-STD-810F, METHOD 516.5, PROCEDURE VI