



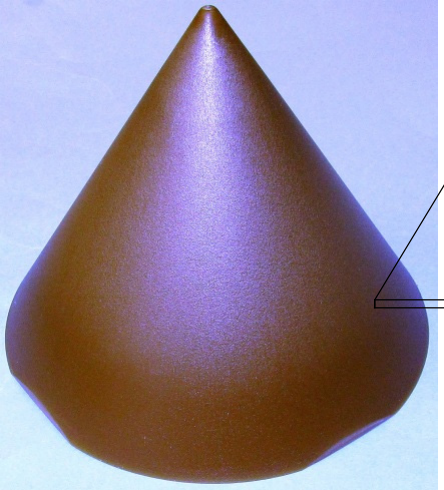
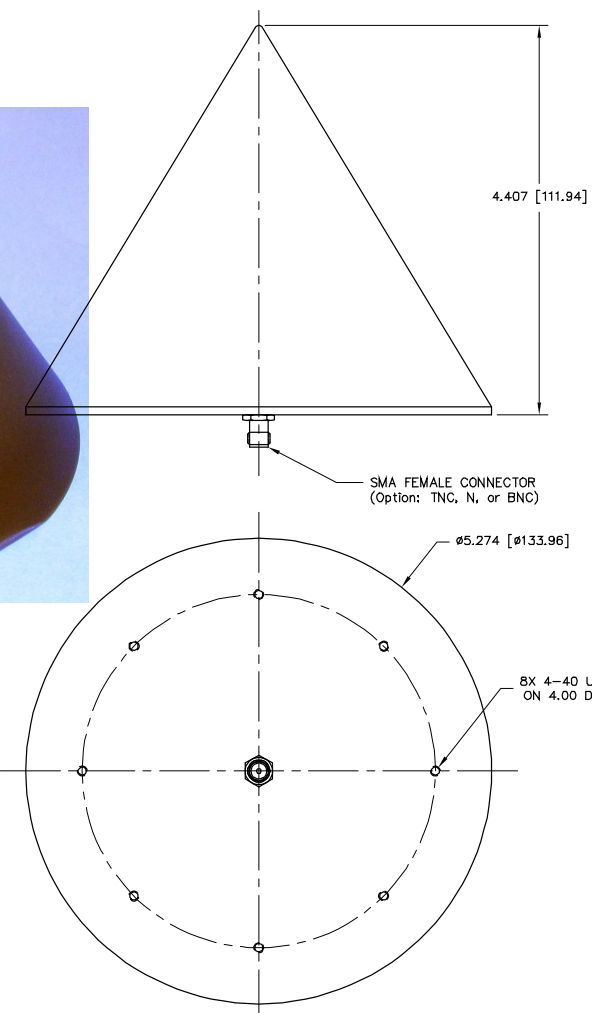
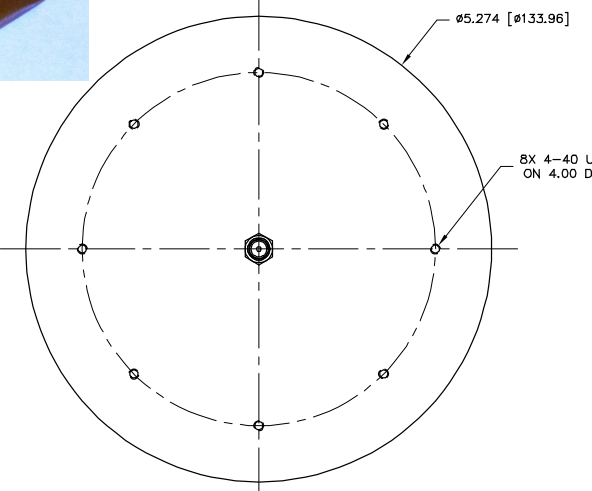
FAA Approved Facility

(0.7-8.0) GHz Conical Spiral Antenna, P/N: ConicalSpiral-1-8-X-X-R (LHCP)  
 P/N: ConicalSpiral-1-8-X-X-L (RHCP)  
 (5.27" Dia. X 4.41" Height), Back Mount Configuration

Antenna Mounts: <http://www.antcom.com/documents/catalogs/PeripheralAntennaProducts2.pdf>



ANTCOM CORPORATION . 367 Van Ness Way, Suite 602 . Torrance, CA 90501 . Tel: (310) 782-1076 . Fax: (310) 782-1086 . E-mail: [antennas@antcom.com](mailto:antennas@antcom.com) . <http://www.antcom.com>

6	5	4	3	2	1																																																																																																								
NOTICE OF PROPRIETARY RIGHTS THIS DOCUMENT CONTAINS CONFIDENTIAL TECHNICAL DATA INCLUDING TRADE SECRETS PROPRIETARY TO ANTCOM CORP. DISCLOSURE OF THIS DATA TO YOU IS EXPRESSLY CONDITIONED UPON YOUR ASSENT THAT ITS USE IS LIMITED TO USE WITHIN YOUR COMPANY ONLY AND DOES NOT INCLUDE MANUFACTURE OR PROCESSING USES. ANY OTHER USE IS STRICTLY PROHIBITED WITHOUT PRIOR WRITTEN CONSENT OF ANTCOM CORP.																																																																																																													
		<p>P/N: ConicalSpiral-1-8-X-X-R</p> <table border="1" style="font-size: 8px; width: 100%;"> <tr> <td>FREQUENCY:</td> <td>FEMALE CONNECTOR:</td> <td>COLOR:</td> </tr> <tr> <td>0.7-8 GHz</td> <td>S: SMA</td> <td>-1: GLOSS WHITE #17925 PER FED-STD-595B</td> </tr> <tr> <td></td> <td>N: N: BNC</td> <td>-2: LUSTERLESS GRAY #36320 PER FED-STD-595B</td> </tr> <tr> <td></td> <td></td> <td>-3: OLIVE DRAB GREEN #34094 PER FED-STD-595B</td> </tr> <tr> <td></td> <td></td> <td>-4: LUSTERLESS BLACK #37038 PER FED-STD-595B</td> </tr> <tr> <td></td> <td></td> <td>-5: DESERT TAN #33446 PER FED-STD-595B</td> </tr> </table>		FREQUENCY:	FEMALE CONNECTOR:	COLOR:	0.7-8 GHz	S: SMA	-1: GLOSS WHITE #17925 PER FED-STD-595B		N: N: BNC	-2: LUSTERLESS GRAY #36320 PER FED-STD-595B			-3: OLIVE DRAB GREEN #34094 PER FED-STD-595B			-4: LUSTERLESS BLACK #37038 PER FED-STD-595B			-5: DESERT TAN #33446 PER FED-STD-595B	<b>SPECIFICATIONS</b> <table border="1" style="font-size: 8px; width: 100%;"> <thead> <tr> <th colspan="2">ELECTRICAL:</th> </tr> </thead> <tbody> <tr> <td>FREQUENCY:</td> <td>(0.7 - 8.0) GHz</td> </tr> <tr> <td>PATTERN:</td> <td>HEMISPHERICAL</td> </tr> <tr> <td>POLARIZATION:</td> <td>LHCP</td> </tr> <tr> <td>ANTENNA GAIN (dBic):</td> <td>Free Space 12 in G.P.</td> </tr> <tr> <td>0.70 GHz:</td> <td>+2.8 -3.7</td> </tr> <tr> <td>0.75 GHz:</td> <td>+2.1 +1.2</td> </tr> <tr> <td>0.80 GHz:</td> <td>+1.4 +0.5</td> </tr> <tr> <td>0.85 GHz:</td> <td>+3.5 +4.1</td> </tr> <tr> <td>0.90 GHz:</td> <td>+3.3 +5.8</td> </tr> <tr> <td>0.95 GHz:</td> <td>+5.8 +8.9</td> </tr> <tr> <td>1.0 GHz:</td> <td>+3.3 +8.7</td> </tr> <tr> <td>1.70 GHz:</td> <td>+3.6 +4.8</td> </tr> <tr> <td>1.80 GHz:</td> <td>+3.7 +3.0</td> </tr> <tr> <td>1.90 GHz:</td> <td>+3.6 +3.9</td> </tr> <tr> <td>2.0 GHz:</td> <td>+4.2 +4.5</td> </tr> <tr> <td>2.1 GHz:</td> <td>+3.9 +4.5</td> </tr> <tr> <td>2.2 GHz:</td> <td>+5.3 +4.5</td> </tr> <tr> <td>2.3 GHz:</td> <td>+4.8 +4.3</td> </tr> <tr> <td>2.4 GHz:</td> <td>+4.6 +5.2</td> </tr> <tr> <td>2.5 GHz:</td> <td>+5.0 +8.7</td> </tr> <tr> <td>2.6 GHz:</td> <td>+5.3 +8.2</td> </tr> <tr> <td>2.7 GHz:</td> <td>+4.5 +7.4</td> </tr> <tr> <td>4.0 GHz:</td> <td>+3.5 +4.9</td> </tr> <tr> <td>8.0 GHz:</td> <td>+3.8 +6.9</td> </tr> <tr> <td>BEAM WIDTH (3dB):</td> <td>(70 to 120) Degrees</td> </tr> <tr> <td>VSWR:</td> <td>2.7:1</td> </tr> <tr> <td>OUTPUT IMPEDANCE:</td> <td>50Ω</td> </tr> <tr> <td>POWER HANDLING:</td> <td>50 Watts</td> </tr> <tr> <td>AXIAL RATIO:</td> <td>3dB</td> </tr> </tbody> </table> <table border="1" style="font-size: 8px; width: 100%;"> <thead> <tr> <th colspan="2">MECHANICAL:</th> </tr> </thead> <tbody> <tr> <td>SIZE:</td> <td>Height: &lt;4.407in [108.81mm], Dia: 5.3 in [135mm]</td> </tr> <tr> <td>WEIGHT:</td> <td>&lt;8.89oz. (252 g)</td> </tr> <tr> <td>FINISH:</td> <td>NATURAL MATTE</td> </tr> <tr> <td>MATERIAL:</td> <td>THERMOSET PLASTIC RADOME, UV, ABRASION AND SKYDROL RESISTANCE</td> </tr> <tr> <td>CONNECTOR:</td> <td>SMA FEMALE (OPTION: TNC, N, or BNC)</td> </tr> <tr> <td>MARKING:</td> <td>62065-1010920-01 Rev A MFR-24930 S/N:xxxxx</td> </tr> </tbody> </table> <table border="1" style="font-size: 8px; width: 100%;"> <thead> <tr> <th colspan="2">ENVIRONMENTAL:</th> </tr> </thead> <tbody> <tr> <td>TEMPERATURE:</td> <td>-67°F TO +185°F [-55°C TO +85°C]</td> </tr> <tr> <td>ALTITUDE:</td> <td>70,000 ft.</td> </tr> <tr> <td>VIBRATION:</td> <td>12 G's</td> </tr> </tbody> </table> <table border="1" style="font-size: 8px; width: 100%;"> <thead> <tr> <th colspan="2">FEDERAL &amp; MILITARY SPECIFICATIONS:</th> </tr> </thead> <tbody> <tr> <td>DESIGN TO:</td> <td>DO-160D, MIL-C-5541, MIL-E-5400, MIL-I-45208A, AND MIL-STD-810</td> </tr> </tbody> </table>		ELECTRICAL:		FREQUENCY:	(0.7 - 8.0) GHz	PATTERN:	HEMISPHERICAL	POLARIZATION:	LHCP	ANTENNA GAIN (dBic):	Free Space 12 in G.P.	0.70 GHz:	+2.8 -3.7	0.75 GHz:	+2.1 +1.2	0.80 GHz:	+1.4 +0.5	0.85 GHz:	+3.5 +4.1	0.90 GHz:	+3.3 +5.8	0.95 GHz:	+5.8 +8.9	1.0 GHz:	+3.3 +8.7	1.70 GHz:	+3.6 +4.8	1.80 GHz:	+3.7 +3.0	1.90 GHz:	+3.6 +3.9	2.0 GHz:	+4.2 +4.5	2.1 GHz:	+3.9 +4.5	2.2 GHz:	+5.3 +4.5	2.3 GHz:	+4.8 +4.3	2.4 GHz:	+4.6 +5.2	2.5 GHz:	+5.0 +8.7	2.6 GHz:	+5.3 +8.2	2.7 GHz:	+4.5 +7.4	4.0 GHz:	+3.5 +4.9	8.0 GHz:	+3.8 +6.9	BEAM WIDTH (3dB):	(70 to 120) Degrees	VSWR:	2.7:1	OUTPUT IMPEDANCE:	50Ω	POWER HANDLING:	50 Watts	AXIAL RATIO:	3dB	MECHANICAL:		SIZE:	Height: <4.407in [108.81mm], Dia: 5.3 in [135mm]	WEIGHT:	<8.89oz. (252 g)	FINISH:	NATURAL MATTE	MATERIAL:	THERMOSET PLASTIC RADOME, UV, ABRASION AND SKYDROL RESISTANCE	CONNECTOR:	SMA FEMALE (OPTION: TNC, N, or BNC)	MARKING:	62065-1010920-01 Rev A MFR-24930 S/N:xxxxx	ENVIRONMENTAL:		TEMPERATURE:	-67°F TO +185°F [-55°C TO +85°C]	ALTITUDE:	70,000 ft.	VIBRATION:	12 G's	FEDERAL & MILITARY SPECIFICATIONS:		DESIGN TO:	DO-160D, MIL-C-5541, MIL-E-5400, MIL-I-45208A, AND MIL-STD-810
FREQUENCY:	FEMALE CONNECTOR:	COLOR:																																																																																																											
0.7-8 GHz	S: SMA	-1: GLOSS WHITE #17925 PER FED-STD-595B																																																																																																											
	N: N: BNC	-2: LUSTERLESS GRAY #36320 PER FED-STD-595B																																																																																																											
		-3: OLIVE DRAB GREEN #34094 PER FED-STD-595B																																																																																																											
		-4: LUSTERLESS BLACK #37038 PER FED-STD-595B																																																																																																											
		-5: DESERT TAN #33446 PER FED-STD-595B																																																																																																											
ELECTRICAL:																																																																																																													
FREQUENCY:	(0.7 - 8.0) GHz																																																																																																												
PATTERN:	HEMISPHERICAL																																																																																																												
POLARIZATION:	LHCP																																																																																																												
ANTENNA GAIN (dBic):	Free Space 12 in G.P.																																																																																																												
0.70 GHz:	+2.8 -3.7																																																																																																												
0.75 GHz:	+2.1 +1.2																																																																																																												
0.80 GHz:	+1.4 +0.5																																																																																																												
0.85 GHz:	+3.5 +4.1																																																																																																												
0.90 GHz:	+3.3 +5.8																																																																																																												
0.95 GHz:	+5.8 +8.9																																																																																																												
1.0 GHz:	+3.3 +8.7																																																																																																												
1.70 GHz:	+3.6 +4.8																																																																																																												
1.80 GHz:	+3.7 +3.0																																																																																																												
1.90 GHz:	+3.6 +3.9																																																																																																												
2.0 GHz:	+4.2 +4.5																																																																																																												
2.1 GHz:	+3.9 +4.5																																																																																																												
2.2 GHz:	+5.3 +4.5																																																																																																												
2.3 GHz:	+4.8 +4.3																																																																																																												
2.4 GHz:	+4.6 +5.2																																																																																																												
2.5 GHz:	+5.0 +8.7																																																																																																												
2.6 GHz:	+5.3 +8.2																																																																																																												
2.7 GHz:	+4.5 +7.4																																																																																																												
4.0 GHz:	+3.5 +4.9																																																																																																												
8.0 GHz:	+3.8 +6.9																																																																																																												
BEAM WIDTH (3dB):	(70 to 120) Degrees																																																																																																												
VSWR:	2.7:1																																																																																																												
OUTPUT IMPEDANCE:	50Ω																																																																																																												
POWER HANDLING:	50 Watts																																																																																																												
AXIAL RATIO:	3dB																																																																																																												
MECHANICAL:																																																																																																													
SIZE:	Height: <4.407in [108.81mm], Dia: 5.3 in [135mm]																																																																																																												
WEIGHT:	<8.89oz. (252 g)																																																																																																												
FINISH:	NATURAL MATTE																																																																																																												
MATERIAL:	THERMOSET PLASTIC RADOME, UV, ABRASION AND SKYDROL RESISTANCE																																																																																																												
CONNECTOR:	SMA FEMALE (OPTION: TNC, N, or BNC)																																																																																																												
MARKING:	62065-1010920-01 Rev A MFR-24930 S/N:xxxxx																																																																																																												
ENVIRONMENTAL:																																																																																																													
TEMPERATURE:	-67°F TO +185°F [-55°C TO +85°C]																																																																																																												
ALTITUDE:	70,000 ft.																																																																																																												
VIBRATION:	12 G's																																																																																																												
FEDERAL & MILITARY SPECIFICATIONS:																																																																																																													
DESIGN TO:	DO-160D, MIL-C-5541, MIL-E-5400, MIL-I-45208A, AND MIL-STD-810																																																																																																												
<table border="1" style="font-size: 8px; width: 100%;"> <tr> <td>1</td> <td>-</td> <td>-</td> <td>-</td> <td>-</td> <td>-</td> <td>1</td> </tr> <tr> <td>-1</td> <td>DESCRIPTION</td> <td>PART NO</td> <td>SPECIFICATION</td> <td>MATERIAL</td> <td>FINISH</td> <td>ITEM NO</td> </tr> <tr> <td colspan="2">QUANTITY REQD</td> <td colspan="4">PARTS LIST</td> <td></td> </tr> <tr> <td colspan="2">UNLESS OTHERWISE SPECIFIED DIMENSIONS ARE IN INCHES</td> <td colspan="2">TOLERANCES ARE</td> <td colspan="2">ANGLES</td> <td></td> </tr> <tr> <td>FRACTIONS</td> <td>DECIMALS</td> <td colspan="2"></td> <td colspan="2"></td> <td></td> </tr> <tr> <td>± 1/64</td> <td>.xxx .015</td> <td colspan="2">± 1°</td> <td colspan="2"></td> <td></td> </tr> <tr> <td colspan="2">TOLERANCE SYM PER ANSI Y14.5</td> <td colspan="2">REMOVE ALL BURRS</td> <td colspan="2">BREAK EXTERNAL EDGES .005 TO .015</td> <td></td> </tr> <tr> <td colspan="2"></td> <td colspan="2">FILETS R .005 TO R .030</td> <td colspan="2">SCREW THREADS PER MIL-S-8879</td> <td></td> </tr> <tr> <td colspan="2"></td> <td colspan="2">DIA'S ON A COMMON</td> <td colspan="2">± .005</td> <td></td> </tr> <tr> <td colspan="2"></td> <td colspan="2">MACHINED SURFACES</td> <td colspan="2">125</td> <td></td> </tr> <tr> <td colspan="2"></td> <td colspan="4">DO NOT SCALE DRAWING</td> <td></td> </tr> </table>		1	-	-	-	-	-	1	-1	DESCRIPTION	PART NO	SPECIFICATION	MATERIAL	FINISH	ITEM NO	QUANTITY REQD		PARTS LIST					UNLESS OTHERWISE SPECIFIED DIMENSIONS ARE IN INCHES		TOLERANCES ARE		ANGLES			FRACTIONS	DECIMALS						± 1/64	.xxx .015	± 1°					TOLERANCE SYM PER ANSI Y14.5		REMOVE ALL BURRS		BREAK EXTERNAL EDGES .005 TO .015					FILETS R .005 TO R .030		SCREW THREADS PER MIL-S-8879					DIA'S ON A COMMON		± .005					MACHINED SURFACES		125					DO NOT SCALE DRAWING					<table border="1" style="font-size: 8px; width: 100%;"> <tr> <td colspan="2" style="text-align: center;"><b>ANTCOM CORP.</b> TORRANCE CALIFORNIA</td> </tr> <tr> <td>ORIGINALLY DRAWN</td> <td>S. HUYNH May-08-12</td> </tr> <tr> <td>ORIGINALLY DESIGNED</td> <td>S. HUYNH May-08-12</td> </tr> <tr> <td>UPDATED</td> <td>S. HUYNH June-14-13</td> </tr> <tr> <td>UPDATE DRAWN</td> <td>P. TRAN June-14-13</td> </tr> <tr> <td>APPROVED</td> <td>S. HUYNH June-14-13</td> </tr> </table> <table border="1" style="font-size: 8px; width: 100%;"> <tr> <td>SIZE</td> <td>CAGE NO</td> <td>DRAWING NO</td> <td>REV</td> </tr> <tr> <td>D</td> <td>3CVE1</td> <td>ConicalSpiral-1-8-X-X-R</td> <td>A</td> </tr> <tr> <td colspan="2">SCALE 1/1</td> <td colspan="2">SHEET 1 OF 1</td> </tr> </table>		<b>ANTCOM CORP.</b> TORRANCE CALIFORNIA		ORIGINALLY DRAWN	S. HUYNH May-08-12	ORIGINALLY DESIGNED	S. HUYNH May-08-12	UPDATED	S. HUYNH June-14-13	UPDATE DRAWN	P. TRAN June-14-13	APPROVED	S. HUYNH June-14-13	SIZE	CAGE NO	DRAWING NO	REV	D	3CVE1	ConicalSpiral-1-8-X-X-R	A	SCALE 1/1		SHEET 1 OF 1						
1	-	-	-	-	-	1																																																																																																							
-1	DESCRIPTION	PART NO	SPECIFICATION	MATERIAL	FINISH	ITEM NO																																																																																																							
QUANTITY REQD		PARTS LIST																																																																																																											
UNLESS OTHERWISE SPECIFIED DIMENSIONS ARE IN INCHES		TOLERANCES ARE		ANGLES																																																																																																									
FRACTIONS	DECIMALS																																																																																																												
± 1/64	.xxx .015	± 1°																																																																																																											
TOLERANCE SYM PER ANSI Y14.5		REMOVE ALL BURRS		BREAK EXTERNAL EDGES .005 TO .015																																																																																																									
		FILETS R .005 TO R .030		SCREW THREADS PER MIL-S-8879																																																																																																									
		DIA'S ON A COMMON		± .005																																																																																																									
		MACHINED SURFACES		125																																																																																																									
		DO NOT SCALE DRAWING																																																																																																											
<b>ANTCOM CORP.</b> TORRANCE CALIFORNIA																																																																																																													
ORIGINALLY DRAWN	S. HUYNH May-08-12																																																																																																												
ORIGINALLY DESIGNED	S. HUYNH May-08-12																																																																																																												
UPDATED	S. HUYNH June-14-13																																																																																																												
UPDATE DRAWN	P. TRAN June-14-13																																																																																																												
APPROVED	S. HUYNH June-14-13																																																																																																												
SIZE	CAGE NO	DRAWING NO	REV																																																																																																										
D	3CVE1	ConicalSpiral-1-8-X-X-R	A																																																																																																										
SCALE 1/1		SHEET 1 OF 1																																																																																																											
6	5	4	3	2	1																																																																																																								