

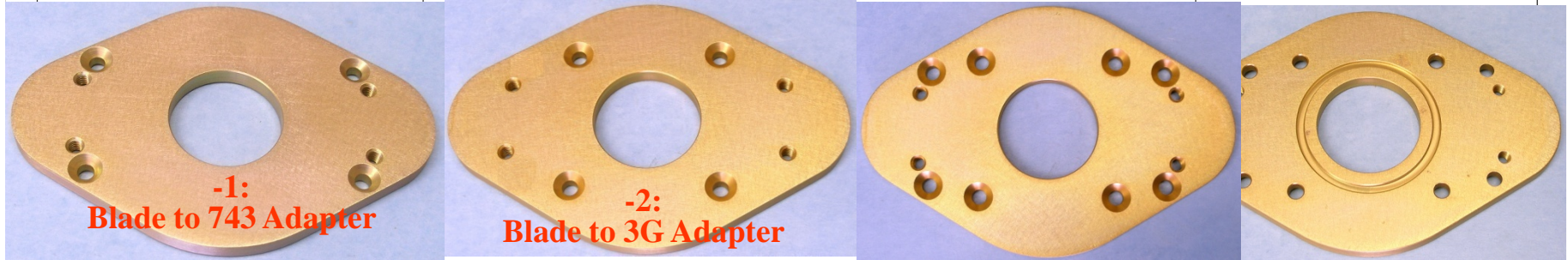
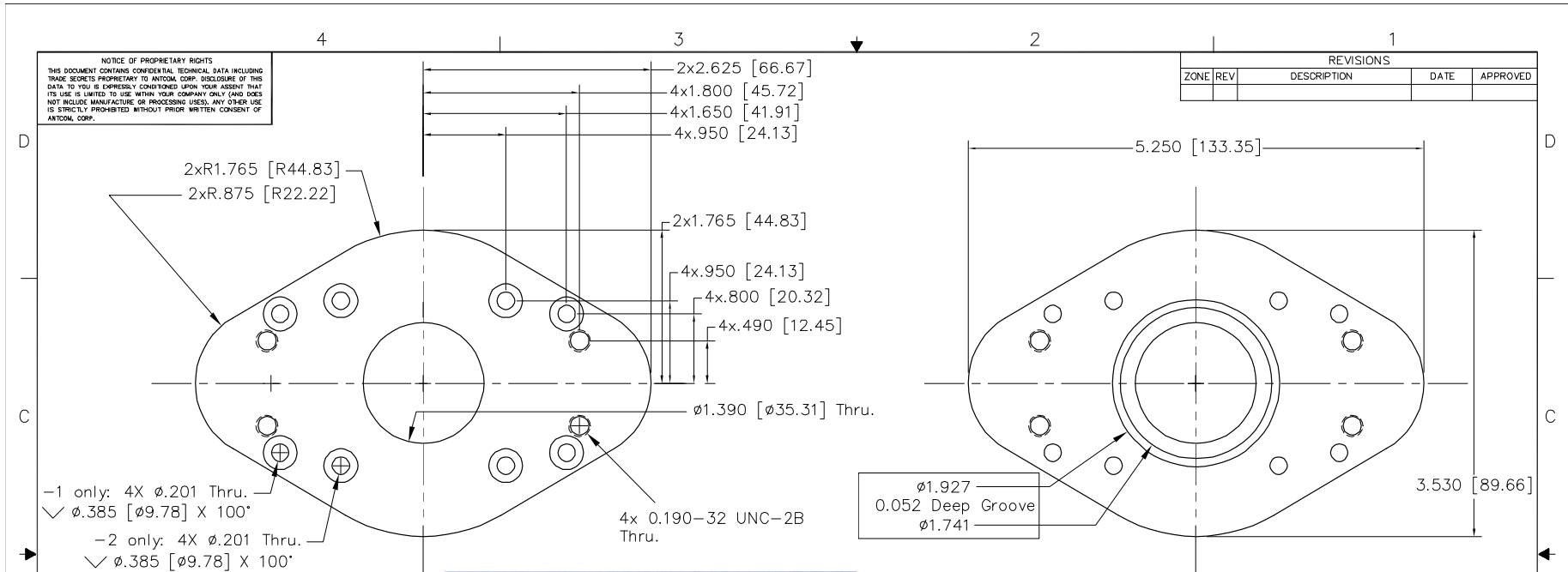


Blade (5B, S5B) to 3G, or 42G(743) Adapter Plate
P/N: Blade-to-3G-42G-743-Adapter (Item 509bn): Common
P/N: Blade-to-3G-42G-743-Adapter-1 (Item 509b1): Blade to 743 Mounting Adapter
P/N: Blade-to-3G-42G-743-Adapter-2 (Item 509b2): Blade to 3G Mounting Adapter



Stainless Steel: DFARS 252-225-7014/316 Passivated; Chem. Film (MIL-C-5541F, Class 1A); Anodizing (MIL-A-8625F, Type II Class II)

ANTCOM CORPORATION . 367 Van Ness Way, Suite 602 . Torrance, CA 90501 . Tel: (310) 782-1076 . Fax: (310) 782-1086 . E-mail: antennas@antcom.com . http://www.antcom.com



QTY REQD	DESCRIPTION	PART NO	SPECIFICATION	MATERIAL	ITEM NO
1	Adapter			Aluminum 6061, 0.250 THICK, Chem Film	1

PARTS LIST

UNLESS OTHERWISE SPECIFIED DIMENSIONS ARE IN INCHES		TOLERANCES ARE:	
FRACTIONS	DECIMALS	ANGLES	
\pm 1/64	.XX# .015	\pm 1'	
	.XXX# .005		

ANTCOM CORP. TORRANCE CALIFORNIA

5B, S5B (Blade) to 3G
42G (743) Adapter Plate -1/-2

APPROVED	S. Huynh	DATE	April-20-06	REV	
CAD FILE NO		SIZE	C	DRAWING NO	3CVE1
DO NOT SCALE DRAWING		SCALE	1/1	WT MAX	

SHEET 1 OF 1