

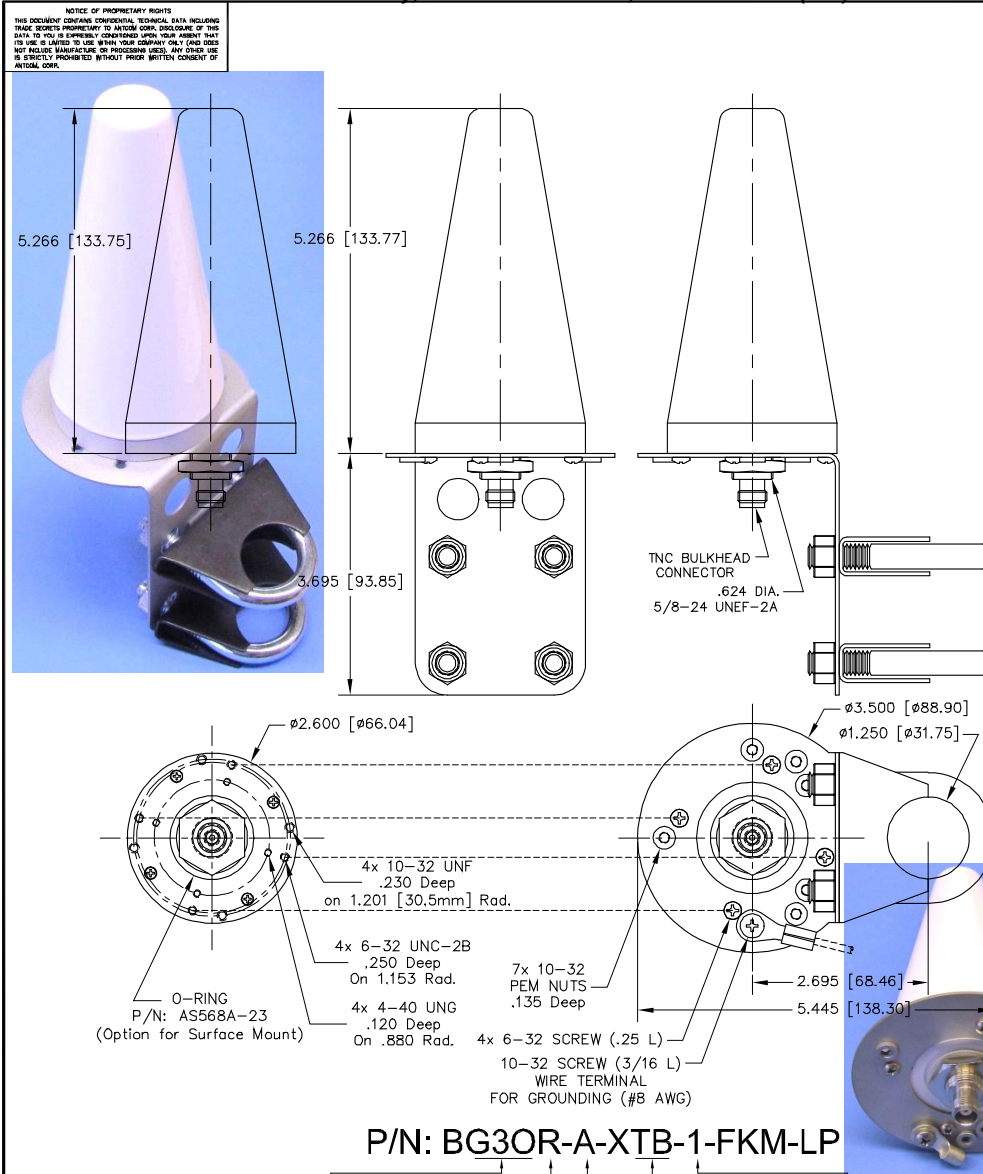


New Infinite Balance 1/2 Wave Length Quadrifilar Helix L1 GPS/Glonass Timing Antenna, P/N: BG3OR-A-XTB-1-FKM-LP
 for More Gain, High Multipath Rejection & Broader 194deg Beamwidth for Timing, Buoy, Marines, Ground and Weather Station App.
 with High Iridium/Inmarsat/Thuraya-Rejection Front Filters (10dB@1616MHz, 32dB@1625MHz, 48dB@1640MHz, 65db@1660MHz)
 with High Power Front End Limiter Suitable for High Interference Environment
 with Lightning Protection Compliance Per EN61000-4-5 Level 4

Available in L1GPS, L1GPS/Glonass, L1/L2GPS, L1/L2GPS/Glonass, L1/L2GPS/Glonass/Omnistar and Other GNSS Bands



ANTCOM CORPORATION . 367 Van Ness Way, Suite 602 . Torrance, CA 90501 . Tel: (310) 782-1076 . Fax: (310) 782-1086 . E-mail: antennas@antcom.com . http://www.antcom.com



ELECTRICAL:	SPECIFICATIONS	
	L1 GPS E1, E2 Galileo L1 IRNSS	L1 GLONASS
FREQUENCY:	1575.42 ± 15.0 MHz 1575.42 ± 17.0 MHz 1575.42 ± 12.0 MHz	1598 - 1609 MHz
RADIATION PATTERN:	HEMISPHERICAL	
POLARIZATION:	RHCP	
VSWR:	< 2.0:1	
IMPEDANCE:	50 ohms	
ANTENNA GAIN (dBi):		
@ 90° Above Horizon (Top):	+ 0.1	
@ 15° Above Horizon:	- 0.7	
@ 20° Above Horizon:	- 0.5	
@ 25° Above Horizon:	- 0.2	
@ 30° Above Horizon:	- 0.1	
@ 70° Above Horizon:	- 1.0	
BEAM WIDTH (3dB):	194 Deg.	
AXIAL RATIO:	1 dB	
MULTIPATH REJECTION (RHCP/LHCP):		
@ 90° Above Horizon (Top):	19 dB	
@ 15° Above Horizon:	12 dB	
@ 25° Above Horizon:	14 dB	
DC GROUNDING:	YES	
LIGHTNING PROTECTION COMPLIANCE:	PER EN61000-4-5 LEVEL 4	
LNA GAIN (OPTION):	33 dB	
LNA NOISE FIGURE:	3.5 dB	
LNA P1dB Out:	+13 dBm	
LNA DC POWER:	(+2.4 TO +5) Vdc DC / (15 TO 30) mA	
FRONT FILTER REJECTION @ (-50/+50) MHz:	<-41 dB / -59 dB	
@ (-100/+100) MHz:	<-65 dB	
FRONT END HIGH POWER LIMITER:	BUILT-IN	
ANTENNA PROPAGATION DELAY:	23 ns	

MECHANICAL:

SIZE: DIAMETER: 2.60in. [66 mm]
 HEIGHT: 5.266 in. [133 mm]
 WEIGHT: < 8oz. (226g)
 FINISH: HERMETICALLY SEAL & TEFLON COATED
 MATERIAL: 6061-T6 ALUMINUM ALLOY BASE & RUGGEDIZED RADOME IMPACT, ABRASION, UV, SOLVENT, SKYDROL, CORROSION RESISTANCE, AND FIRE RETARDANT
 CONNECTOR: TNC FEMALE BULKHEAD (OPTION: TNC-BK, F, SMA, BNC, N, MCX, MMCX)

ENVIRONMENTAL:

TEMPERATURE: -95 °F TO +194 °F [-70 °C TO +90 °C]
 -700ft to +70,000 ft. (for -U-FKM-U-TPM, from Mounting Surface)
 VIBRATION: 30 G's
 HERMETICALLY SEAL

FEDERAL & MILITARY SPECIFICATIONS:

FAA TSO-C144, DO-160D, DO-228, MIL-C-5541, MIL-E-5400, MIL-I-45208A, MIL-STD-810, MIL-STD-461E/F, AND SAE J1465

ACCEPTANCE TEST PROCEDURE: ATP-GPS-L1L2-100

QTY REQD	DESCRIPTION	PART NO	ITEM NO
1	WIRE TERMINAL, #8 AWG	McMASTER P/N: 7113K241, Item 521-LP	5
4	PAN HEAD SCREW, 6-32, .25" L	McMASTER P/N 91400A144, Item 586-IN	4
1	PAN HEAD SCREW, 10-32, 3/16" L	McMASTER P/N: 91772A824, Item 46-p2	3
1	MTR Mount, VERTICAL/ HORIZONTAL	MTR-LP REV E, Item 482-316LP	2
1	O-RING (For Surface Mount)	McMASTER P/N: AS568A-23, Item 553-23	1

FREQUENCY (GHz):	POLARIZATION:	LNA:	FEMALE CONNECTOR:	COLOR:
IN: Inmarsat/Iridium/L1GPS/Glonass (RHCP); IR2/Iridium/L1GPS/Glonass (RHCP) T: Thuraya/Tx Globalstar (LHCP); G: Tx only Globalstar (LHCP)	R: RHCP L: LHCP	P: WITHOUT LNA A: WITH LNA (33dB)	T: TNC; TB: TNC-Bulkhead; B: BNC S: SMA; SMB; SMBR; MCX M: MMCX; N: N-Bulkhead; Q: QMA	-1: GLOSS WHITE #17925 PER FED-STD-595B PAINT -2: LUSTERLESS GRAY #36320 PER FED-STD-595B PAINT -3: OLIVE DRAB GREEN #34094 PER FED-STD-595B PAINT -4: LUSTERLESS BLACK #37038 PER FED-STD-595B PAINT -5: TAN # FS 23446 or 33446, FED-STD-595 PAINT
L1: L1 GPS Only; G3: L1 GPS/GLONASS/L-Band/B1; L1L2: L1/L2 GPS only G5: L1/L2 GPS/GLONASS/L-Band/B1/B3/B2/L5	V: Vertical H: Horizontal	A2: WITH LNA (20dB) A4: WITH LNA (40 dB)	SMC, SSMC, SSMB, SSMA TNC: TNC-Bulkhead with Lightning Protection to BNC	
L01: QUAD-BAND (GSM/PCS/L-Band/Locata/Wi-Fi/S/C-Band)				

ANTCOM CORP. TORRANCE CALIFORNIA

Active G3 GPS Timing Antenna

DATE: 30VE1 DRAWING NO: BG3OR-A-XTB-1-FKM-LP REV: 1

SCALE: 1/1 SHEET: 1 OF 1