



ISO 9001:2008/FAA Approved Facility

**RHCP S/C-Band OMNI Antenna**  
**P/N: 9BR-S-CRR-XSS-2-3dB (S/C-Band, 2 Connectors)**  
**P/N: 9BR-SR-XS-2-3dB (S-Band, 1 Center Connector)**

Other Frequencies, Polarization, and Mounting Foot Prints Are Available

Antenna Mounts/Adapters: <http://www.antcom.com/documents/catalogs/PeripheralAntennaProducts2.pdf>



FAA Approved  
TSO Antennas

ANTCOM CORPORATION . 367 Van Ness Way, Suite 602 . Torrance, CA 90501, USA . Tel: (310) 782-1076 . Fax: (310) 782-1086 . E-mail: [antennas@antcom.com](mailto:antennas@antcom.com) . <http://www.antcom.com>

**SPECIFICATIONS**

ZONE REV		REVISIONS		
DESCRIPTION	DATE	APPROVED		

**ELECTRICAL:**

	S-Band (2.3-2.5)	C-Band (5.1-5.3)
FREQUENCY (GHz):	(2.3-2.5)	(5.1-5.3)
RADIATION PATTERN:	OMNIDIRECTIONAL	
POLARIZATION:	RHCP	
ANTENNA GAIN (1ft GP):	3 dB	3 dB
VSWR:	2.0:1	
OUTPUT IMPEDANCE:	50 Ω	
POWER HANDLING:	>50 watts	

**MECHANICAL:**

**SIZE:** DIAMETER = 3.50 in. [88.90 mm]  
 HEIGHT = 8.783 in. [223.09 mm]

**WEIGHT:** 5.40 oz. (153 g)

**FINISH:** TEFLON NATURAL WHITE OR SKYDROL RESISTANT POLYURETHANE ENAMEL  
 BASE IRIDITE PER MIL-C-5541F

**COLOR:** TEFLON NATURAL WHITE  
 LUSTERLESS GRAY #36320 PER FED-STD-595B  
 OLIVE DRAB GREEN #34031 PER FED-STD-595B  
 LUSTERLESS BLACK #37038 PER FED-STD-595B

**MATERIAL:** 6061-T6 ALUMINUM ALLOY BASE  
 COMPOSITE RADOME, IMPACT, ABRASION, UV, SOLVENT,  
 AND SKYDROL RESISTANCE, FIRE RETARDANT

**CONNECTOR:** SMA-FEMALE  
 (OPTION: TNC, N, N Bulkhead, MCX, MMCX, or Cable)

**ENVIRONMENTAL:**

**TEMPERATURE:** -67 °F TO +185 °F [-55 °C TO +85 °C]

**ALTITUDE:** 70,000 ft.

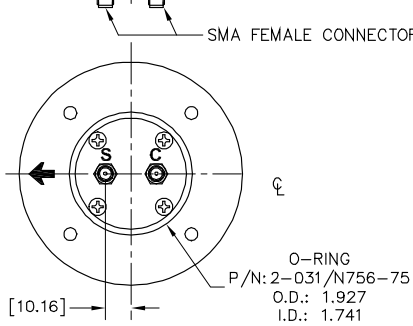
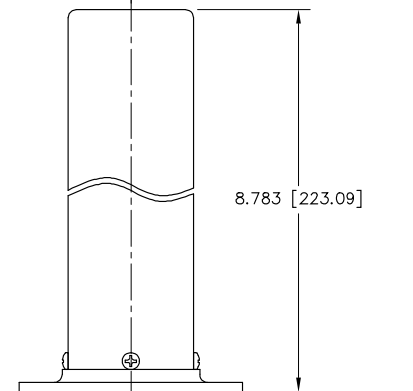
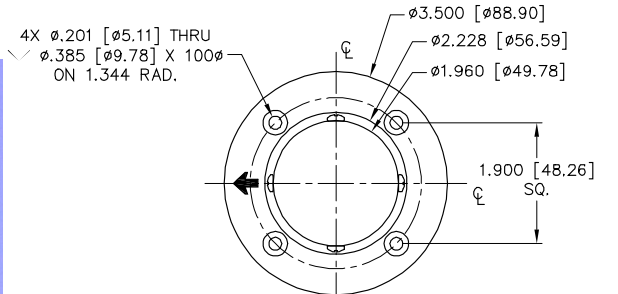
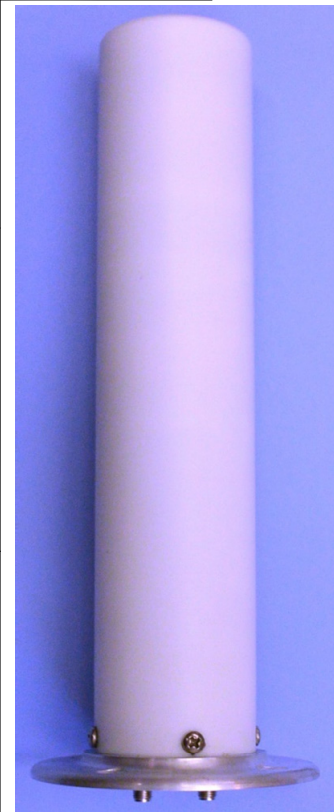
**VIBRATION:** > 30 G's

**LEAKAGE:** HERMETICALLY SEAL

**FEDERAL & MILITARY SPECIFICATIONS:**

**DESIGN TO:** FAA TSO-C144, DO-160D, D0-228, MIL-C-5541,  
 MIL-E-5400, MIL-I-45208A, MIL-STD-810, AND SAE J1455

**NOTICE OF PROPRIETARY RIGHTS**  
 THIS DOCUMENT CONTAINS CONFIDENTIAL, TECHNICAL DATA INCLUDING TRADE SECRETS PROPRIETARY TO ANTCOM CORP. DISCLOSURE OF THIS DATA BY YOU TO ANY OTHER PERSONS OTHER THAN ANTCOM CORP. IS STRICTLY PROHIBITED WITHOUT PRIOR WRITTEN CONSENT OF ANTCOM CORP.



**P/N: 9BR-S-CRR-XSS-2-3dB**

S/C-BAND POLARIZATION:	CABLE'S LENGTH:	CONNECTOR:
R: RHCP	X: NO CABLE	S: SMA, BNC: BNC
L: LHCP	#: CABLE LENGTH (IN)	T: TNC, TB: TNC-BLK
V: VERTICAL	R: RIGHT ANGLE CON.	N: N, NB: N-BLK
H: HORIZONTAL		

NOTES: UNLESS OTHERWISE SPECIFIED:

QUANTITY	DESCRIPTION	PART NO	MATERIAL	FINISH	TOL
	O-RING	2-031/N756-75	-	-	1

PARTS LIST		ANTCOM CORP. TORRANCE, CALIFORNIA	
UNLESS OTHERWISE SPECIFIED DIMENSIONS ARE IN INCHES FRACTIONS OVER FIFTY AND DECIMALS TO TWO ANGLES ± 1/64 ± .015 ± .015 ± .015	ORIGINALLY DRAWN S. HUYNH June-27-13	<b>ANTCOM CORP.</b> TORRANCE, CALIFORNIA <b>OUTLINE DRAWING</b> 9BR Rod <b>RHCP S/C-Band OMNI Antenna</b>	
TOLERANCE 5MIL PER ANSI Y14.6	ORIGINALLY DESIGNED S. HUYNH June-27-13		
BREAK ALL DIMS	UPDATED S. HUYNH Aug-16-16		
PLEASE PRINT TO 0.01	UPDATE DRAWN P. TRAN Aug-16-16		
SOFTEN THREADS PER MIL-S-8879	APPROVED S. HUYNH Aug-16-16		
DO NOT SCALE DRAWING	SCALE 1/1	SHEET 1 OF 1	