



(136-174)/(764-870) MHz VHF/UHF Blade Antenna: P/N: 9B-136-174-764-870-XB-1

(138-150)/(420-450) MHz VHF/UHF Blade Antenna: P/N: 9B-138-150-420-450-XT-1

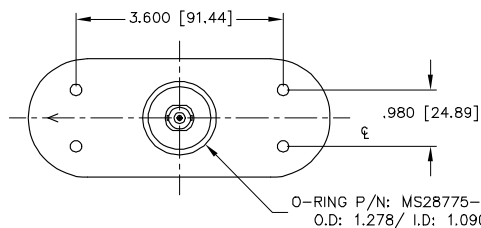
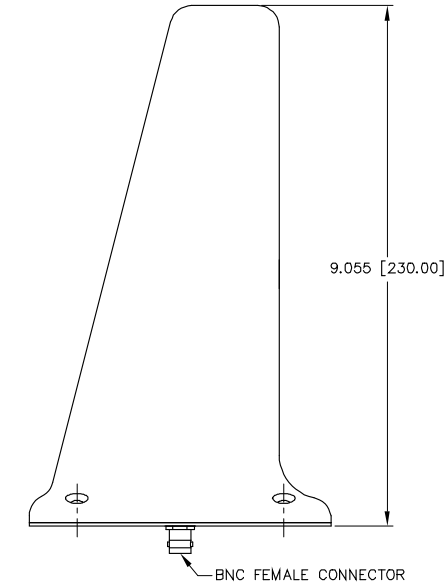
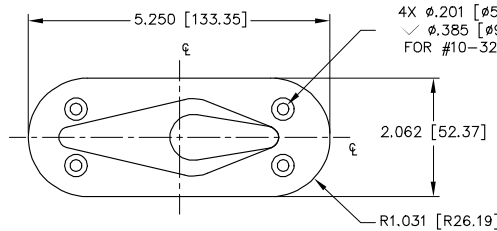
9" Tall Blade Configuration. Other Frequencies, Connectors and Color Options are Available



ISO 9001:2008/FAA Approved Facility Antenna Mounts/Adapters: <http://www.antcom.com/documents/catalogs/PeripheralAntennaProducts2.pdf>

ANTCOM CORPORATION . 367 Van Ness Way, Suite 602 . Torrance, CA 90501, USA . Tel: (310) 782-1076 . Fax: (310) 782-1086 . E-mail: antennas@antcom.com . <http://www.antcom.com>

NOTICE OF PROPRIETARY RIGHTS
THIS DOCUMENT CONTAINS CONFIDENTIAL INFORMATION. DISCLOSURE OF THIS DATA TO YOU IS EXPRESSLY CONDITIONED UPON YOUR ACCEPTANCE THAT THIS INFORMATION IS INTENDED FOR YOUR COMPANY'S INTERNAL USE ONLY AND IS NOT TO BE REPRODUCED OR TRANSMITTED IN ANY FORM OR BY ANY MEANS, ELECTRONIC OR MECHANICAL, INCLUDING PHOTOCOPYING, RECORDING, OR BY ANY INFORMATION STORAGE AND RETRIEVAL SYSTEM, WITHOUT THE WRITTEN CONSENT OF ANTCOM CORPORATION.



P/N: 9B-136-174-764-870-XB-1

START FREQ. (GHz):	STOP FREQ. (GHz):	OTHER BAND:	CONNECTOR:	COLOR:
.136 .225 .310 .350	.310 .350 .370 .400	L: L-Band	S: SMA; P: PINS	-1: GLOSS WHITE #17925 PER FED-STD-595B
.370 .400 .425 .450	.410 .425 .450 .470	S: S-band	M: MCX; MM: MMCX	-2: LUSTERLESS GRAY #36320 PER FED-STD-595B
.470 .764 .820 .990	.500 .532 .870 .990	C: C-Band	N: N/N-Bulkhead	-3: CAMO GREEN #34094 PER FED-STD-595B
1.30 1.50 1.60 1.70	1.40 1.55 1.65 1.74	LS: (1700-2200)MHz	T, TB: TNC, TNC-Bulkhead	-4: LUSTERLESS BLACK #37038 PER FED-STD-595B
1.80 1.99 2.20 2.40	1.85 2.50 4.40 5.00	SC: S/C-Band		-5: DESERT TAN #33446 PER FED-STD-595B

SPECIFICATIONS

REVISIONS				
ZONE	REV	DESCRIPTION	DATE	APPROVED

ELECTRICAL:

FREQUENCY (MHz):	(136-174)	(764-870)
PATTERN:	OMNIDIRECTIONAL	
POLARIZATION:	VERTICAL	
ANTENNA GAIN : 4ft GP	0 dB	4 dB
VSWR:	2.6:1	2.0:1
OUTPUT IMPEDANCE:	50 Ω	
POWER HANDLING:	>50 watts	
LIGHTNING PROTECTION:	DC GROUNDING	

MECHANICAL:

SIZE: WIDTH 2.06 in. [52.4 mm], LENGTH 5.25 in. [133.3 mm], HEIGHT 9.05 in. [230 mm]
 WEIGHT: 9.0 oz. (255 g)
 FINISH: SKYDROL RESISTANT POLYURETHANE ENAMEL BASE IRIDITE PER MIL-C-5441F
 MATERIAL: 6061-T6 ALUMINUM ALLOY BASE COMPOSITE RADOME, IMPACT, ABRASION, UV, SOLVENT, SKYDROL RESISTANCE, AND FIRE RETARDANT
 CONNECTOR: BNC FEMALE (OPTION: SMA, TNC, N, or CABLE)

ENVIRONMENTAL:

TEMPERATURE: -67°F TO +185°F [-55°C TO +85°C]
 ALTITUDE: 70,000 ft.
 VIBRATION: 14 G's
 LEAKAGE: HERMETICALLY SEALED

FEDERAL & MILITARY SPECIFICATIONS:

DESIGN TO:

TSO-C169A/C144, DO-160D, D0-228, MIL-C-5541F, MIL-STD-461E/F, MIL-E-5400, MIL-I-45208A, MIL-STD-810, MIL-S-901D, MIL-STD-167-1A, SAE J1455

QUANTITY REQD	DESCRIPTION	PARTS LIST	PART NO	FINISH	UNIT
1	O-RING		MS24693C273		2
4	SCREW, MOUNTING		MS28775-024		1

UNLESS OTHERWISE SPECIFIED DIMENSIONS ARE IN INCHES FRACTIONS DECIMALS ANGLES TOLERANCES ± 1/64 .004 .005 ± 1°		ORIGINALLY DRAWN S. HUYNH Feb-23-16	ANTCOM CORP. TORRANCE, CALIFORNIA UHF/VHF BLADE ANTENNA
TOLERANCE 5VH PER ANSI Y14.5		ORIGINALLY DESIGNED S. HUYNH Feb-23-16	
REMOVE ALL DIMENSIONS FROM EXTERNAL DIMENSIONS .005 TO .015		UPDATED S. HUYNH Dec-07-16	
ALLEN 8-300 TO R 800 SIZE 8-300 TO R 800 SIZE 8-300 TO R 800 SIZE 8-300 TO R 800		UPDATE DRAWN P. TRAN Dec-07-16	
MACHINED SURFACES 25		APPROVED S. HUYNH Dec-07-16	
DO NOT SCALE DRAWING			TITLE: 3CVE1 NUMBER: 9B-136-174-764-870-XB-1 SCALE: 1/1 SHEET: 1 OF 1

NMO Connector Option is Now Available for Some Antennas