



FAA Approved Facility

# High Gain Blade Antennas,


**P/N: 9B-2.20-2.50XT-1-6dB (2.20-2.50 GHz, 6dB Gain)**  
**P/N: 9B-0.82-0.96XT-1-5dB (0.82-0.96 GHz, 5db Gain)**  
**9.0" Tall Blade Configuration, -1 White, -2 Grey, -4 Black**

Antenna Mounts: <http://www.antcom.com/documents/catalogs/PeripheralAntennaProducts2.pdf>




ANTCOM CORPORATION . 367 Van Ness Way, Suite 602 . Torrance, CA 90501 . Tel: (310) 782-1076 . Fax: (310) 782-1086 . E-mail: [antennas@antcom.com](mailto:antennas@antcom.com) . <http://www.antcom.com>

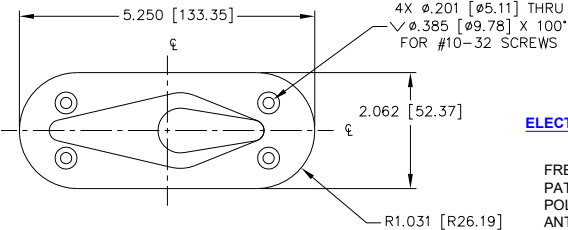
7



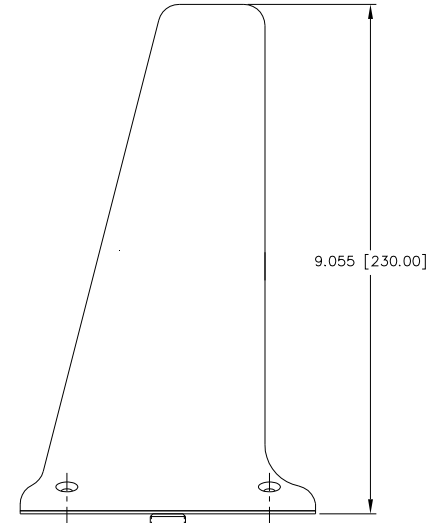
6



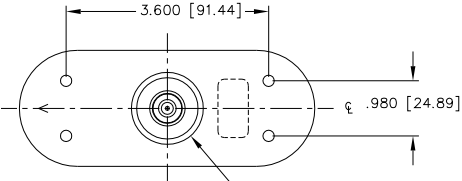
5



4



3



2

1

**REVISIONS**

ZONE	REV	DESCRIPTION	DATE	APPROVED

**SPECIFICATIONS**

**ELECTRICAL:**

FREQUENCY: S-Band (2.2-2.5) GHz  
 PATTERN: OMNIDIRECTIONAL  
 POLARIZATION: VERTICAL  
 ANTENNA GAIN: 6 dBi  
 RADIATION PATTERN: OMNI-DIRECTIONAL  
 VSWR: < 2.0:1  
 OUTPUT IMPEDANCE: 50 ohms  
 POWER HANDLING: 100 watts  
 LIGHTNING PROTECTION: DC GROUNDED

**MECHANICAL:**

SIZE: WIDTH 2.06 in. [52.4 mm], LENGTH 5.25 in. [133.3 mm], HEIGHT 9.05 in. [230 mm]  
 WEIGHT: 11.5 oz. (326 g)  
 FINISH: SKYDROL RESISTANT POLYURETHANE ENAMEL  
 BASE IRIDITE PER MIL-C-5441F  
 COLOR: LUSTERLESS GRAY #36320 PER FED-STD-595B  
 GLOSS WHITE #17925 PER FED-STD-595B  
 OLIVE DRAB GREEN #34031 PER FED-STD-595B  
 LUSTERLESS BLACK #37038 PER FED-STD-595B  
 MATERIAL: 6061-T6 ALUMINUM ALLOY BASE  
 COMPOSITE RADOME, IMPACT, ABRASION, UV, SOLVENT, SKYDROL RESISTANCE, AND FIRE RETARDANT  
 CONNECTOR: N FEMALE (OPTION: SMA, TNC, or BNC)

**ENVIRONMENTAL:**

TEMPERATURE: -67°F TO +185°F [-55°C TO +85°C]  
 ALTITUDE: 70,000 ft.  
 VIBRATION: 14 G's  
 LEAKAGE: HERMETICALLY SEALED

**FEDERAL & MILITARY SPECIFICATIONS:**

**DESIGN TO:** DO-160D, MIL-C-5541, MIL-E-5400, MIL-I-45208A, AND MIL-STD-810

**P/N: 9B-2.2-2.5XT-1-6dB**

QTY	DESCRIPTION	PART NO	SPECIFICATION	MATERIAL	FINISH	TRM
1	O-RING	MS24693C273	-	-	-	2
4	SCREW, MOUNTING	MS28775-024	-	-	-	-

**ANTCOM CORP.** TORRANCE, CALIFORNIA

**(2.2-2.5) GHz**

**S-BAND BLADE ANTENNA**

REV	CHK'D	DATE	BY
D	3CVE1	9B-2.2-2.5XT-1-6dB	REV

SCALE 1/1 SHEET 1 OF 1

NOTICE OF PROPRIETARY RIGHTS

THIS DOCUMENT CONTAINS CONFIDENTIAL TECHNICAL DATA INCLUDING TRADE SECRETS PROPRIETARY TO ANTCOM CORP. DISCLOSURE OF THIS DATA TO YOU IS EXPRESSLY CONDITIONED UPON YOUR AGREEING THAT ITS USE IS LIMITED TO USE WITHIN YOUR COMPANY ONLY AND DOES NOT INCLUDE REPRODUCTION OR DISSEMINATION TO ANY OTHER USE IS EXPRESSLY PROHIBITED WITHOUT PRIOR WRITTEN CONSENT OF ANTCOM CORP.

2. MOUNTING SCREWS ARE SUPPLIED BY ANTCOM CORPORATION

1. DIMENSIONS IN BRACKETS ARE IN MILLIMETERS [mm]

NOTES: UNLESS OTHERWISE SPECIFIED:

SIZE:	START FREQ. (GHz)	STOP FREQ. (GHz)	OTHER BAND:	CABLE'S LENGTH:	CONNECTOR:	COLOR:
1: 2" SQ.			L: L-Band	X: NO CABLE	S: SMA; P: PINS	-1: GLOSS WHITE #17925 PER FED-STD-595B
1.9: 1.9" SQ.	116, 225, 310, 350	310, 350, 370, 400	S: S-band	M: WITH MAG. MOUNT	M: MCX; MM: MMCX	-2: LUSTERLESS GRAY #36320 PER FED-STD-595B
2: 2.6" DIA.	370, 400, 425, 450	410, 425, 450, 470	C: C-Band	#: CABLE LENGTH (IN)	N: N/Bulkhead	-3: OLIVE DRAB GREEN #34031 PER FED-STD-595B
3: 3.5" DIA.	470, 500, 820, 990	500, 532, 820, 990	LS: (1700-2200)MHz	R: RIGHT ANGLE CON.	T, TB: TNC, TNC- Bulkhead	-4: LUSTERLESS BLACK #37038 PER FED-STD-595B
4: MINI ARINC	1.30, 1.50, 1.60, 1.70	1.40, 1.55, 1.65, 1.75	SC: S/C-Band			
9B: Blade, 53: Rod	1.80, 1.99, 2.20, 2.40	1.85, 1.99, 2.50				

NMO Connector is Now Available for Some Antennas