



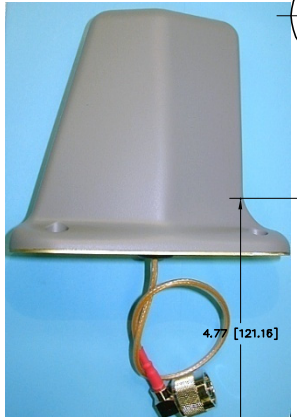
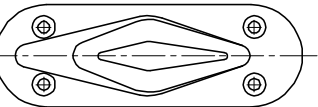
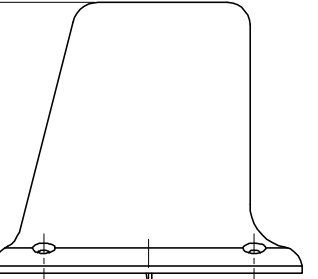
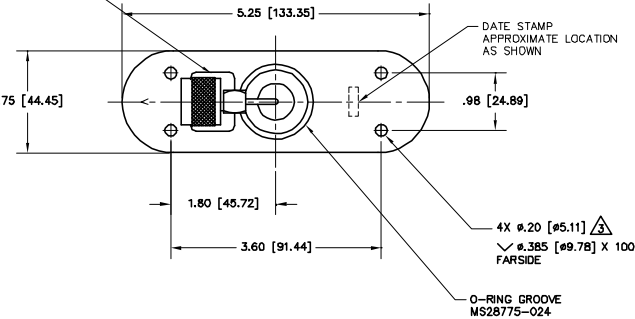
(310-400) MHz, UHF Antenna,
 P/N: 97384ASSY38214-91002-2 and P/N: 97384ASSY38214-91002-1 (350-400MHz)
 4.6" Tall Blade Configuration



ISO 9001:2008/FAA Approved Facility Antenna Mounts/Adapters: <http://www.antcom.com/documents/catalogs/PeripheralAntennaProducts2.pdf>

ANTCOM CORPORATION . 367 Van Ness Way, Suite 602 . Torrance, CA 90501, USA . Tel: (310) 782-1076 . Fax: (310) 782-1086 . E-mail: antennas@antcom.com . <http://www.antcom.com>

NOTICE OF PROPRIETARY RIGHTS
 THIS DOCUMENT CONTAINS CONFIDENTIAL, TECHNICAL DATA INCLUDING TRADE SECRETS PROPRIETARY TO ANTCOM CORP. DISCLOSURE OF THIS DATA TO YOU IS EXPRESSLY CONDITIONED UPON YOUR ACCEPTANCE OF THE TERMS AND CONDITIONS OF THE LICENSE TO USE, REPRODUCE, TRANSMIT, AND OTHERWISE USE THIS DOCUMENT OR THE INFORMATION CONTAINED HEREIN. ANY OTHER USE IS EXPRESSLY PROHIBITED WITHOUT PRIOR WRITTEN CONSENT OF ANTCOM CORP.

4.77 [121.16]

1.75 [44.45]

5.25 [133.35]

1.80 [45.72]

3.60 [91.44]

0.98 [24.89]

4X ϕ .20 [#5.11] Δ

\surd ϕ .385 [#9.78] X 100' FAR SIDE

O-RING GROOVE MS28775-024

DATE STAMP APPROXIMATE LOCATION AS SHOWN

MALE N RIGHT ANGLE CONNECTOR (RED) (SMA & TNC ARE ALSO AVAILABLE)

NAME PLATE

FLEXIBLE CABLE (10 in. LG)

1.24 [31.60]

.43 [10.80]

REVISIONS

ZONE	REV	DESCRIPTION	DATE	APPROVED

SPECIFICATIONS

ELECTRICAL:

UHF

FREQUENCY: (310-400) MHz
 PATTERN: OMNIDIRECTIONAL
 POLARIZATION: VERTICAL
 ANTENNA GAIN: > 1.5 dB
 RADIATION PATTERN: 1/4 WAVE MONOPOLE
 VSWR: 2.0:1
 OUTPUT IMPEDANCE: 50 Ω
 POWER HANDLING: 50 watts

MECHANICAL:

SIZE: WIDTH 1.75 in. [44.45 mm], LENGTH 5.25 in. [133.35 mm], HEIGHT 4.77 in. [121.16 mm]
 WEIGHT: 8.0 oz. (.227 Kg)
 FINISH: SKYDROL RESISTANT POLYURETHANE ENAMEL BASE IRIDITE PER MIL-C-5441
 COLOR: LUSTERLESS GRAY #36320 PER FED-STD-595B
 GLOSS WHITE #17925 PER FED-STD-595B
 OLIVE DRAB GREEN #34031 PER FED-STD-595B
 LUSTERLESS BLACK #37038 PER FED-STD-595B
 MATERIAL: 6061-T6 ALUMINUM ALLOY BASE
 THERMOSET PLASTIC RADOME, UV, ABRASION AND SKYDROL RESISTANCE
 CONNECTOR: N, MALE RIGHT ANGLE (OPTIONAL CONNECTORS TNC AND SMA TYPE)

ENVIRONMENTAL:

TEMPERATURE: -67°F TO +185°F [-55°C TO +85°C]
 ALTITUDE: 70,000 ft.
 VIBRATION: 10 G's
 LEAKAGE: HERMETICALLY SEALED

FEDERAL & MILITARY SPECIFICATIONS:

DESIGN TO: DO-160D, MIL-C-5541, MIL-E-5400, MIL-I-45208A, AND MIL-STD-810

QTY	DESCRIPTION	PART NO	SPECIFICATION	MATERIAL	FINISH	REV
4	SCREW, MOUNTING	MS24693C273	-	-	-	2
1	O-RING	MS28775-024	-	-	-	1

PARTS LIST

UNLESS OTHERWISE SPECIFIED DIMENSIONS ARE IN INCHES
 FRACTIONS DECIMALS ANGLES
 \pm 1/64 .0005 .005 \pm 1°

TOLERANCE DIM PER ASB VI4.5
 UNLESS OTHERWISE SPECIFIED DIMENSIONS ARE IN INCHES
 FRACTIONS DECIMALS ANGLES
 \pm 1/64 .0005 .005 \pm 1°

REMOVE ALL BURRS
 BREAK EDGES TO .015
 FILED SURFACES TO .005
 CHECK DIMENSIONS PER DIMS
 DATE'S ON A COMMON E/OB

MACHINED SURFACES Δ

DO NOT SCALE DRAWING

ANTCOM CORP. TORRANCE, CALIFORNIA
 OUTLINE DRAWING
 UHF ANTENNA

APPROVED: S. HUYNH 05-17-01
 D 3CVE1
 97384ASSY38214-91002-2
 SCALE 1/1
 SHEET 1 OF 1

Δ MOUNTING HOLE PATTERN COMPLIES WITH BOEING L-BAND AIRBORNE ANTENNAS

2. O-RING AND MOUNTING SCREWS ARE SUPPLIED BY ANTCOM CORPORATION

1. DIMENSIONS IN BRACKETS ARE IN MILLIMETERS [mm]

NOTES: UNLESS OTHERWISE SPECIFIED:

NMO Connector Option is Now Available for Some Antennas