



ISO 9001:2008/FAA Approved Facility

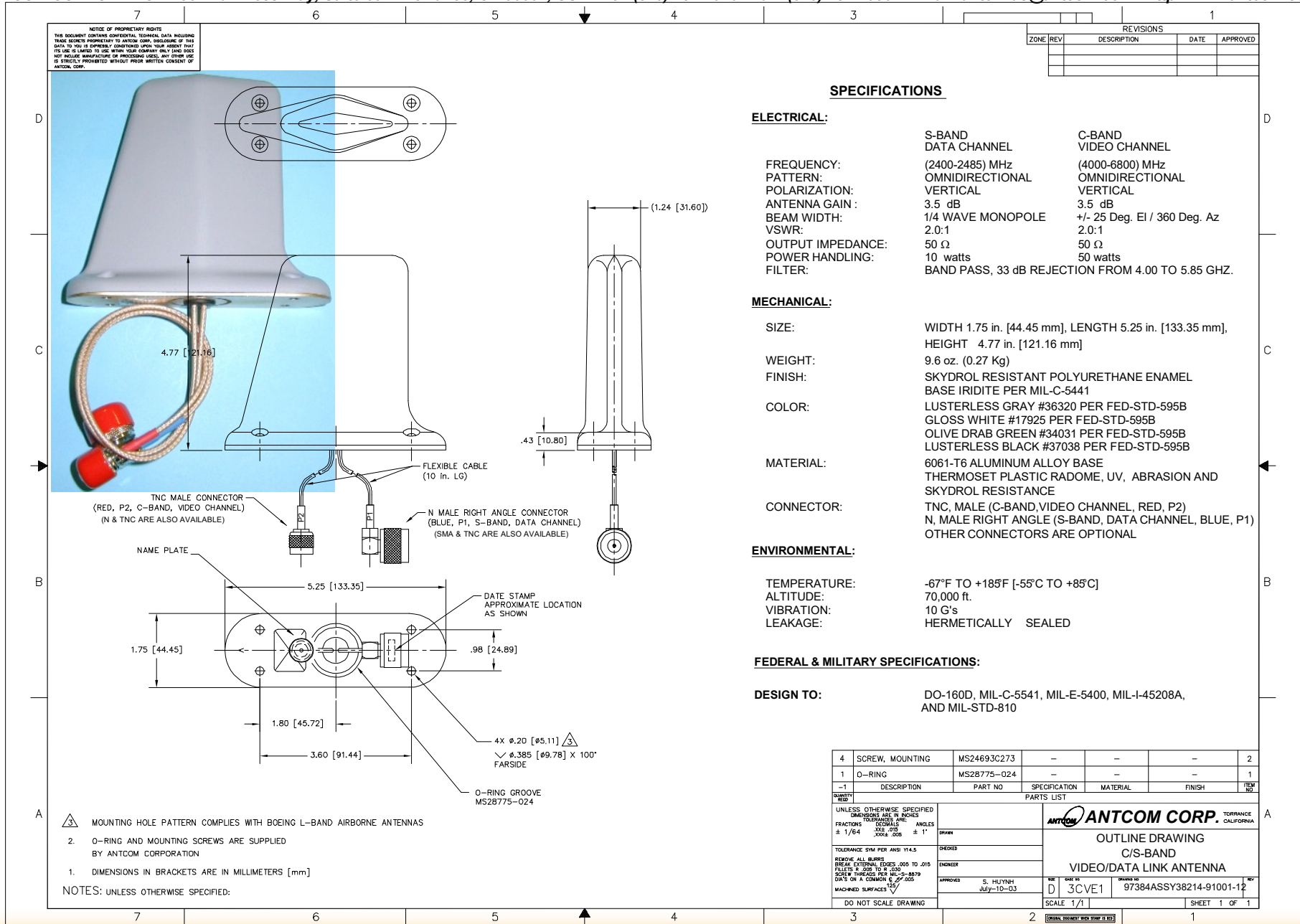
Antenna Mounts/Adapters: <http://www.antcom.com/documents/catalogs/PeripheralAntennaProducts2.pdf>

(2.4-2.5)GHz/(4.0-6.8) GHz, S/C-Band Antenna, P/N: 97384ASSY38214-91001-12, 4.6" Tall Blade Configuration



FAA Approved
TSO Antennas

ANTCOM CORPORATION . 367 Van Ness Way, Suite 602 . Torrance, CA 90501, USA . Tel: (310) 782-1076 . Fax: (310) 782-1086 . E-mail: antennas@antcom.com . <http://www.antcom.com>



NMO Connector Option is Now Available for Some Antennas