



FAA Approved Facility

7-Element CRPA L1/L2 GPS Antenna Array with Standard FRPA Mounting Holes

P/N: 7NF-5.8CG1215P-16S-4 Rev B

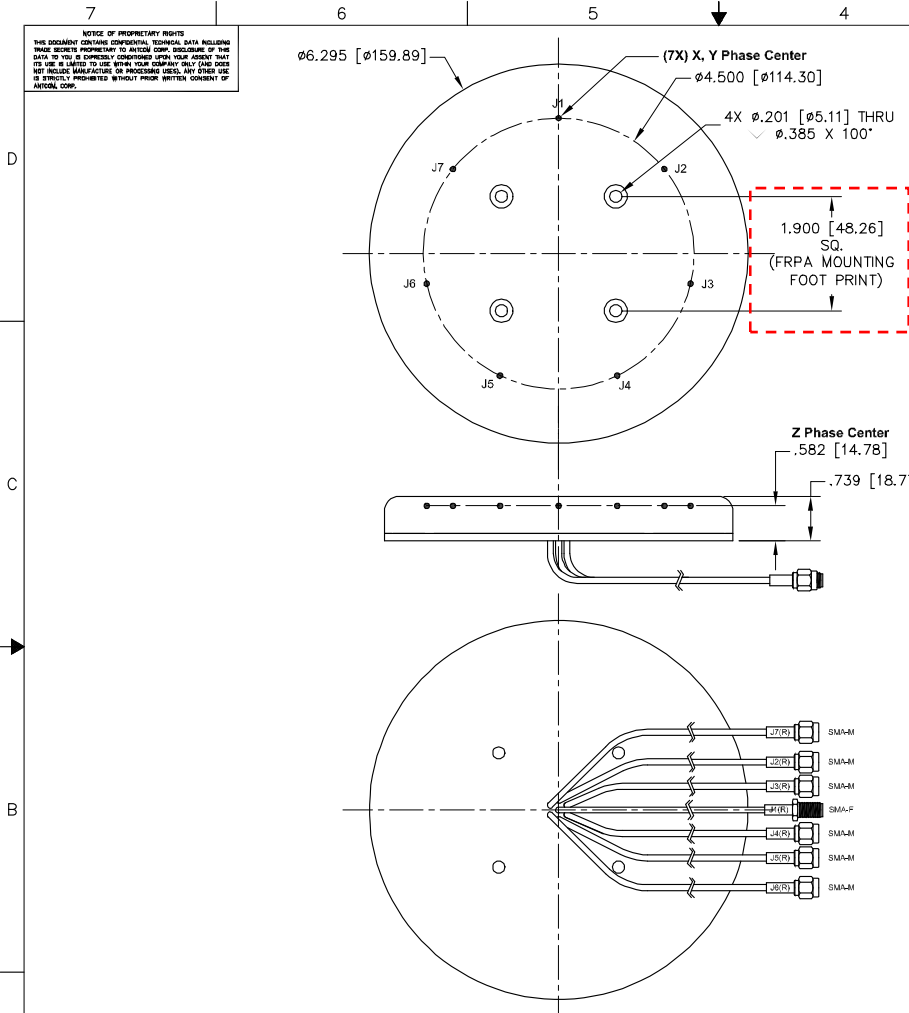
Other Mounting Hole Patterns, Cables, Connectors and Output Locations can be Customized



“-PL-” or “-AL-” for Limiter Options for High Power Pulse Protection

ANTCOM CORPORATION . 367 Van Ness Way, Suite 602 . Torrance, CA 90501 . Tel: (310) 782-1076 . Fax: (310) 782-1086 . E-mail: antennas@antcom.com . http://www.antcom.com

Wide Band GNSS Option Is Available



SPECIFICATIONS

REVISIONS		DATE	APPROVED
A	DIAMETER/ELEMENTS	02/20/17	S.H
B	HEIGHT	04/17/17	S.H

ELECTRICAL:

FREQUENCY:	L1: (1575.42 ± 12) MHz	L2: (1227.60 ± 12) MHz
RADIATION PATTERN:	HEMISPHERICAL	
POLARIZATION:	RHCP	
VSWR:	2.0:1	
IMPEDANCE:	50 ohms	
FRPA ELEMENT GAIN (dBic):	In ARRAY	In ARRAY
@ 90 ° (ZENITH):	+ 3.8	+ 2.7
@ 10 ° Elevation:	- 4.3	- 6.3
@ 20 ° Elevation:	- 2.2	- 4.2
@ 30 ° Elevation:	- 0.7	- 2.4
@ 60 - 90 ° Elevation:	> 2.5	> 1.3
BEAM WIDTH (3dB):	120 Deg.	90 Deg.
LIGHTNING PROTECTION:	DC GROUNDING	

MECHANICAL:

SIZE:	HEIGHT: 0.739 in. [18.77 mm] DIAMETER: 6.295 in [159.89 mm]
WEIGHT:	0.9 lbs (408 g)
FINISH:	SKYDROL RESISTANT POLYURETHANE ENAMEL BASE IRIDITE PER MIL-C-5541F CLASS 1A
MATERIAL:	6061-T6 ALUMINUM ALLOY BASE COMPOSITE RADOME, IMPACT, ABRASION, UV, SOLVENT, SKYDROL RESISTANCE, AND FIRE RETARDANT
CONNECTOR:	(1x) 16in SMA-F/ CABLE FOR REFERENCE CHANNEL (6x) 16in SMA-M/ CABLES FOR AUXILIARY CHANNELS

ENVIRONMENTAL:

TEMPERATURE:	-71 °F to +203 °F [-57 °C to +95 °C]
ALTITUDE:	70,000 ft.
VIBRATION:	40 G's
LEAKAGE:	HERMETICALLY SEAL

FEDERAL & MILITARY SPECIFICATIONS:

DESIGN TO:	FAA TSO-C144, DO-160D, DO-228, MIL-C-5541, MIL-STD-81F MIL-E-5400, MIL-I-45208A, MIL-STD-810, AND SAE J1455
------------	--

ACCEPTANCE TEST PROCEDURE:

ATP-GPS-L1L2-100

CONFORMALITY:	FREQ. BANDS:	LNA:	
CC: CONFORMAL/CURVED	1215; L1/L2	A: ACTIVE (with LNA), AL: ACTIVE WITH LIMITER	
CF: CONFORMAL/FLAT	15; L1 ONLY	P: PASSIVE (without LNA)	2
NF: NOT CONFORMAL/FLAT		P2: PASSIVE WITH DUAL RHCP/LHCP POLARIZATION	4
NC: NOT CONFORMAL/CURVED		P2L: PASSIVE WITH DUAL LINEAR POLARIZATION and with 1 RHCP for MORE THAN 1 ELEMENT ARRAY	1

P/N: 7NF-5.8CG1215P-16S-4

NUMBER OF ELEMENT:	CABLE LENGTH:	CONNECTOR:	COLOR:
X: NO CABLE	S: SMA; F: PINS	S: SMA; F: PINS	-1: GLOSS WHITE #17925 PER FED-STD-595B
M: MAG, N: NO MAG.	M: MMC; M: MMCX	M: MMC; M: MMCX	-2: LUSTERLESS GRAY #36320 PER FED-STD-595B
#: CABLE LENGTH (IN)	N: NB; N: N-Bulkhead	N: NB; N: N-Bulkhead	-3: OLIVE DRAB GREEN #34031 PER FED-STD-595B
R: RIGHT ANGLE CON.	T: TB; TNC; TNC-Bulkhead	T: TB; TNC; TNC-Bulkhead	-4: LUSTERLESS BLACK #37038 PER FED-STD-595B
			-5: DESERT TAN #33446 PER FED-STD-595B

1. DIMENSIONS IN BRACKETS ARE IN MILLIMETERS [mm]
NOTES: UNLESS OTHERWISE SPECIFIED:

UNLESS OTHERWISE SPECIFIED DIMENSIONS ARE IN INCHES FRACTIONS DECIMALS ANGLES ± 1/64 .0006 .030		ANTCOM CORP. TORRANCE CALIFORNIA
ORIGINAL DRAWN	S. HUYNH Mar-20-17	6.295in Dia. 7-ELEMENT
ORIGINAL DESIGNED	S. HUYNH Mar-20-17	7 CHANNEL L1L2 GPS
UPDATED	S. HUYNH April-17-17	CLASS B SAS CRPA ANTENNA ARRAY
UPDATE DRAWN	P. TRAN April-17-17	
APPROVED	S. HUYNH April-17-17	
SCALE	1/1	SHEET 1 OF 1

Antenna Mounts: http://www.antcom.com/documents/catalogs/PeripheralAntennaProducts2.pdf
Amplifiers/Power Divider/Combiner/Filters: http://www.antcom.com/documents/catalogs/PeripheralAntennaProducts1.pdf