



(500-3000) MHz UHF/L/S-Band Antenna

P/N: 7B-500-3000-XT-2-PM

7.562" Tall Blade Configuration

Other Frequency Bands, Color and Connector Options are Also Available

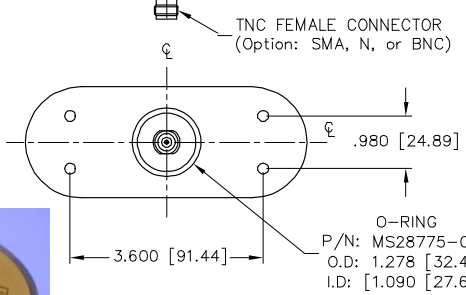
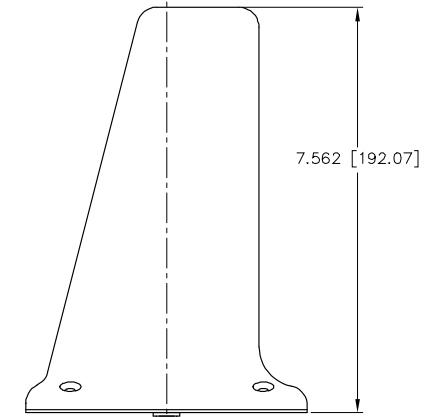
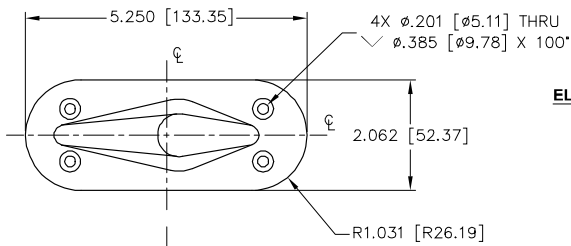


ISO 9001:2008/FAA Approved Facility

Antenna Mounts/Adapters: <http://www.antcom.com/documents/catalogs/PeripheralAntennaProducts2.pdf>

ANTCOM CORPORATION . 367 Van Ness Way, Suite 602 . Torrance, CA 90501, USA . Tel: (310) 782-1076 . Fax: (310) 782-1086 . E-mail: antennas@antcom.com . <http://www.antcom.com>

NOTICE OF PROPRIETARY RIGHTS
THE FOLLOWING CONTAINS CONFIDENTIAL TECHNICAL DATA INCLUDING TRADE SECRETS PROPRIETARY TO ANTCOM CORP. DISCLOSURE OF THIS DATA TO YOU IS EXPRESSLY CONDITIONED UPON YOUR AGREEMENT THAT IT IS TO BE USED ONLY FOR THE PURPOSES SPECIFIED IN YOUR ORDER AND NOT BE LOANED, REPRODUCED, COPIED, REPRODUCED, OR OTHERWISE USED IN ANY MANNER WITHOUT THE WRITTEN CONSENT OF ANTCOM CORP.



SPECIFICATIONS

REVISIONS				
ZONE	REV	DESCRIPTION	DATE	APPROVED
A		VSWR	05/16/17	S.H

ELECTRICAL:

FREQUENCY: UHF/L/S-Band (500-3000) MHz
 PATTERN: OMNIDIRECTIONAL
 POLARIZATION: VERTICAL
 ANTENNA GAIN: (500-600) MHz: > -4 dBi
 (600-3000) MHz: > 0 dBi
 VSWR: < 2.5:1
 OUTPUT IMPEDANCE: 50 ohms
 POWER HANDLING: 100 watts
 LIGHTNING PROTECTION: DC GROUNDED

MECHANICAL:

SIZE: WIDTH = 2.062 in. [52 mm], LENGTH = 5.250 in. [133 mm], HEIGHT = 7.562 in. [192 mm]
 WEIGHT: 11.5 oz. (326g)
 FINISH: SKYDROL RESISTANT POLYURETHANE ENAMEL BASE IRIDITE PER MIL-F-5541F, Type II, Class 3
 MATERIAL: 6061-T6 ALUMINUM ALLOY BASE COMPOSITE RADOME, IMPACT, ABRASION, UV, SOLVENT, SKYDROL RESISTANCE, AND FIRE RETARDANT
 CONNECTOR: TNC FEMALE (OPTION: SMA, N, or BNC)

ENVIRONMENTAL:

TEMPERATURE: -85°F TO +185°F [-65°C TO +85°C]
 ALTITUDE: 70,000 ft.
 VIBRATION: 14 G's
 LEAKAGE: HERMETICALLY SEALED

FEDERAL & MILITARY SPECIFICATIONS:

DESIGN TO:

TSO-C169A/C144, MIL-C-5541F(Finish), MIL-DTL-14072(Finish), MIL-I-45208A(Inspection), DO-160D(Test), DO-228, MIL-STD-810 (Test), SAE J1455(Enviromental), MIL-S-901D(Shock), MIL-STD-167-1A(Vibration), MIL-HDBK-2164A(Stress), MIL-STD-461E/F(Elec Interfer), MIL-STD-202(Elec Comp.), MIL-HDBK-5400(Elec Eq.), MIL-HDBK-454(Elec Eq.), MIL-PRF-39012(Conn), MIL-STD-129 (Marking), MIL-STD-1285 (Marking), MIL-STD-889(Metal), FED-STD-595(Color), MIL-C-85704B(Solvent), MIL-G-81827(Grease)

SIZE	START FREQ. (MHz)	STOP FREQ. (MHz)	DC BLOCK/LIMIT FREQ.	LNAs
2B: 1.282in	175, 225, 370, 390	1310, 350, 370, 400	DC-BLOCK WITH DO BLOCK & WITH LIMITER	A1: WITH +23 dB LNA A2: WITH +43 dB LNA P: WITHOUT LNA
3B: 3.022in	370, 400, 425, 450	410, 425, 450, 470	BLANK WITHOUT DC BLOCK/NOX LIMITER	
4B: 4.887in	470, 500, 820, 990	500, 532, 820, 990		
5B: 4.887in	1300, 1500, 1990	1400, 1550, 1990		
7B: 7.562in	1700, 1800, 1990	1750, 1950, 1990		
9B: 9.062in	300, 2400	2300, 2500, 3000		

CABLE'S LENGTH:	CONNECTOR:	COLOR:
X: NO CABLE	S: SMA; P: PINS	1: GLOSS WHITE #17925 PER FED-STD-595B
N: WITH BRAG. MOUNT	M: MIL-MMC MMX	2: LUSTERLESS GRAY #30530 PER FED-STD-595B
R: CABLE LENGTH (IN)	H: NIN/Bulkhead	3: OLIVE DRAB GREEN #34331 PER FED-STD-595B
S: RIGHT ANGLE CON.	T, TB: TNC; TNC- Bulkhead	4: LUSTERLESS BLACK #37338 PER FED-STD-595B
		5: DESERT TAN #33446 PER FED-STD-595B

P/N: 7B-500-3000-XT-X-PM

QTY	DESCRIPTION	PART NO	SPECIFICATION	MATERIAL	FINISH	ITEM NO
4	SCREW, MOUNTING	MS24693C273				2
1	O-RING	MS28775-024				1

UNLESS OTHERWISE SPECIFIED DIMENSIONS ARE IN INCHES	FRACIONS DECIMAL ANGLES	ORIGINALLY DRAWN	S. HUYNH	DATE	July-31-12
TOLERANCE .015 PER ANSI Y14.5	± 1/64	ORIGINALLY DESIGNED <td>S. HUYNH <td>DATE <td>July-31-12</td> </td></td>	S. HUYNH <td>DATE <td>July-31-12</td> </td>	DATE <td>July-31-12</td>	July-31-12
PER ALL SURFACES UNLESS OTHERWISE SPECIFIED		UPDATED <td>S. HUYNH <td>DATE <td>Oct-07-16</td> </td></td>	S. HUYNH <td>DATE <td>Oct-07-16</td> </td>	DATE <td>Oct-07-16</td>	Oct-07-16
DO NOT SCALE DRAWING		UPDATE DRAWN <td>P. TRAN <td>DATE <td>Oct-07-16</td> </td></td>	P. TRAN <td>DATE <td>Oct-07-16</td> </td>	DATE <td>Oct-07-16</td>	Oct-07-16
		APPROVED <td>S. HUYNH <td>DATE <td>Oct-07-16</td> </td></td>	S. HUYNH <td>DATE <td>Oct-07-16</td> </td>	DATE <td>Oct-07-16</td>	Oct-07-16

ANTCOM CORP. TORRANCE, CALIFORNIA	
(500-3000) MHz UHF/L/S-Band	
BLADE ANTENNA	
REV	DATE
D	3CVE1
SCALE 1/1	
SHEET 1 OF 1	

2. MOUNTING SCREWS ARE SUPPLIED BY ANTCOM CORPORATION
 1. DIMENSIONS IN BRACKETS ARE IN MILLIMETERS [mm]
 NOTES: UNLESS OTHERWISE SPECIFIED: