



FAA Approved Facility

UHF/L/S-Band Antenna

P/N: 7B-300-2300-XN-1 (300-2300 MHz, N Connector)

P/N: 7B-400-1000-XT-1 (400-1000 MHz, TNC Connector)

P/N: 7B-500-3000-XT-1 (500-3000 MHz, TNC Connector)

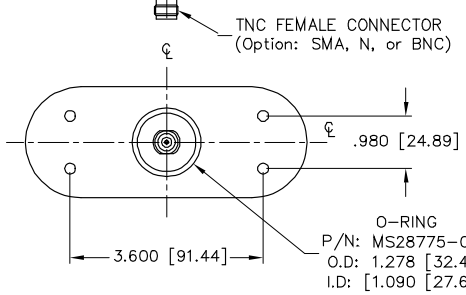
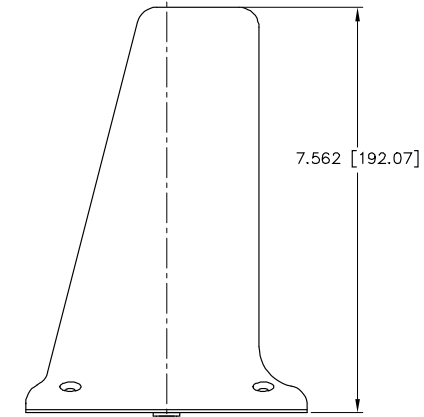
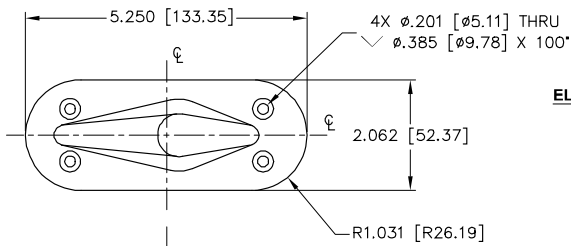
7.562" Tall Blade Configuration, -1 White, -2 Grey, -4 Black

Antenna Mounts: <http://www.antcom.com/documents/catalogs/PeripheralAntennaProducts2.pdf>



ANTCOM CORPORATION . 367 Van Ness Way, Suite 602 . Torrance, CA 90501 . Tel: (310) 782-1076 . Fax: (310) 782-1086 . E-mail: antennas@antcom.com . <http://www.antcom.com>

NOTICE OF PROPRIETARY RIGHTS
THIS DOCUMENT CONTAINS CONFIDENTIAL TECHNICAL DATA INCLUDING TRADE SECRETS PROPRIETARY TO ANTCOM CORP. DISCLOSURE OF THIS DATA TO YOU IS EXPRESSLY CONTINGENT UPON YOUR AGREEMENT THAT IT IS TO BE USED ONLY FOR THE PURPOSES SPECIFIED IN YOUR ORDER AND NOT BE LOANED, REPRODUCED, COPIED, REPRODUCED, OR OTHERWISE USED IN ANY MANNER WITHOUT THE WRITTEN CONSENT OF ANTCOM CORP.



SPECIFICATIONS

REVISIONS				
ZONE	REV	DESCRIPTION	DATE	APPROVED

ELECTRICAL:
 FREQUENCY: UHF/L/S-Band (500-3000) MHz
 PATTERN: OMNIDIRECTIONAL
 POLARIZATION: VERTICAL
 ANTENNA GAIN: > 3dBil (On 4ft. Ground Plane)
 VSWR: < 2.0:1
 OUTPUT IMPEDANCE: 50 ohms
 POWER HANDLING: 100 watts
 LIGHTNING PROTECTION: DC GROUNDED

MECHANICAL:
 SIZE: WIDTH = 2.062 in. [52 mm], LENGTH = 5.250 in. [133 mm], HEIGHT = 7.562 in. [192 mm]
 WEIGHT: 11.5 oz. (326g)
 FINISH: SKYDROL RESISTANT POLYURETHANE ENAMEL BASE IRIDITE PER MIL-F-5541F, Type II, Class 3
 MATERIAL: 6061-T6 ALUMINUM ALLOY BASE COMPOSITE RADOME, IMPACT, ABRASION, UV, SOLVENT, SKYDROL RESISTANCE, AND FIRE RETARDANT
 CONNECTOR: TNC FEMALE (OPTION: SMA, N, or BNC)

ENVIRONMENTAL:
 TEMPERATURE: -85°F TO +185°F [-65°C TO +85°C]
 ALTITUDE: 70,000 ft.
 VIBRATION: 14 G's
 LEAKAGE: HERMETICALLY SEALED

FEDERAL & MILITARY SPECIFICATIONS:
DESIGN TO: TSO-C169A/C144, MIL-C-5541F(Finish), MIL-DTL-14072(Finish), MIL-L-45208A(Inspection), DO-160D(Test), DO-228, MIL-STD-810 (Test), SAE J1455(Environmental), MIL-S-901D(Shock), MIL-STD-167-1A(Vibration), MIL-HDBK-2164A(Stress), MIL-STD-461E/F(Elec Interfer), MIL-STD-202(Elec Comp.), MIL-HDBK-5400(Elec Eq.), MIL-HDBK-454(Elec Eq.), MIL-PRF-39012(Conn), MIL-STD-129 (Marking), MIL-STD-1285 (Marking), MIL-STD-889(Metal), FED-STD-595(Color), MIL-C-85704B(Solvent), MIL-G-81827(Grease)

SIZES	START FREQ. (MHz)	STOP FREQ. (MHz)	DC BLOCK/LIMITER	LNA:
2B: 1.982in	175, 225, 370, 390	1310, 350, 370, 400	D: WITH DC BLOCK	A1: WITH +23 dB LNA
3B: 3.082in	370, 400, 425, 450	410, 425, 450, 470	& WITH LIMITER	A2: WITH +43 dB LNA
4B: 4.887in	470, 500, 820, 990	500, 532, 820, 990	BLANK WITHOUT DC BLOCK/NO LIMITER	P: WITHOUT LNA
5B: 4.887in	1300, 1500, 1990	1400, 1550, 1990		
7B: 7.562in	1700, 1800, 1990	1750, 1950, 1990		
9B: 9.082in	300, 2400	2300, 2500, 3000		

CABLE'S LENGTH:	CONNECTOR:	COLOR:
X: NO CABLE	S: SMA; P: PINS	-1: GLOSS WHITE #17925 PER FED-STD-595B
N: WITH BRAC. MOUNT	M: N/Bulkhead	+2: LUSTERLESS GRAY #30330 PER FED-STD-595B
W: CABLE LENGTH (IN)	T: TB; TNC; TNC; Bulkhead	+3: OLIVE DRAB GREEN #34031 PER FED-STD-595B
Z: RIGHT ANGLE CON.		+4: LUSTERLESS BLACK #37338 PER FED-STD-595B
		+5: DESERT TAN #33446 PER FED-STD-595B

QTY	DESCRIPTION	PART NO	SPECIFICATION	MATERIAL	FINISH	ITEM NO
4	SCREW, MOUNTING	MS24693C273	-	-	-	2
1	O-RING	MS28775-024	-	-	-	1

UNLESS OTHERWISE SPECIFIED DIMENSIONS ARE IN INCHES FRACTIONS DECIMAL ANGLES ± 1/64 .005 .005 ± 1°

TOLERANCE SM PER ANSI Y14.5

REMOVE ALL BURRS

SMALL INTERNAL EDGES .006 TO .015

FILE TO .001 IN RADIUS

DO NOT SCALE DRAWING

SCALE 1/1

SHEET 1 OF 1

2. MOUNTING SCREWS ARE SUPPLIED BY ANTCOM CORPORATION
 1. DIMENSIONS IN BRACKETS ARE IN MILLIMETERS [mm]
 NOTES: UNLESS OTHERWISE SPECIFIED:

P/N: 7B-500-3000-XT-X-PM

ANTCOM CORP. TORRANCE CALIFORNIA
 (500-3000) MHz UHF/L/S-Band
BLADE ANTENNA