



UHF/L/S-Band Antenna

P/N: 7B-300-2300-XN-1 (300-2300 MHz, N Connector)
 P/N: 7B-400-1000-XT-1 (400-1000 MHz, TNC Connector)
 P/N: 7B-500-3000-XT-1 (500-3000 MHz, TNC Connector)
 7.562" Tall Blade Configuration, -1 White, -2 Grey, -4 Black





ISO 9001:2008/FAA Approved Facility Antenna Mounts/Adapters: <http://www.antcom.com/documents/catalogs/PeripheralAntennaProducts2.pdf>

ANTCOM CORPORATION . 367 Van Ness Way, Suite 602 . Torrance, CA 90501, USA . Tel: (310) 782-1076 . Fax: (310) 782-1086 . E-mail: antennas@antcom.com . <http://www.antcom.com>

7 6 5 4 3 1

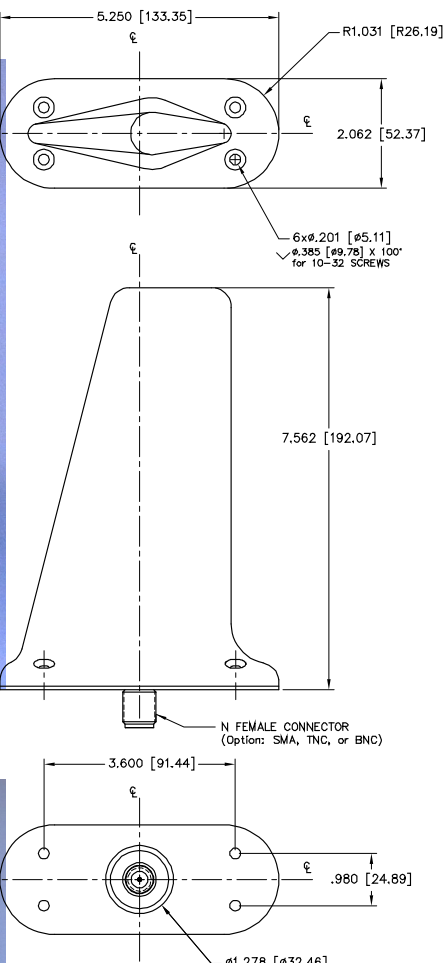
NOTICE OF PROPRIETARY RIGHTS
 THIS DOCUMENT CONTAINS CONFIDENTIAL, TECHNICAL DATA INCLUDING TRADE SECRETS PROPRIETARY TO ANTCOM CORP. REVELATION OF THIS DATA TO YOU IS EXPRESSLY PROHIBITED UNLESS YOU AGREE THAT ITS USE IS LIMITED TO THAT WHICH YOUR COMPANY HAS AGREED NOT TO REVEAL UNLESS MANUFACTURE OR PROCESSING UNDER ANY OTHER USE IS EXPRESSLY PROVIDED WITHOUT PRIOR WRITTEN CONSENT OF ANTCOM CORP.

2. MOUNTING SCREWS ARE SUPPLIED BY ANTCOM CORPORATION

1. DIMENSIONS IN BRACKETS ARE IN MILLIMETERS [mm]

NOTES: UNLESS OTHERWISE SPECIFIED:



5.250 [133.35]

2.062 [52.37]

7.562 [192.07]

3.600 [91.44]

.980 [24.89]

Ø1.278 [Ø32.46]

6xØ.201 [Ø5.11]

6x.385 [Ø9.78] x 100" for 10-32 SCREWS

N FEMALE CONNECTOR (Option: SMA, TNC, or BNC)

O-RING GROOVE MS28775-024

REVISIONS

ZONE	REV	DESCRIPTION	DATE	APPROVED

SPECIFICATIONS

ELECTRICAL:

UHF/L/S-Band

FREQUENCY: (300-2300) MHz (Also See Part Number Below)

PATTERN: OMNIDIRECTIONAL

POLARIZATION: VERTICAL

ANTENNA GAIN: (On 4ft. Ground Plane) > 3dBil

VSWR: < 2.0:1

OUTPUT IMPEDANCE: 50 ohms

POWER HANDLING: 100 watts

LIGHTNING PROTECTION: DC GROUNDED

MECHANICAL:

SIZE: WIDTH = 2.062 in. [52 mm], LENGTH = 5.250 in. [133 mm], HEIGHT = 7.562 in. [192 mm]

WEIGHT: 11.5 oz. (326g)

FINISH: SKYDROL RESISTANT POLYURETHANE ENAMEL

COLOR: BASE IRIDITE PER MIL-C-5541F Type I Class 1A
 LUSTERLESS GRAY #36320 PER FED-STD-595B
 GLOSS WHITE #17925 PER FED-STD-595B
 OLIVE DRAB GREEN #34031 PER FED-STD-595B
 LUSTERLESS BLACK #37038 PER FED-STD-595B

MATERIAL: 6061-T6 ALUMINUM ALLOY BASE
 COMPOSITE RADOME, IMPACT, ABRASION, UV, SOLVENT, SKYDROL RESISTANCE, AND FIRE RETARDANT

CONNECTOR: N FEMALE (OPTION: SMA, TNC, N, or BNC)

ENVIRONMENTAL:

TEMPERATURE: -67°F TO +185°F [-55°C TO +85°C]

ALTITUDE: 70,000 ft.

VIBRATION: 14 G's

LEAKAGE: HERMETICALLY SEALED

FEDERAL & MILITARY SPECIFICATIONS:

DESIGN TO: DO-160D, MIL-C-5541, MIL-E-5400, MIL-I-45208A, AND MIL-STD-810

QTY	DESCRIPTION	PART NO	SPECIFICATION	MATERIAL	FINISH	ITEM NO
4	SCREW, MOUNTING	MS24693C273				2
1	O-RING	MS28775-024				1

PARTS LIST

UNLESS OTHERWISE SPECIFIED DIMENSIONS ARE IN INCHES TOLERANCES ARE DECIMAL ANGLES ± 1/64 ± .015 ± .1°

RESERVE ALL RIGHTS. BREAK EXTERNAL EDGES TO .015 IN. RADIUS. ALL DIMENSIONS PER UNLESS OTHERWISE SPECIFIED. PART ON A COMMON & 27-002

SCREW THREADS PER MIL-C-8879

MACHINED SURFACES

DO NOT SCALE DRAWING

ANTCOM CORP. TORRANCE CALIFORNIA

(300-2300) MHz UHF/L/S-Band

BLADE ANTENNA

DESIGNED: _____

ENGINEER: _____

APPROVED: Sean Huynh July-31-12

SCALE 1/1

SHEET 1 OF 1

P/N: 7B-300-2300-XN-1

CABLE LENGTH:	CONNECTOR:	COLOR:
X: NO CABLE	S: SMA; P: PINS	-1: GLOSS WHITE #17925 PER FED-STD-595B
M: WITH MAG. MOUNT	U: MCM; M: MCMX	-2: LUSTERLESS GRAY #36320 PER FED-STD-595B
R: CABLE LENGTH (IN)	T: TNC; B: BNC	-3: OLIVE DRAB GREEN #34031 PER FED-STD-595B
R: RIGHT ANGLE CONN.	T: TNC; TNC-Bulkhead	-4: LUSTERLESS BLACK #37038 PER FED-STD-595B