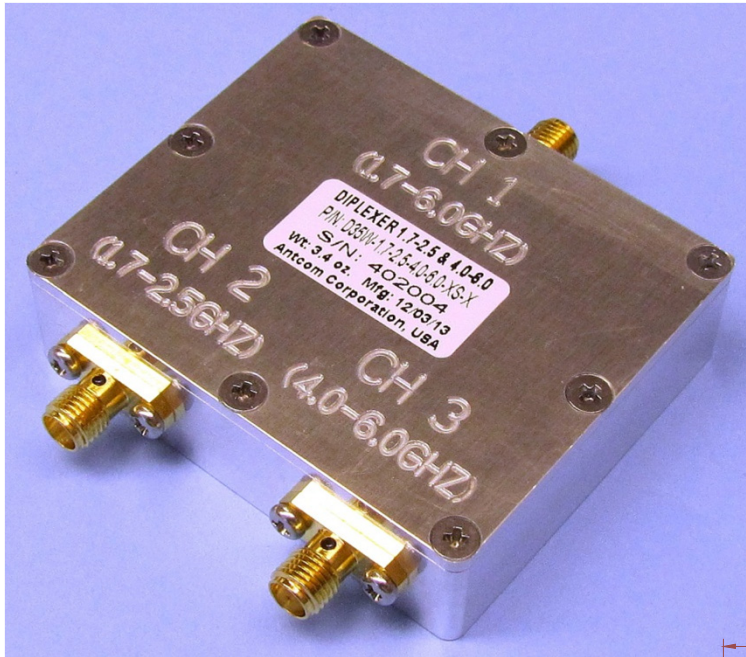
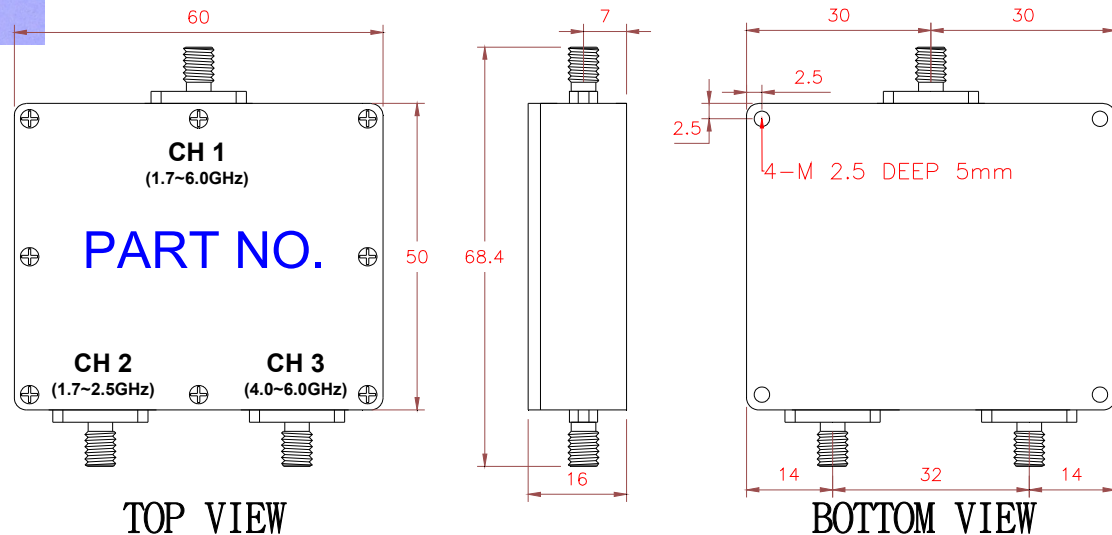


## S/C-band LC Diplexer Antcom's P/N: 790-2.1-5.0-Filter

ANTCOM CORPORATION . 367 Van Ness Way, Suite 602 . Torrance, CA 90501 . Tel: (310) 782-1076 . Fax: (310) 782-1086 . E-mail: [antennas@antcom.com](mailto:antennas@antcom.com) . <http://www.antcom.com>



Parameter	Unit	Specification	
		CH2	CH3
Center Frequency	MHz	2100	5000
Pass Band	MHz	1700~2500	4000~6000
Insertion loss in BW (max)	dB	1.8	1.8
Attenuation (min)	dB	25 @ 4000~6000MHz	25 @ 1700~2500
Return Loss	dB	15.0	
Impedance	ohms	50	
Operating Temperature	°C	-40 ~ +85	
Connector		SMA(F)	



Unit : mm  
Tolerance unless  
otherwise specified :  $\pm 0.2$