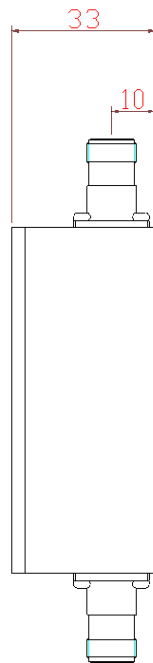
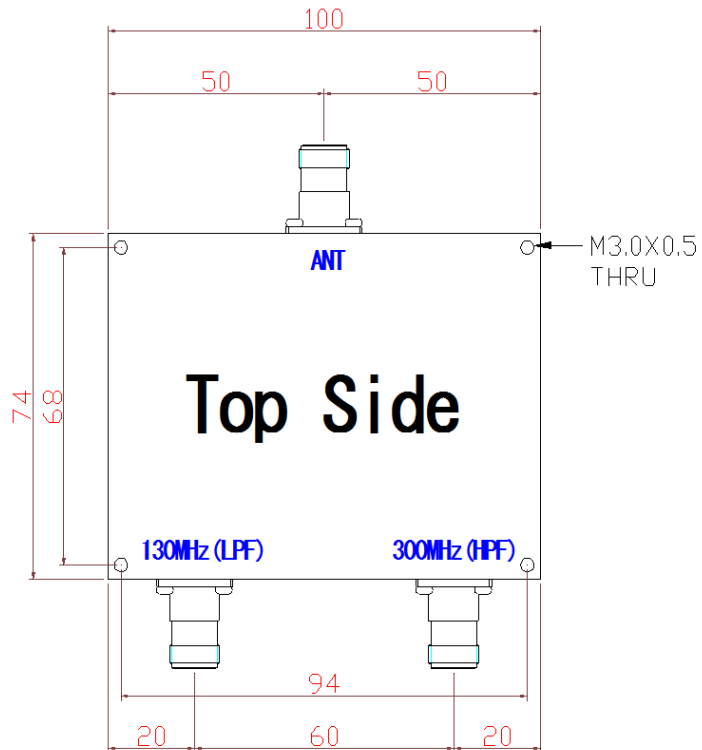


| Parameter | Unit | Specification | |
|---------------------------|------|--|-------------------|
| Center Frequency(Fo) | MHz | 130 | 300 |
| Band-width(BW) | MHz | 110 ~ 150 MHz | 190 MHz ~ 410 MHz |
| Insertion Loss in BW(max) | dB | 0.7 | |
| Return Loss in BW(min) | dB | 16 | |
| Isolation (min) | dB | 40 @ 110 ~ 150 MHz, 40 @ 190 ~ 410 MHz | |
| Material | | Aluminium alloy | |
| In/Out Impedance | ohms | 50 | |
| Temperature Range | °C | -40 ~ +85 | |
| Power(CW) | W | 50(max) | |
| Connectors | | N-Female | |
| Unit weight | g | 500 | |



| | | | | | |
|--|---|--|--|---|--|
| m1 freq=150.0MHz dB(S(2,1))=-0.020 | m2 freq=190.0MHz dB(S(2,1))=-44.483 | m6 freq=110.0MHz dB(S(2,1))=-0.021 | m3 freq=190.0MHz dB(S(3,1))=-0.006 | m4 freq=150.0MHz dB(S(3,1))=-47.429 | m5 freq=410.0MHz dB(S(3,1))=-0.013 |
|--|---|--|--|---|--|

