



New High Gain on Horizon S/C Dipole Array Antenna

P/N: 6BR-S-CVV-XTT-2

Or P/N: 9B-2225-4450-VV-XTT-2-5dB ((2.2-2.5)/(4.4-5.0) GHz)

9" Tall Blade Configuration, Other Frequencies and Connectors Are Available



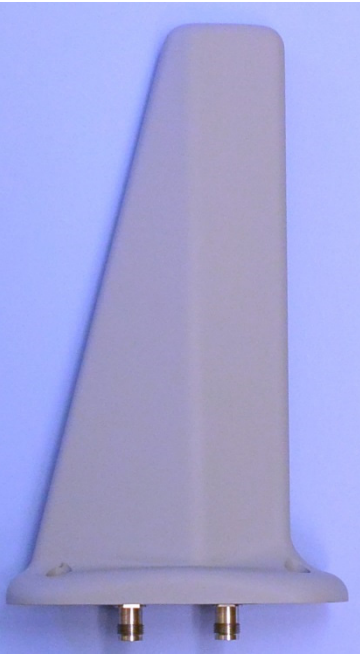
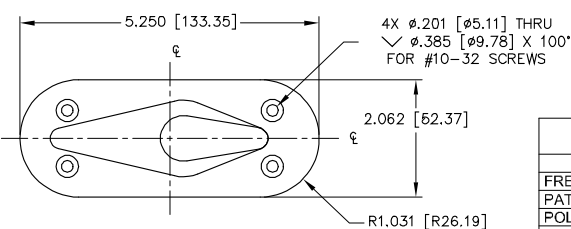
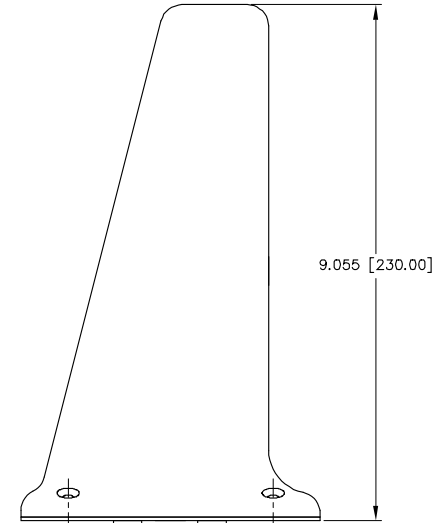
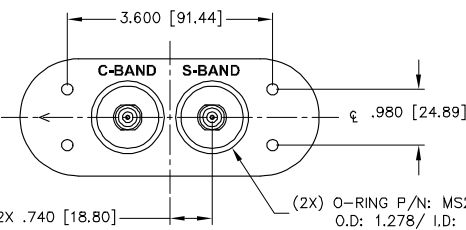
ISO 9001:2008/FAA Approved Facility

Antenna Mounts/Adapters: <http://www.antcom.com/documents/catalogs/PeripheralAntennaProducts2.pdf>

ANTCOM CORPORATION . 367 Van Ness Way, Suite 602 . Torrance, CA 90501, USA . Tel: (310) 782-1076 . Fax: (310) 782-1086 . E-mail: antennas@antcom.com . <http://www.antcom.com>

NOTICE OF PROPRIETARY RIGHTS

THIS DOCUMENT CONTAINS CONFIDENTIAL, TECHNICAL DATA INCLUDING TRADE SECRETS PROPRIETARY TO ANTCOM CORP. DISCLOSURE OF THIS DATA TO YOU, IN ANY MANNER, COMPROMISES YOUR ABILITY TO USE AS DESIRED IN YOUR BUSINESS. YOUR COMPANY, AND OTHERS, ARE NOT TO BE MANUFACTURED OR REPRODUCED. ANY OTHER USE IS STRICTLY PROHIBITED WITHOUT PRIOR WRITTEN CONSENT OF ANTCOM CORP.

5.250 [133.35]

4X ϕ 0.201 [ϕ 5.11] THRU
 ϕ 0.385 [ϕ 9.78] X 100"
FOR #10-32 SCREWS

2.062 [52.37]

R1.031 [R26.19]

9.055 [230.00]

TNC FEMALE CONNECTOR

3.600 [91.44]

C-BAND S-BAND

ϕ .980 [24.89]

(2X) O-RING P/N: MS28775-024
O.D.: 1.278/ I.D.: 1.090

2X .740 [18.80]

SPECIFICATIONS

ZONE	REVISIONS		
	REV	DESCRIPTION	DATE

ELECTRICAL:

FREQUENCY (MHz):	PCS, 802.11b, 802.11g, WiFi, Bluetooth, Hotspot S-BAND (2200-2500)	802.11a, WiFi, ISM C-BAND (4400-5000)
PATTERN:	OMNIDIRECTIONAL	
POLARIZATION:	VERTICAL	
ANTENNA GAIN :	5 dB ON HORIZON	5 dB ON HORIZON
VSWR:	2.0:1	
OUTPUT IMPEDANCE:	50 Ω	
POWER HANDLING:	>50 watts	
LIGHTNING PROTECTION:	DC GROUNDING	

MECHANICAL:

SIZE: WIDTH 2.06 in. [52.4 mm], LENGTH 5.25 in. [133.3 mm], HEIGHT 9.05 in. [230 mm]

WEIGHT: 8.5 oz. (241 g)

FINISH: SKYDROL RESISTANT POLYURETHANE ENAMEL
BASE IRIDITE PER MIL-C-5441F

COLOR: LUSTERLESS GRAY #36320 PER FED-STD-595B
GLOSS WHITE #17925 PER FED-STD-595B
CAMO GREEN #34094 PER FED-STD-595B
LUSTERLESS BLACK #37038 PER FED-STD-595B
DESERT TAN #33446 PER FED-STD-595B

MATERIAL: 6061-T6 ALUMINUM ALLOY BASE
COMPOSITE RADOME, IMPACT, ABRASION, UV, SOLVENT, SKYDROL RESISTANCE, AND FIRE RETARDAN

CONNECTOR: TNC FEMALE (OPTION: SMA, N, or BNC)

ENVIRONMENTAL:

TEMPERATURE: -67°F TO +185°F [-55°C TO +85°C]

ALTITUDE: 70,000 ft.

VIBRATION: 14 G's

LEAKAGE: HERMETICALLY SEALED

FEDERAL & MILITARY SPECIFICATIONS:

TSO C-169, TSO-160D, MIL-C-5541, MIL-E-5400, MIL-I-45208A, AND MIL-STD-810

DESIGN TO:

TSO C-169, TSO-160D, MIL-C-5541, MIL-E-5400, MIL-I-45208A, AND MIL-STD-810

P/N: 9B-2225-4450-VV-XTT-2-5dB

START FREQ. (GHz)	STOP FREQ. (GHz)	OTHER BAND:	CABLE'S LENGTH:	CONNECTOR:	COLOR:
1.16, 2.25, 3.10, 3.50	1.310, 3.50, 3.70, 4.00	L: L-Band	X: NO CABLE	S: SMA; P: PINS	-1: GLOSS WHITE #17925 PER FED-STD-595B
3.70, 4.00, 4.25, 4.50	4.410, 4.25, 4.50, 4.73	S: S-Band	M: WITH MAG. MOUNT	N: MCM; MM; MMCK	-2: LUSTERLESS GRAY #36320 PER FED-STD-595B
4.70, 5.00, 8.20, 9.60	1.500, 3.52, 8.20, 9.93	C: C-Band	#: CABLE LENGTH (IN)	N: NIN; Bulthead	-3: CAMO GREEN #34094 PER FED-STD-595B
1.30, 1.50, 1.60, 1.70	1.40, 1.55, 1.65, 1.75	LS: (1700-2200)MHz	R: RIGHT ANGLE CON.	T, TB: TNC - Bulkhead	-4: LUSTERLESS BLACK #37038 PER FED-STD-595B
1.80, 1.99, 2.20, 2.40	1.85, 2.50, 4.40, 5.00	SC: S/C-Band			-R: DESERT TAN #33446 PER FED-STD-595B

QTY	DESCRIPTION	PART NO	FINISH	TEST NO
1	O-RING	MS24693C273		2
4	SCREW, MOUNTING	MS28775-024		1

QTY	DESCRIPTION	PART NO	FINISH	TEST NO
1	O-RING	MS24693C273		2
4	SCREW, MOUNTING	MS28775-024		1

ANTCOM CORP. TORRANCE, CALIFORNIA

S-C-BAND BLADE
DIPOLE ARRAY ANTENNA

REV	DATE	BY	CHKD
D	3/1/2016	S. HUYNH	

SCALE 1/1 SHEET 1 OF 1

NMO Connector Option is Now Available for Some Antennas