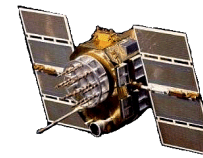




# High Temperature Performance L1/L2 GPS Antenna

P/N: 6BH-G1215P-XS-4

1.3G Blade Configuration

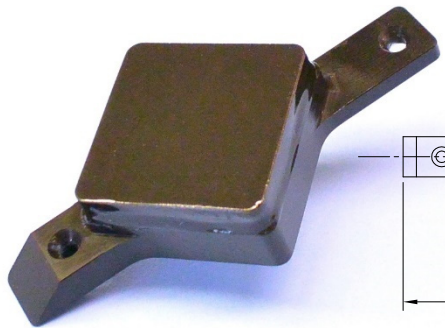
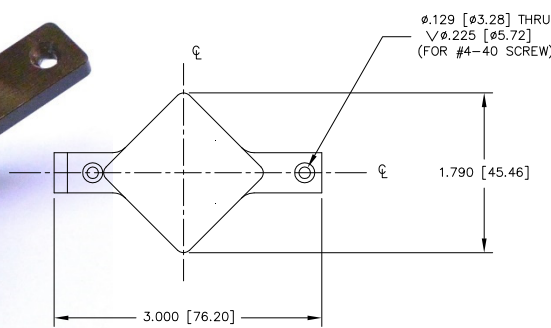

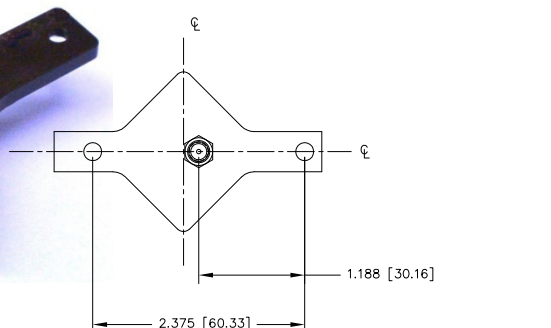


ISO 9001:2008/FAA Approved Facility

Antenna Mounts: <http://www.antcom.com/documents/catalogs/PeripheralAntennaProducts2.pdf>

ANTCOM CORPORATION . 367 Van Ness Way, #602 . Torrance, CA 90501 . Tel: (310) 782-1076 . Fax: (310) 782-1086 . E-mail: [antennas@antcom.com](mailto:antennas@antcom.com) . <http://www.antcom.com>

**NOTICE OF PROPRIETARY RIGHTS**  
THIS DOCUMENT CONTAINS CONFIDENTIAL, TECHNICAL DATA INCLUDING TRADE SECRETS PROPRIETARY TO ANTCOM CORP. DISCLOSURE OF THIS DATA BY YOU IS EXPRESSLY FORBIDDEN UNLESS YOU AGREE THAT ITS USE IS LIMITED TO USE WITHIN YOUR COMPANY ONLY (AND DOES NOT INCLUDE MANUFACTURE OR PRODUCTION UNLESS ANY OTHER USE IS EXPRESSLY PROHIBITED WITHOUT PRIOR WRITTEN CONSENT OF ANTCOM CORP.)

**SPECIFICATIONS**

**ELECTRICAL:**

	L1 GPS: 1575.42 ± 15.0 MHz	L2 GPS: 1227.60 ± 12 MHz	L1 GLONASS: 1598 - 1609 MHz	L2 GLONASS: 1242 - 1252 MHz
FREQUENCY:				
RADIATION PATTERN:	HEMISPHERICAL			
POLARIZATION:	RHCP			
VSWR:	< 2.0:1		< 2.0:1	
IMPEDANCE:	50 ohms		50 ohms	
ANTENNA GAIN (dBic):	Free Space	3 in G.P.	Free Space	3 in G.P.
@ 90 ° (ZENITH):	+ 0.4	+ 3.2	- 2.2	+ 0.0
@ 10 ° Elevation:	- 4.6	- 4.1	- 10.6	- 4.4
@ 15 ° Elevation:	- 4.5	- 3.8	- 8.5	- 3.5
@ 20 ° Elevation:	- 4.5	- 3.5	- 6.3	- 2.5
@ 30 ° Elevation:	- 3.3	- 1.8	- 4.0	- 1.7
@ 40 ° Elevation:	- 2.5	- 0.6	- 3.3	- 1.6
@ 50 ° Elevation:	- 2.0	+ 0.5	- 3.3	- 1.5
@ 60 ° Elevation:	- 1.5	+ 1.5	- 3.3	- 0.9
@ 70 ° Elevation:	- 0.7	+ 2.4	- 3.2	- 0.4
@ 80 ° Elevation:	+ 0.1	+ 3.0	- 3.2	- 0.1
BEAM WIDTH (3dB):	100 Deg.	80 Deg.	100 Deg.	140 Deg.
AXIAL RATIO:	1.0 dB		3.0 dB	
LIGHTNING PROTECTION:	DC GROUNDING			

**LNA OPTION:**

LNA GAIN: 24.0 dB (Option: 43 dB)  
 LNA NOISE FIGURE: 1.8 dB  
 LNA P 1dB Out: +10 dB  
 VOLTAGE/CURRENT: (+2.8 TO +28) Volts DC / (15 TO 25) mA

**MECHANICAL:**

SIZE: 1.79 in. [33.53 mm] x 3.00in. [76.20mm]  
 HEIGHT: .505 in. [12.83 mm]  
 WEIGHT: 2.6 oz. (73.7 g)  
 FINISH: SKYDROL RESISTANT POLYURETHANE ENAMEL  
 BASE IRIDITE PER MIL-C-5441F

**MATERIAL:** 6061-T6 ALUMINUM ALLOY BASE  
 COMPOSITE RADOME, ABRASION, UV, SOLVENT, SKYDROL RESISTANCE, AND FIRE RETARDANT

**CONNECTOR:** SMA FEMALE CONNECTOR  
 OPTION: MCX, QMA, TNC, SMB, SSMA, SSMB, SSMC, SSMP, MCX, OR SMP)

**ENVIRONMENTAL:**

TEMPERATURE: -85 °F TO +1,100 °F [-65 °C TO +600 °C]  
 ALTITUDE: 70,000 ft.  
 VIBRATION: ~20K G's  
 LEAKAGE: HERMETICALLY SEAL

**FEDERAL & MILITARY SPECIFICATIONS:**

**DESIGN TO:** FAA TSO-C144, DO-160D, DO-228, MIL-C-5541, MIL-E-5400, MIL-I-45208A, MIL-STD-810, AND SAE J1455

**ACCEPTANCE TEST PROCEDURE:** ATP-GPS-L1L2-100

QTY	REV	DESCRIPTION	PART NO	SPECIFICATION	MATERIAL	FINISH	TRM NO
1	-	O-RING	MS28776-25	-	-	-	1
-2	-1	DESCRIPTION					

**REVISIONS**

ZONE	REV	DESCRIPTION	DATE	APPROVED
-	-	-	-	-

**UNLESS OTHERWISE SPECIFIED DIMENSIONS ARE IN INCHES**

FRACTIONS: DECIMALS: ANGLES: ± 1/64: .0005: ± 1°

TOLERANCE SURF PER ANSI Y14.5

REMOVE ALL BURRS

BREAK OUTLINE EDGES .005 TO .015

FILETS R .005 TO R .020

SHOWN UNLESS PER MIL-STD-883C DIA'S ON A COMMON & 2X .005

MACHINED SURFACES

DO NOT SCALE DRAWING

**COLOR:**

-1: GLOSS WHITE #17925 PER FED-STD-595B  
 -2: LUSTERLESS GRAY #36320 PER FED-STD-595B  
 -3: OLIVE DRAB GREEN #34031 PER FED-STD-595B  
 -4: LUSTERLESS BLACK #37038 PER FED-STD-595B

**ANTCOM CORP.** TORRANCE, CALIFORNIA

**HIGH TEMPERATURE PERFORMANCE L1/L2 GPS ANTENNA**

DATE: 01/17/16  
 DRAWN BY: S. HUYNH  
 CHECKED BY: P. TRAN  
 APPROVED BY: S. HUYNH

SCALE: 1/1

SHEET 1 OF 1

2. MOUNTING SCREWS ARE SUPPLIED BY ANTCOM CORPORATION

1. DIMENSIONS IN BRACKETS ARE IN MILLIMETERS [mm]

NOTES: UNLESS OTHERWISE SPECIFIED:

**P/N: 6BH-G1215P-XS-X**