



FAA Approved Facility

(900-930) MHz GSM/ISM/UHF Antenna for Buoy/Deep Sea Applications
 P/N: 61.0-0.90-0.93V-109CPA2X-UUB0dB (For 109" Cable with CPA2902 Connector)
 P/N: 61.0-0.90-0.93V-XX-2-UU (For Other Cable/Connectors)

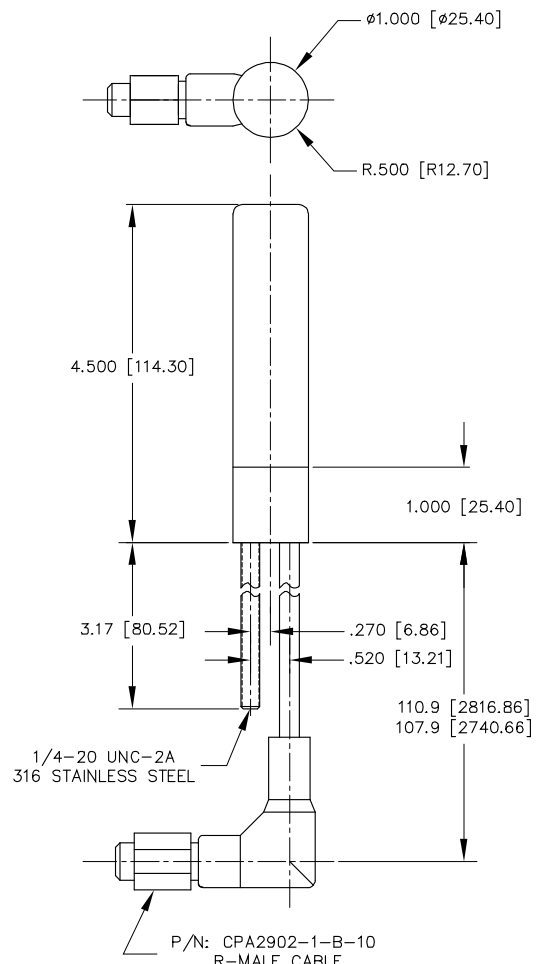
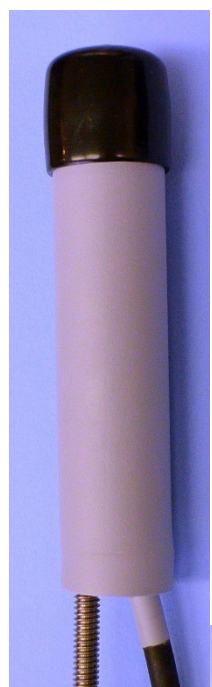
Other Frequencies and Connectors are Available. *Depth Rate = 10 Km (14,555 PSI)*

Antenna Mounts: <http://www.antcom.com/documents/catalogs/PeripheralAntennaProducts2.pdf>



ANTCOM CORPORATION . 367 Van Ness Way, Suite 602 . Torrance, CA 90501 . Tel: (310) 782-1076 . Fax: (310) 782-1086 . E-mail: antennas@antcom.com . <http://www.antcom.com>

NOTICE OF PROPRIETARY RIGHTS
 THIS DOCUMENT CONTAINS CONFIDENTIAL, TECHNICAL DATA INCLUDING TRADE SECRETS PROPRIETARY TO ANTCOM CORP. DISCLOSURE OF THIS DATA BY YOU IS EXPRESSLY PROHIBITED. YOUR RIGHT THAT ITS USE IS LIMITED TO USE WITHIN YOUR COMPANY ONLY (AND DOES NOT INCLUDE MANUFACTURE OR PROCESSING UNLESS ANY OTHER USE IS EXPRESSLY PROHIBITED) WITHOUT PRIOR WRITTEN CONSENT OF ANTCOM CORP.



P/N: CPA2902-1-B-10 R-MALE CABLE

SPECIFICATIONS

ELECTRICAL:

FREQUENCY:	(900-928) MHz
RADIATION PATTERN:	OMNIDIRECTIONAL
ANTENNA TYPE:	QUASI DIPOLE
POLARIZATION:	VERTICAL
VSWR:	2:1
GAIN:	0 dBii
IMPEDANCE:	50 Ohms
POWER HANDLING:	200 Watt

MECHANICAL:

SIZE: BASE DIAMETER = 1.00 in. [25.40 mm],
 HEIGHT = 4.50 in [114.30 mm]
 WEIGHT: 13.1 oz (371 g)
 FINISH: BLACK TEFLON COATING
 MATERIAL: STAINLESS STEEL 316 WITH TEFLON COATING
 COMPOSITE RADOME, IMPACT, ABRASION, UV, SOLVENT,
 SKYDROL RESISTANCE, AND FIRE RETARDANT
 CONNECTOR: CPA2902-1-B-10 R-MALE CABLE
 (OPTION: SMA, TNC, N, BNC)

ENVIRONMENTAL:

TEMPERATURE: -67 °F TO +185 °F [-55 °C TO +85 °C]
 ALTITUDE: 70,000 ft.
 VIBRATION: > 30 G's
 LEAKAGE: HERMETICALLY SEAL

FEDERAL & MILITARY SPECIFICATIONS:

DESIGN TO: FAA TSO-C144, DO-160D, D0-228, MIL-C-5541,
 MIL-E-5400, MIL-I-45208A, MIL-STD-810, AND SAE J1455

ACCEPTANCE TEST PROCEDURE: ATP-GPS-L1L2-100

FREQUENCY (GHz)	POLARIZATION:	CONNECTOR:	COLOR:
0.35-0.40: (350-400) MHz	V: VERTICAL	S: SMA; P: PINS	-1: GLOSS WHITE #17925 PER FED-STD-595B
0.40-0.45: (400-450) MHz	L: LHCP	M: MCX; MM: MMCX	-2: LUSTERLESS GRAY #36320 PER FED-STD-595B
0.90-0.93: (900-928) MHz	R: RHCP	N: N; NB: N-Bulkhead	-3: OLIVE DRAB GREEN #34031 PER FED-STD-595B
0.85-1.90: (850-1900) MHz		T: TNC; TB: TNC- Bulkhead	-4: LUSTERLESS BLACK #37036 PER FED-STD-595B
1.20-2.50: (1200-2500) MHz		CPA2X: CPA2902	-5: TAN #33446 PER FED-STD-595B
X.XX-Y.YY:(X,XX-Y,YY) GHz		UU: Black Color Teflon Coating	

P/N: 61.0-0.90-0.93V-109CPA2X-UUB0dB

QUANTITY REQD	DESCRIPTION	PART NO	MATERIAL	ITEM NO
				2
				1

UNLESS OTHERWISE SPECIFIED DIMENSIONS ARE IN INCHES FRACTIONS DECIMALS ANGLES ± 1/64 .004 .005 ± 1°	ORIGINALLY DRAWN S. HUYNH Sept-20-14	ANTCOM CORP. TORRANCE, CALIFORNIA GSM/ISM/UHF OMNI ANTENNA
TOLERANCE 5V/ PER ANG 1/4.5	ORIGINALLY DESIGNED S. HUYNH Sept-20-14	
REMOVE ALL BURRS BREAK EXTERNAL EDGES .005 TO .015	UPDATED S. HUYNH July-19-16	
SMOOTH & POLISH TO R .030 SURET RINSE PER MIL-S-8878 DRY ON A CLEAN & 27.005 MACHINED SURFACES 12°	UPDATE DRAWN P. TRAN July-19-16	
DO NOT SCALE DRAWING	APPROVED S. HUYNH July-19-16	SHEET 1 OF 1 SCALE 1/1