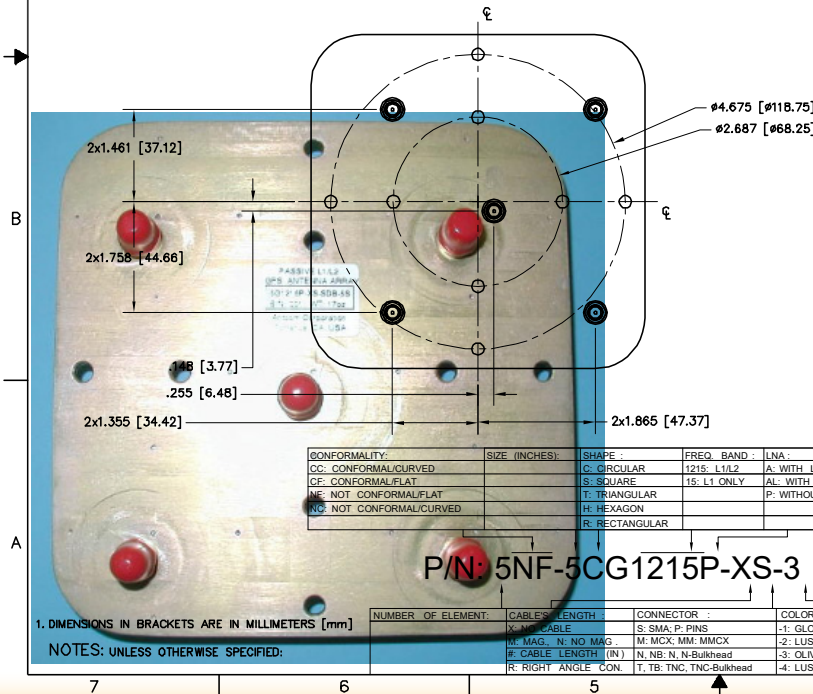
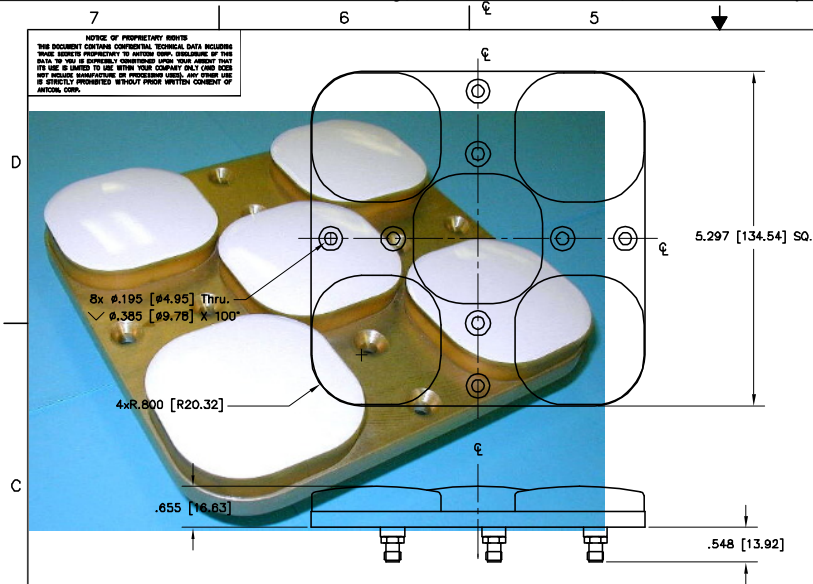


# 5-Element CRPA L1/L2 GPS Antenna Array (5.2" Square. x 0.6" Thick), P/N: 5NF-5SG1215P-XS-X

"-PL-" or "-AL-" for Limiter Options for High Power Pulse Protection

ANTCOM CORPORATION . 367 Van Ness Way, Suite 602 . Torrance, CA 90501 . Tel: (310) 782-1076 . Fax: (310) 782-1086 . E-mail: antennas@antcom.com . http://www.antcom.com

Wide Band GNSS Option Is Available



### SPECIFICATIONS

ELECTRICAL:	
FREQUENCY:	L1: (1575.42 ±12) MHz      L2: (1227.60 ±12) MHz
RADIATION PATTERN:	HEMISPHERICAL
POLARIZATION:	RHCP
VSWR:	< 1.5:1
IMPEDANCE:	50 ohms
ANTENNA ELEMENT GAIN (dBic):	Free Space      3.5 in Dia.      4 ft G.P.      Free Space      3.5 in Dia.      4 ft G.P.
@ 90° (ZENITH):	+4.5      +5.4      +2.4      +2.5      +4.1      +5.6
@ 10° Elevation:	-1.5      -1.6      -1.7      -4.3      -3.2      -2.8
@ 20° Elevation:	0.0      0.0      +0.9      -3.0      -1.6      +0.5
@ 30° Elevation:	+1.1      +1.3      +2.0      -1.5      -0.3      +2.4
@ 60 - 90° Elevation:	> 3.0      > 4.2      > 2.5      > 1.7      > 2.7      > 3.6
BEAM WIDTH (3dB):	112 Deg.      102 Deg.      145 Deg.      104 Deg.      93 Deg.      80 Deg.
AXIAL RATIO:	2 dB      2 dB
NULL DEPTH:	> 30 dB (Analog), 55-60 dB (Digital)
LIGHTNING PROTECTION:	DC GROUNDING
POWER HANDLING:	200 Watt CW

### MECHANICAL:

SIZE: 5.297 in. [134.54 mm] SQ.  
 HEIGHT: 0.655 in. [16.63 mm]  
 WEIGHT: XX oz. (XX Kg)  
 FINISH: SKYDROL RESISTANT POLYURETHANE ENAMEL  
 BASE IRIDITE PER MIL-C-5441  
 MATERIAL: 6061-T6 ALUMINUM ALLOY BASE  
 COMPOSITE RADOME, IMPACT, ABRASION, UV, SOLVENT,  
 SKYDROL RESISTANCE, AND FIRE RETARDANT  
 CONNECTOR: SMA FEMALE  
 (OPTION: TNC, TNC Bulkhead, N, N Bulkhead,  
 MCX, MMCX, or Cable)

### ENVIRONMENTAL:

TEMPERATURE: -67 °F TO +185 °F [-55 °C TO +85 °C]  
 ALTITUDE: 70,000 ft.  
 VIBRATION: > 30 G's  
 LEAKAGE: HERMETICALLY SEAL

### FEDERAL & MILITARY SPECIFICATIONS:

DESIGN TO: FAA TSO-C144, DO-160D, D0-228, MIL-C-5541,  
 MIL-E-5400, MIL-I-45208A, MIL-STD-810, AND SAE J1455

### ACCEPTANCE TEST PROCEDURE: ATP-GPS-L1L2-100

QTY	DESCRIPTION	PART NO	FINISH	REF
4	MOUNTING SCREWS: 10-32, 3/4"	MS24693C274	-	5
A/R	-	-	-	3
1	1	-	-	1
-2	-1	-	-	1

CONFORMALITY:	SIZE (INCHES):	SHAPE:	FREQ. BAND:	LNAs:
CC: CONFORMAL CURVED		C: CIRCULAR	1215: L1/L2	A: WITH LNA
CF: CONFORMAL FLAT		S: SQUARE	15: L1 ONLY	AL: WITH LNALIMITER
NC: NOT CONFORMAL/FLAT		T: TRIANGULAR		
NC: NOT CONFORMAL/CURVED		H: HEXAGON		
		R: RECTANGULAR		

P/N: 5NF-5CG1215P-XS-3

NUMBER OF ELEMENT:	CABLES LENGTH:	CONNECTOR:	COLOR:
X: NOT APPLICABLE	X: NOT APPLICABLE	S: SMA; P: PINS	-1: GLOSS WHITE #17925 PER FED-STD-595B
M: MAC; N: NO MAG	M: MAC; N: NO MAG	M: MCX; MM: MMCX	-2: LUSTERLESS GRAY #36320 PER FED-STD-595B
F: CABLE LENGTH (IN)	F: CABLE LENGTH (IN)	N: NB; N: N-Bulkhead	-3: OLIVE DRAB GREEN #34311 PER FED-STD-595B
R: RIGHT ANGLE CON	R: RIGHT ANGLE CON	T: TB; TNC; TNC-Bulkhead	-4: LUSTERLESS BLACK #37038 PER FED-STD-595B

UNLESS OTHERWISE SPECIFIED DIMENSIONS ARE IN INCHES	FRAC TIONS TO DECIMALS	DECIMALS TO FRACTIONS	ANGLES
± 1/64	0.0015	0.0015	± 1°
TOLERANCE SHIP PER AMS 7145			
REMOVE ALL BURRS			
BREAK EXTERNAL EDGES TO 45°			
FLATS & CHAMFERS TO 45° UNLESS OTHERWISE SPECIFIED			
MACHINED SURFACES			
DO NOT SCALE DRAWING			

**ANTCOM CORP.** TORRANCE CALIFORNIA

OUTLINE DRAWING:  
 5 ELEMENT L1L2 GPS  
 SQUARE ANTENNA ARRAY

DESIGNED: M. BOAS  
 May-29-01

DRAWN: S. HUYNH  
 May-29-01

APPROVED: S. HUYNH  
 May-29-01

SCALE 1/1

SHEET 1 OF 1

Antenna Mounts: http://www.antcom.com/documents/catalogs/PeripheralAntennaProducts2.pdf  
 Amplifiers/Power Divider/Combiner/Filters: http://www.antcom.com/documents/catalogs/PeripheralAntennaProducts1.pdf