



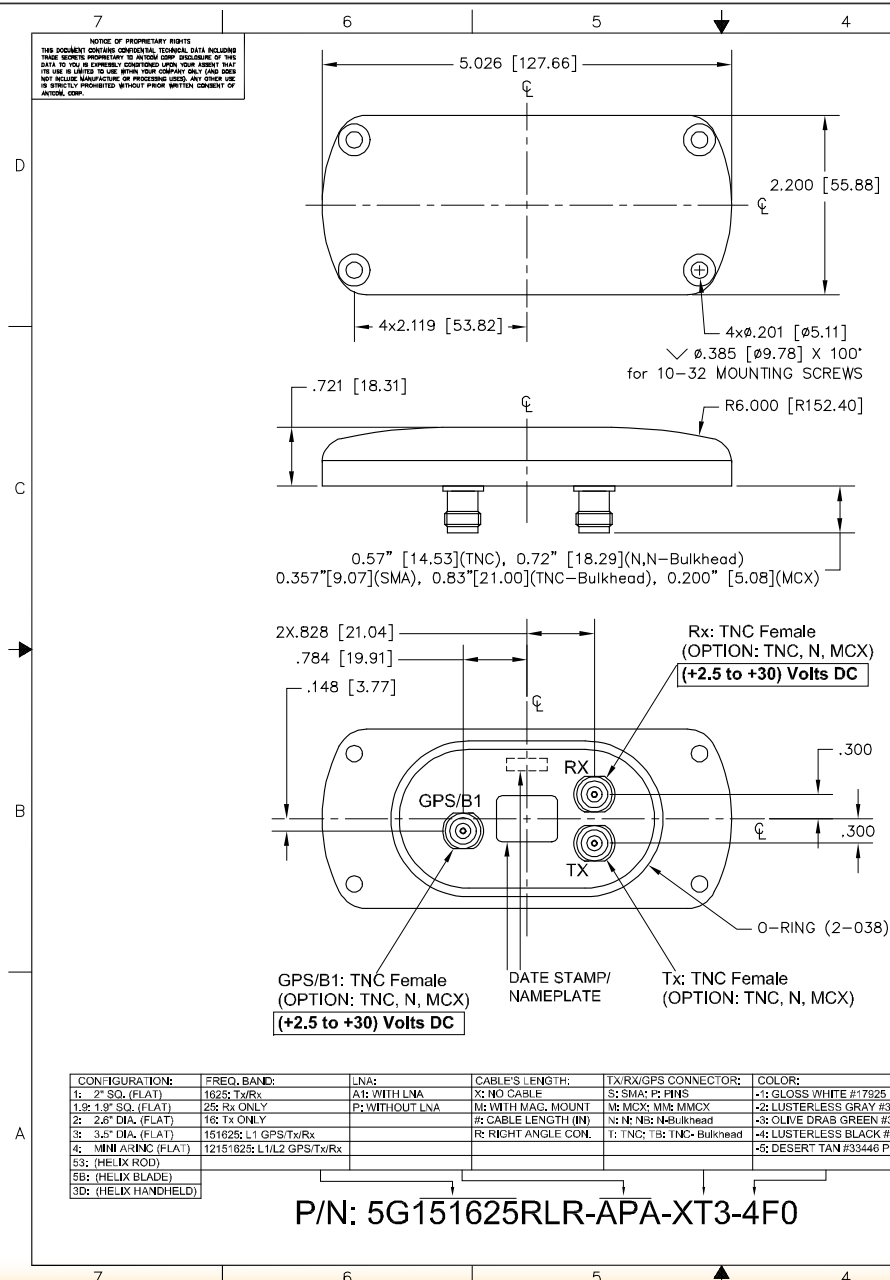
ISO 9001:2008/FAA Approved Facility

L1 GPS + Tx/Rx Beidou Antenna, P/N: 5G151625RLR-APA-XT3-4F0
 L1 GPS / B1 + Tx/Rx Beidou Antenna, P/N: 5GB1151625RLR-APA-XT3-4F0

Other Frequencies, Connectors, and Colors are Available



ANTCOM CORPORATION . 367 Van Ness Way, Suite 602 . Torrance, CA 90501 . Tel: (310) 782-1076 . Fax: (310) 782-1086 . E-mail: antennas@antcom.com . http://www.antcom.com



P/N: 5G151625RLR-APA-XT3-4F0

SPECIFICATIONS

	TX		RX		L1 GPS / B1	
	(1610 - 1625) MHz		(2484 - 2499) MHz		(1575.42 / 1561) MHz	
ELECTRICAL:						
FREQUENCY:	(1610 - 1625) MHz		(2484 - 2499) MHz		(1575.42 / 1561) MHz	
RADIATION PATTERN:	HEMISPHERICAL					
POLARIZATION:	LHCP		RHCP		RHCP	
VSWR:	2:1		2:1		2:1	
GAIN (dB):	F.S	4 ft G.P.	F.S	4 ft G.P.	F.S	4 ft G.P.
@ 90° (Zenith):	+4.9	+4.2	+3.7	+1.8	+4.6	+2.9
@ 10° Elevation (Ave):	-2.4	-1.3	-3.2	-1.8	-2.5	-1.8
@ 20° Elevation (Ave):	-0.8	+1.4	-1.6	+0.9	-1.1	+0.7
@ 30° Elevation (Ave):	+0.8	+2.3	-0.2	+0.2	+0.5	+1.7
@ 45° Elevation (Ave):	+2.8	+2.2	+1.3	+0.6	> 3.6	> 2.1
@ 70° Elevation (Ave):	+4.6	+3.5	+3.2	+0.6	> 3.6	> 2.1
AXIAL RATIO @ Zenith:	2 dB		2 dB		2 dB	
POWER HANDLING:	>5 W		1 Watt		1 Watt	
DC GROUNDING:	YES (LIGHTNING PROTECTION)					
FILTER (REJ. @1616 MHz):	57 dB					
REJECTION @ (-50/+50) MHz @ (-100/+100) MHz:	-45 dB / -70 dB < -65 dB					
LNA GAIN:	N/A		(35 +/- 1) dB		34 dB (P1dBout = +13 dBm)	
LNA NOISE FIGURE:	N/A		2.8 dB		2.4 dB	
LNA VOLTAGE:	N/A		(+2.5 to +30) Volts DC FROM Rx RF CON.		2.5V/20mA, 3V/20mA, 3.3V/20mA, (2.5-24)V/<30mA	
LNA DRAWING CURRENT:	N/A		< 38 mA			

MECHANICAL:

MECHANICAL:	
SIZE:	WIDTH: 2.20 In. [55.88 mm], LENGTH: 5.026 In [127.66 mm] HEIGHT: 0.721 in. [18.31 mm]
WEIGHT:	8.0 oz. (226 g)
FINISH:	SKYDROL RESISTANT POLYURETHANE ENAMEL BASE IRIDITE PER MIL-C-5441F
MATERIAL:	6061-T6 ALUMINUM ALLOY BASE COMPOSITE RADOME, IMPACT, ABRASION, UV, SOLVENT AND SKYDROL RESISTANCE, FIRE RETARDANT
CONNECTOR:	TNC FEMALE (OPTION: SMA, TNC Bulkhead, N, MCX, MMCX, or Cable)

ENVIRONMENTAL:

ENVIRONMENTAL:	
TEMPERATURE:	-67 °F TO +185 °F [-55 °C TO +85 °C]
ALTITUDE:	70,000 ft.
VIBRATION:	> 30 G's
LEAKAGE:	HERMETICALLY SEALED

FEDERAL & MILITARY SPECIFICATIONS:

DESIGN TO:	FAA TSO-C144, DO-160D, D0-228, MIL-C-5541, MIL-E-5400, MIL-I-45208A, MIL-STD-810, AND SAE J1455
-------------------	--

QUANTITY REQD	DESCRIPTION	PART NO	MATERIAL	FINISH	ITEM NO
4	MOUNTING SCREW: (10-32, 1")	MS24693C276	-	-	3
1	ADHESIVE GASKET	123456-3M-4G	-	-	2
1	0-RING	2-038	-	-	1

UNLESS OTHERWISE SPECIFIED DIMENSIONS ARE IN INCHES FRACTIONS DECIMALS ANGLES TOLERANCES UNLESS OTHERWISE SPECIFIED	ORIGINALLY DRAWN	S. HUYNH	DEC-13-02
± 1/64	ORIGINALLY DESIGNED	S. HUYNH <td>DEC-13-02</td>	DEC-13-02
TOLERANCE SURF PER ANSI Y14.5 REMOVE ALL SURF. BREAK SYSTEMS EDGES .000 TO .010 FILED # 000 TO # 004 SCREW HEADS PER MIL-C-8878 DIA'S ON A COLUMN 2 OF 000 MACHINED SURFACES 1/2	UPDATED	S. HUYNH <td>OCT-13-15</td>	OCT-13-15
	UPDATE DRAWN	P. TRON <td>OCT-13-15</td>	OCT-13-15
DO NOT SCALE DRAWING	APPROVED	S. HUYNH <td>OCT-13-15</td>	OCT-13-15

ANTCOM CORP.		TORRANCE CALIFORNIA	
FLAT FIXED MOUNT BEIDOU/L1 GPS ANTENNA			
REV	DATE	BY	CHK
D	30VE1	S. HUYNH	5G151625RLR-APA-XT3-4F0
SCALE 1/1		SHEET 1 OF 1	