



FAA Approved Facility

GPS/GSM(ISM)-Band Antenna

P/N: 5G09G5RL-PA-XSS-UU (L1/L2 GPS/Glonass/OmniStar/TerraStar /ISM, SMA Connector)

P/N: 5G09G3RL-PA-XSS-UU (L1 GPS/Glonass/OmniStar/TerraStar /ISM, SMA Connector)

P/N: 5G0915RL-PA-XSS-UU (L1 GPS/ISM, SMA Connector),

P/N: 5G091215RL-PA-XSS-UU (L1/L2 GPS/ISM, SMA Connector)

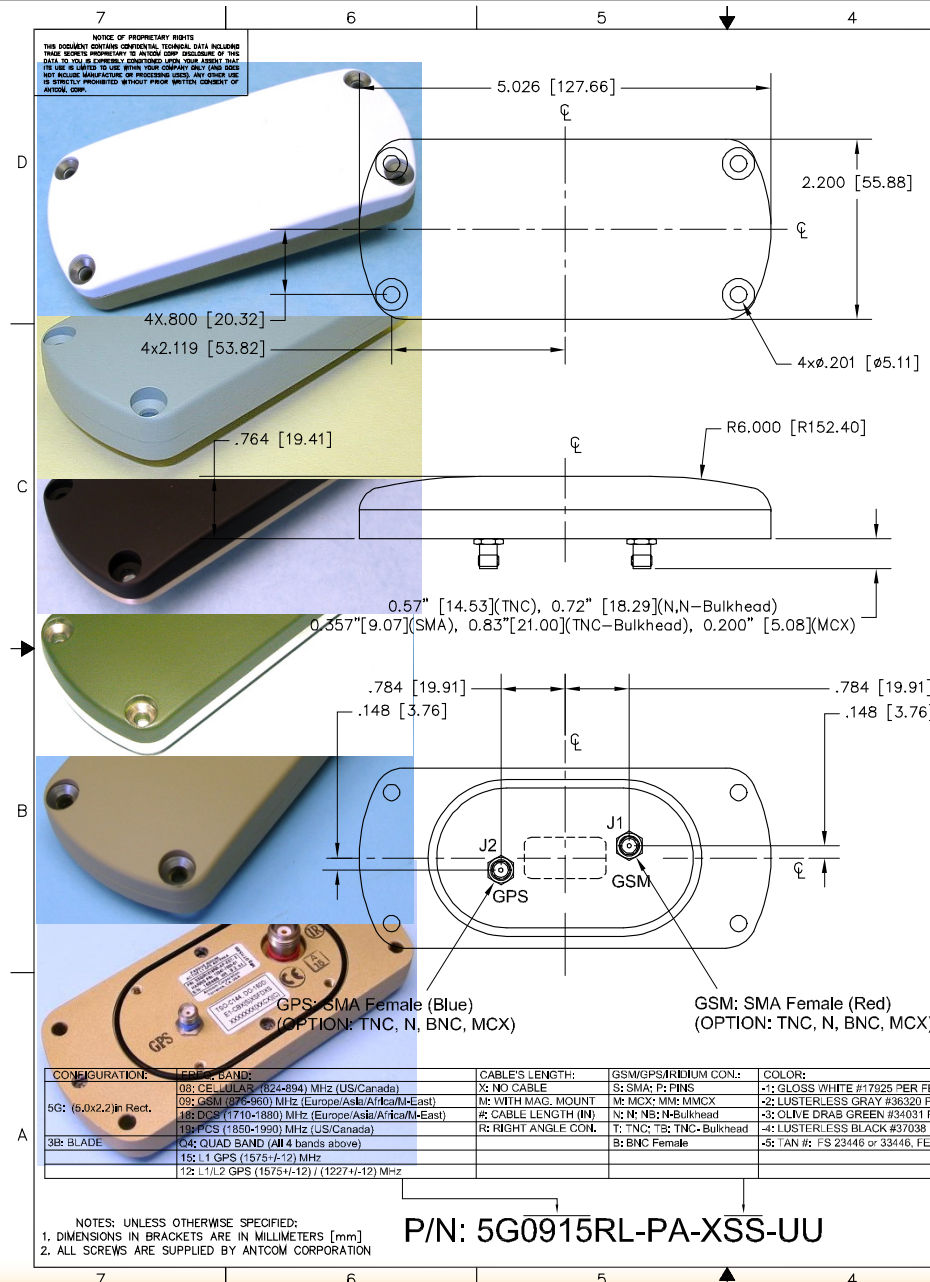
Other Frequencies and Connectors are Also Available

Antenna Mounts: <http://www.antcom.com/documents/catalogs/PeripheralAntennaProducts2.pdf>



ANTCOM CORPORATION . 367 Van Ness Way, Suite 602 . Torrance, CA 90501 . Tel: (310) 782-1076 . Fax: (310) 782-1086 . E-mail: antennas@antcom.com . <http://www.antcom.com>

“-HF” for High Iridium/Inmarsat/Thuraya-Rejection Front End Filter Option: -22dB@1616MHz, -34dB@1625-1660MHz
“-HFO” for Additional OmniStar/TerraStar Rejection: -27dB@1545MHz



SPECIFICATIONS		REVISIONS			
ZONE	REV	DESCRIPTION	DATE	APPROVED	
ELECTRICAL:					
FREQUENCY:		GPS (L1 or L1/L2, See P/N in Bottom Table)		GSM(ISM)	
RADIATION PATTERN:		L1: (1575.4 ±13) L2: (1227.6 ±13) MHz		(See Bottom Table)	
POLARIZATION:		HEMISPHERICAL		Verticle / Horizontal	
VSWR:		RHCP		OMNI	
GAIN (dB):		< 1.5:1		< 2:1	
@ 90° (Zenith):		F.S.	4 ft G.P	F.S.	4 ft G.P
@ 10° Elevation:		+ 4.6	+ 2.9	+ 1.8	+ 5.3
@ 20° Elevation:		- 2.5	- 1.8	- 4.2	- 2.3
@ 30° Elevation:		- 1.1	+ 0.7	- 2.9	+ 0.4
@ 60° to 90° Elevation:		+ 0.5	+ 1.7	- 2.0	+ 2.3
BEAM WIDTH (3dB):		> 3.6	> 2.1	> 0.9	> 3.2
AXIAL RATIO @ Zenith:		103 °	146 °	108 °	74 °
POWER HANDLING:		2 dB			
LIGHTNING PROTECTION:		1 Watt			
FILTER:		DC GROUNDING			
LNA GAIN:		2 2-POL			
LNA P 1dB Out:		(33.0±1.0) dB			
LNA NOISE FIGURE:		+16 dBm			
VOLTAGE/CURRENT:		2.9 dB (Filter loss is Included)			
		(+2.8 TO +28) Volts DC / (30 TO 50) mA			

MECHANICAL:	
SIZE:	WIDTH: 2.20 in. [55.88 mm], LENGTH: 5.026 in. [127.66 mm] HEIGHT: 0.764 in. [19.41 mm]
WEIGHT:	< 8.0 oz. (226 g)
FINISH:	SKYDROL RESISTANT POLYURETHANE ENAMEL BASE IRIDITE PER MIL-C-5441
MATERIAL:	6061-T6 ALUMINIUM ALLOY BASE COMPOSITE RADOME, IMPACT, ABRASION, UV, SOLVENT, AND SKYDROL RESISTANCE, FIRE RETARDANT
CONNECTOR:	GPS: TNC-F (Blue), IRIDIUM: TNC-F (Red), XM: TNC-F (Green) (OPTION: SMA, TNC, TNC Bulkhead, N, N Bulkhead, BNC, MCX, MMCX, or Cable)
MOUNTING:	FLAT FIXED MOUNT: O-RING & 4 x 10-32 MOUNTING SCREWS PROVIDED
ENVIRONMENTAL:	
TEMPERATURE:	-67 °F TO +185 °F [-55 °C TO +85 °C]
ALTITUDE:	70,000 ft.
VIBRATION:	> 30 G's
LEAKAGE:	HERMETICALLY SEALED
FEDERAL & MILITARY SPECIFICATIONS:	
DESIGN TO:	FAA TSO-C144, DO-160D, D0-228, MIL-C-5541, MIL-E-5400, MIL-I-45208A, MIL-STD-810, AND SAE J1455

CONFIGURATION:	LEADS BAND:	CABLE'S LENGTH:	GSM/GPS/IRIDIUM CON:	COLOR:
5G: (6.0x2.2) in Rect.	08: CEL (ULAR) (624-894) MHz (US/Canada)	X: NO CABLE	S: SMA; P: PINS	-1: GLOSS WHITE #17925 PER FED-STD-595B
3B: BLADE	09: GSM (935-960) MHz (Europe/Asia/Africa/East)	M: WITH MAG. MOUNT	M: MCX; MM: MMCX	-2: LUSTERLESS GRAY #36220 PER FED-STD-595B
	16: DCS (1710-1980) MHz (Europe/Asia/Africa/East)	R: CABLE LENGTH (IN)	N: N; NB: N-Bulkhead	-3: OLIVE DRAB GREEN #34031 PER FED-STD-595B
	15: PCS (1850-1900) MHz (US/Canada)	R: RIGHT ANGLE CONL	T: TNC; TB: TNC-Bulkhead	-4: LUSTERLESS BLACK #37038 PER FED-STD-595B
	C4: QUAD BAND (All 4 bands above)		B: BNC Female	-5: TAN #: FS 23446 or 33446, FED-STD-595
	15: L1 GPS (1575±12) MHz			
	12: L1/L2 GPS (1575±12) J1 (1227±12) MHz			

NOTES: UNLESS OTHERWISE SPECIFIED:
1. DIMENSIONS IN BRACKETS ARE IN MILLIMETERS [mm]
2. ALL SCREWS ARE SUPPLIED BY ANTCOM CORPORATION

P/N: 5G0915RL-PA-XSS-UU

QUANTITY	RECD	DESCRIPTION	PARTS LIST	PART NO	FINISH	REQ
4		PANHEAD SCREW, 10-32, 1" L (Item 579)		MS24693C276	-	2
1		O-RING, Item 552		2-038-N756-75	-	1

UNLESS OTHERWISE SPECIFIED DIMENSIONS ARE IN INCHES FRACTIONS TOLERANCES DECIMAL ANGLES ± 1/64 .002 .015 ± .1°		ORIGINALLY DESIGNED	S. HUYNH	July-12-09
TOLERANCE SYM PER ANSI Y14.5 REMOVE ALL SHARP BREAK EXTERNAL EDGES .005 TO .015 SCREW HEADS PER MIL-C-8878 DIA'S OR A DIMEN & 2X .005 MACHINED SURFACES 12X		ORIGINALLY DESIGNED	S. HUYNH	July-12-09
DO NOT SCALE DRAWING		UPDATED	S. HUYNH	Feb-19-14
		UPDATE DRAWN	P. TRAN	Feb-19-14
		APPROVED	S. HUYNH	Feb-19-14

ANTCOM CORP. TORRANCE CALIFORNIA			
FLAT FIXED MOUNT GSM(ISM)/GPS ANTENNA			
REV	DATE	BY	APP'D
D	3CVE1	S. HUYNH	S. HUYNH
SCALE 1/1		SHEET 1 OF 1	