



# UHF Antenna

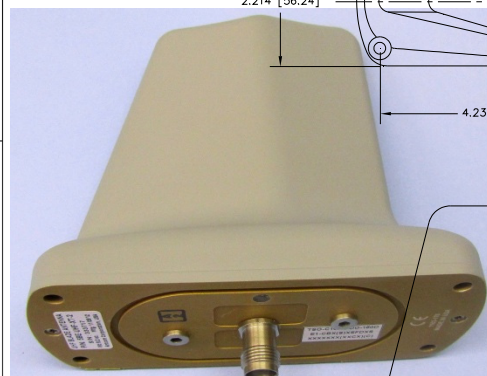

## P/N: 5BE-UHF-XT-2

### 4.75" Tall Blade Configuration



ISO 9001:2008/FAA Approved Facility Antenna Mounts/Adapters: <http://www.antcom.com/documents/catalogs/PeripheralAntennaProducts2.pdf>

ANTCOM CORPORATION . 367 Van Ness Way, Suite 602 . Torrance, CA 90501, USA . Tel: (310) 782-1076 . Fax: (310) 782-1086 . E-mail: [antennas@antcom.com](mailto:antennas@antcom.com) . <http://www.antcom.com>

### SPECIFICATIONS

REVISIONS	
ZONE	REV

**ELECTRICAL:**

FREQUENCY (MHz):	UHF
RADIATION PATTERN:	OMNIDIRECTIONAL
POLARIZATION:	VERTICAL
VSWR:	2:1
IMPEDANCE:	50 ohms
ANTENNA GAIN (dBic):	
@ 90° (ZENITH):	
@ 10° Elevation:	> 1.5 dB
@ 20° Elevation:	
@ 30° Elevation:	
@ 60 - 90° Elevation:	
BEAM WIDTH (3dB):	OMNIDIRECTIONAL
LIGHTNING PROTECTION:	DC GROUNDING

**MECHANICAL:**

SIZE: WIDTH 2.214 in. [56 mm], LENGTH 5.040 in. [128 mm], HEIGHT 5.163 in. [131 mm]

WEIGHT: 14.9 oz. (422g)

FINISH: SKYDROL RESISTANT POLYURETHANE ENAMEL BASE IRIDITE PER MIL-C-5541F

COLOR: LUSTERLESS GRAY #36320 PER FED-STD-595B  
GLOSS WHITE #17925 PER FED-STD-595B  
OLIVE DRAB GREEN #34031 PER FED-STD-595B  
LUSTERLESS BLACK #37038 PER FED-STD-595B

MATERIAL: 6061-T6 ALUMINUM ALLOY BASE  
COMPOSITE RADOME, IMPACT, ABRASION, UV, SOLVENT, SKYDROL RESISTANCE, AND FIRE RETARDANT

CONNECTOR: UHF: TNC-FEMALE  
(OPTION: SMA, N, BNC, OR F)

MOUNTING: FLAT FIXED MOUNT; O-RING & 10-32 MOUNTING SCREWS ARE PROVIDED

**ENVIRONMENTAL:**

TEMPERATURE: -67°F to +185°F [-55°C to +85°C]

ALTITUDE: 70,000 ft.

VIBRATION: 30 G's

LEAKAGE: HERMETICALLY SEALED

**FEDERAL & MILITARY SPECIFICATIONS:**

FAA TSO-C144, DO-160D, D0-228, MIL-C-5541, MIL-STD-461E/F, SAE J1455  
MIL-E-5400, MIL-I-45208A, MIL-STD-810, MIL-S-901D, MIL-STD-167-1A

NOTES: UNLESS OTHERWISE SPECIFIED:

- 0-RING AND MOUNTING SCREWS ARE SUPPLIED BY ANTCOM CORPORATION
- DIMENSIONS IN BRACKETS ARE IN MILLIMETERS [mm]

SIZE	DESCRIPTION	PART NO	FINISH	QTY
1: 2" SQ	10-32 SCREW, MOUNTING, 1.25in	MS24693-C278	-	2
1.9: 1.9" SQ	O-RING	2-038-N756-75	-	1
2: 2.0" DIA				
3: 3.5" DIA				
4: MINI ARINC				
5B: Blade, 53: Rod				

P/N: 5BE-UHF-XT-2

CABLE LENGTH:	CONNECTOR:	COLOR:
X: NO CABLE	S: SMA; B: BNC; F: F	-1: GLOSS WHITE #17925 PER FED-STD-595B
M: WITH MOUNT	M: MCK; MM: MMMC	-2: LUSTERLESS GRAY #36320 PER FED-STD-595B
# CABLE LENGTH (IN)	N: NIN-Bulkhead	-3: OLIVE DRAB GREEN #34031 PER FED-STD-595B
R: RIGHT ANGLE CON.	T: TB; TNC; TNC-Bulkhead	-4: LUSTERLESS BLACK #37038 PER FED-STD-595B
		-5: DESERT TAN #33440 PER FED-S10-595B

ANTCOM CORP.

UHF BLADE ANTENNA

DATE: 3CVE1 5BE-UHF-XT-2

SCALE: 1/1

SHEET 1 OF 1

NMO Connector Option is Now Available for Some Antennas