

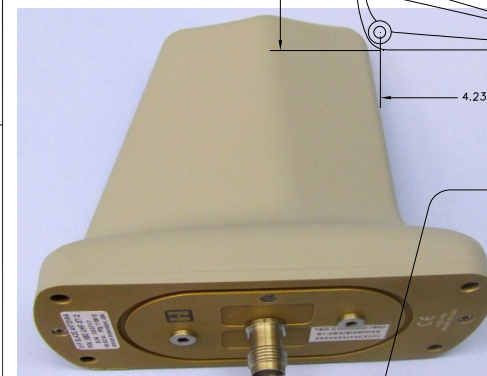

UHF Antenna

P/N: 5BE-UHF-XT-2

4.75" Tall Blade Configuration



ANTCOM CORPORATION . 367 Van Ness Way, Suite 602 . Torrance, CA 90501, USA . Tel: (310) 782-1076 . Fax: (310) 782-1086 . E-mail: antennas@antcom.com . <http://www.antcom.com>

SPECIFICATIONS

ELECTRICAL:

FREQUENCY (MHz):	UHF
RADIATION PATTERN:	OMNIDIRECTIONAL
POLARIZATION:	VERTICAL
VSWR:	2:1
IMPEDANCE:	50 ohms
ANTENNA GAIN (dBic):	
@ 90° (ZENITH):	
@ 10° Elevation:	> 1.5 dB
@ 20° Elevation:	
@ 30° Elevation:	
@ 60 - 90° Elevation:	
BEAM WIDTH (3dB):	OMNIDIRECTIONAL
LIGHTNING PROTECTION:	DC GROUNDING

MECHANICAL:

SIZE: WIDTH 2.214 in. [56 mm], LENGTH 5.040 in. [128 mm], HEIGHT 5.163 in. [131 mm]

WEIGHT: 14.9 oz. (422g)

FINISH: SKYDROL RESISTANT POLYURETHANE ENAMEL BASE IRIDITE PER MIL-C-5541F

COLOR: LUSTERLESS GRAY #36320 PER FED-STD-595B
GLOSS WHITE #17925 PER FED-STD-595B
OLIVE DRAB GREEN #34031 PER FED-STD-595B
LUSTERLESS BLACK #37038 PER FED-STD-595B

MATERIAL: 6061-T6 ALUMINUM ALLOY BASE
COMPOSITE RADOME, IMPACT, ABRASION, UV, SOLVENT, SKYDROL RESISTANCE, AND FIRE RETARDANT

CONNECTOR: UHF: TNC-FEMALE
(OPTION: SMA, N, BNC, OR F)

MOUNTING: FLAT FIXED MOUNT; O-RING & 10-32 MOUNTING SCREWS ARE PROVIDED

ENVIRONMENTAL:

TEMPERATURE: -67°F TO +185°F [-55°C TO +85°C]

ALTITUDE: 70,000 ft.

VIBRATION: 30 G's

LEAKAGE: HERMETICALLY SEALED

FEDERAL & MILITARY SPECIFICATIONS:

FAA TSO-C144, DO-160D, D0-228, MIL-C-5541, MIL-STD-461E/F, SAE J1455
MIL-E-5400, MIL-I-45208A, MIL-STD-810, MIL-S-901D, MIL-STD-167-1A

NOTES: UNLESS OTHERWISE SPECIFIED:

- DIMENSIONS IN BRACKETS ARE IN MILLIMETERS [mm]
- O-RING AND MOUNTING SCREWS ARE SUPPLIED BY ANTCOM CORPORATION

ZONE	REV	DESCRIPTION	DATE	APPROVED	
4		10-32 SCREW, MOUNTING, 1.25in	MS24693-C278	-	2
1		O-RING	2-038-N756-75	-	1

P/N: 5BE-UHF-XT-2

CABLE LENGTH:	CONNECTOR:	COLOR:
X: NO CABLE	S: SMA; B: BNC; F: F	-1: GLOSS WHITE #17925 PER FED-STD-595B
M: WITH MGN. MOUNT	M: MCK; MM: MMMC	-2: LUSTERLESS GRAY #36320 PER FED-STD-595B
# CABLE LENGTH (IN)	N: NIN-Bulkhead	-3: OLIVE DRAB GREEN #34031 PER FED-STD-595B
R: RIGHT ANGLE CON.	T: TB; TNC; TNC-Bulkhead	-4: LUSTERLESS BLACK #37038 PER FED-STD-595B
		-5: LUSTERLESS GRAY #36320 PER FED-STD-595B

1. 2" SQ

1.9: 1.9" SQ

2: 2.0" DIA

3: 3.5" DIA

4: MINI ARINC

5B: Blade, 53: Rod

UNLESS OTHERWISE SPECIFIED DIMENSIONS ARE IN INCHES

FRACTIONS: TOLERANCES ARE ANGLES

± 1/64 .XXX ± .005 ± 1°

TOLERANCE SW PER ANSI Y14.5

REMOVE ALL BURRS

DRILL TOLERANCE: DIMS .000 TO .015

FAILETS .005 TO .010

CREW THREADS PER UN-3-6870

DIA'S ON A COMMON ± .0008

MACHINED SURFACES

DO NOT SCALE DRAWING

ANTCOM CORP. TORRANCE, CALIFORNIA

UHF BLADE ANTENNA

REV: D 3CWE1 5BE-UHF-XT-2

SCALE: 1/1

SHEET 1 OF 1

ORIGINAL DRAWN: S. HUYNH Sep-23-11

ORIGINAL DESIGNED: S. HUYNH Sep-23-11

UPDATED: S. HUYNH Oct-31-12

UPDATE DRAWN: P. TRAN Oct-31-12

APPROVED: S. HUYNH Oct-31-12

NMO Connector Option is Now Available for Some Antennas