



(225-500) MHz UHF/S-Band Antenna, P/N: 5BE-225-500-S-XNT-2-C130ADP Rev A

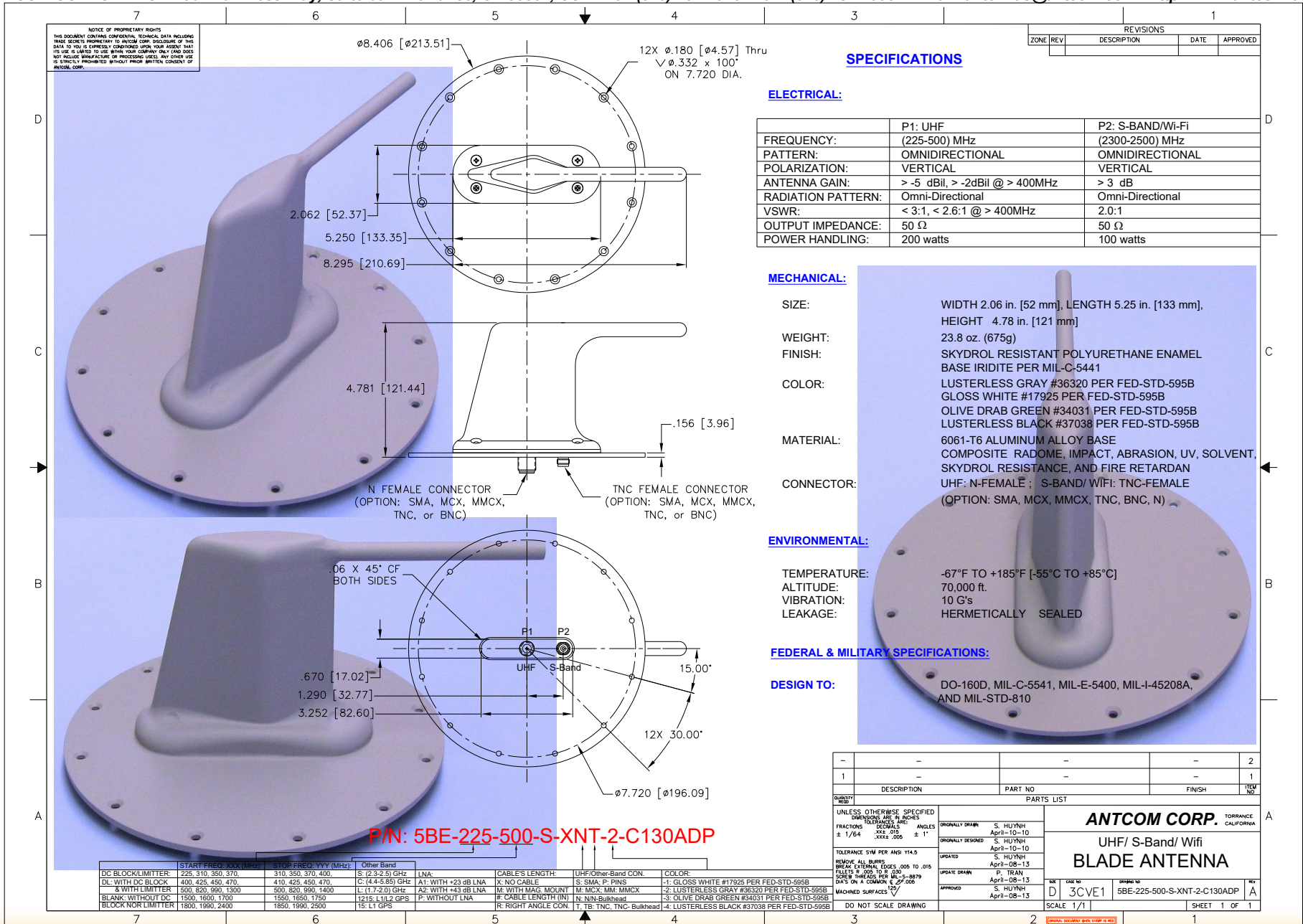
(225-500) MHz UHF/L-Band Antenna, P/N: 5BE-225-500-L-XNT-2-C130ADP Rev A

4.6" Tall Blade Configuration



ISO 9001:2008/FAA Approved Facility Antenna Mounts/Adapters: <http://www.antcom.com/documents/catalogs/PeripheralAntennaProducts2.pdf>

ANTCOM CORPORATION . 367 Van Ness Way, Suite 602 . Torrance, CA 90501, USA . Tel: (310) 782-1076 . Fax: (310) 782-1086 . E-mail: antennas@antcom.com . <http://www.antcom.com>



P/N: 5BE-225-500-S-XNT-2-C130ADP

NMO Connector Option is Now Available for Some Antennas