



(225-500) MHz UHF / L1/L2 GPS Antenna, P/N: 5BE-225-500-1215-PA-XNT-2-C130ADP Rev A

(or 5BE-225-500-1215-XNT-2-C130ADP Rev A)

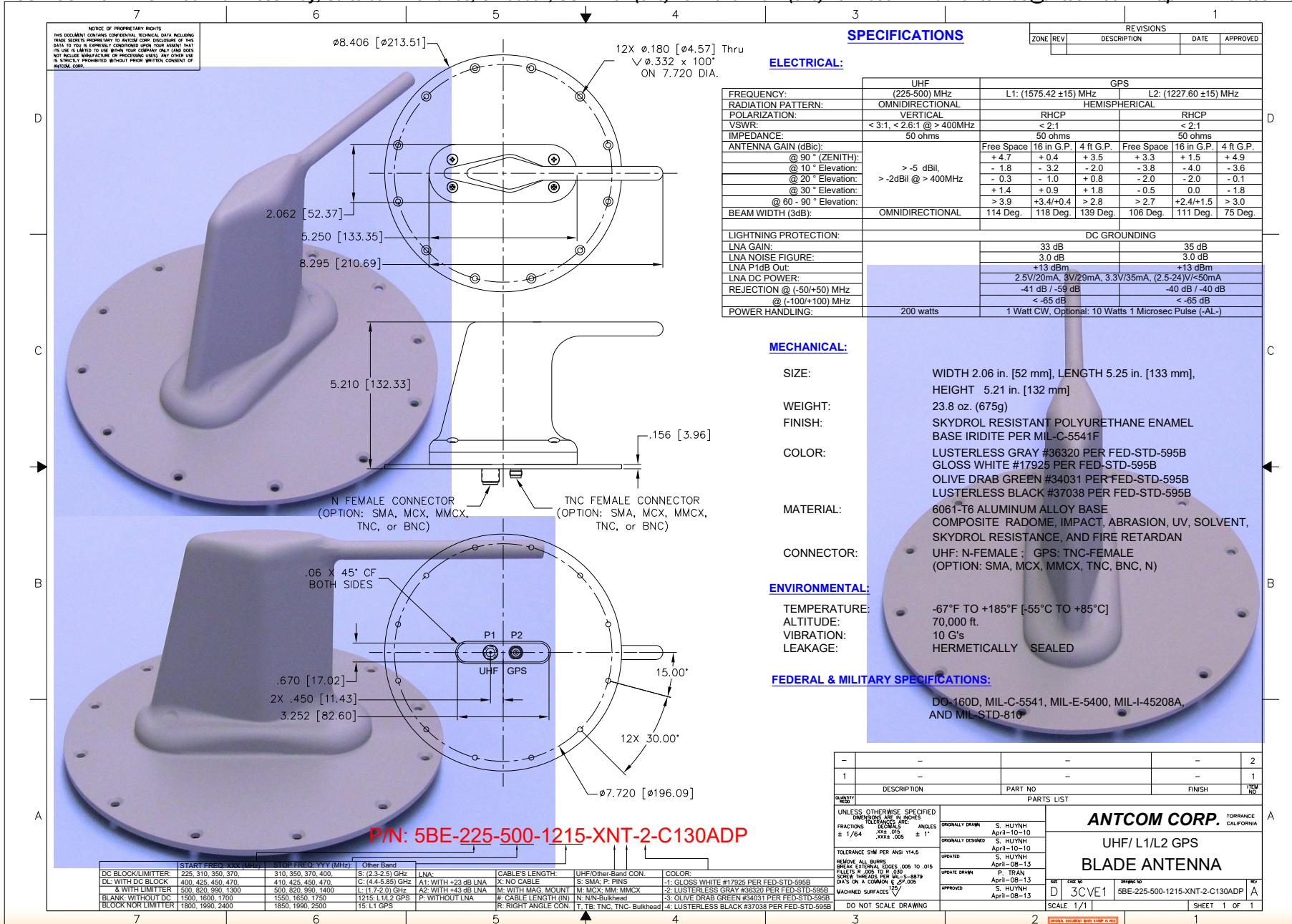
5" Tall Blade Configuration



FAA Approved
TSO Antennas

ISO 9001:2008/FAA Approved Facility Antenna Mounts/Adapters: <http://www.antcom.com/documents/catalogs/PeripheralAntennaProducts2.pdf>

ANTCOM CORPORATION . 367 Van Ness Way, Suite 602 . Torrance, CA 90501, USA . Tel: (310) 782-1076 . Fax: (310) 782-1086 . E-mail: antennas@antcom.com . <http://www.antcom.com>



NMO Connector Option is Now Available for Some Antennas