
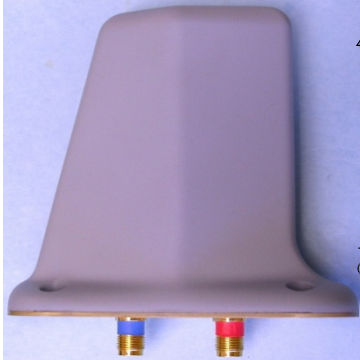



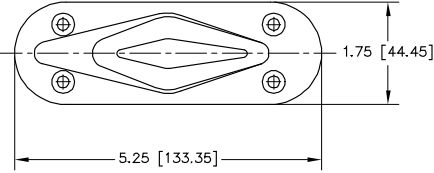
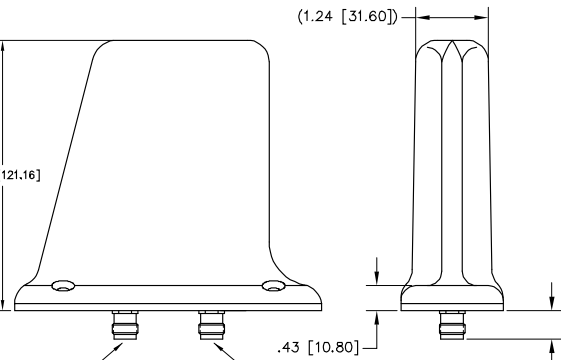
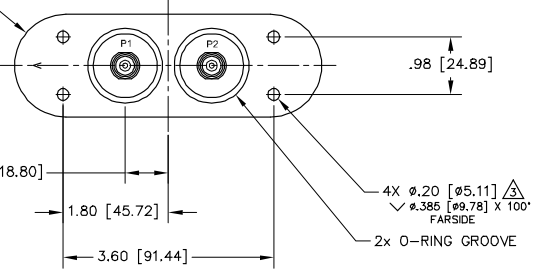


# (0.8-2.7)GHz/(3.8-6.8) GHz, S/C-Band Antenna, P/N: 5B-S-C-BANDVV-XTT-2, 4.6" Tall Blade Configuration

ANTCOM CORPORATION . 367 Van Ness Way, Suite 602 . Torrance, CA 90501, USA . Tel: (310) 782-1076 . Fax: (310) 782-1086 . E-mail: [antennas@antcom.com](mailto:antennas@antcom.com) . <http://www.antcom.com>

NOTICE OF PROPRIETARY RIGHTS  
THIS DOCUMENT CONTAINS CONFIDENTIAL, TECHNICAL DATA INCLUDING TRADE SECRETS PROPRIETARY TO ANTCOM. DISCLOSURE OF THIS DATA TO YOU IS EXPRESSLY FORBIDDEN UNLESS YOU AGREE THAT THE USE IS LIMITED TO THE USE FROM YOUR COMPANY. SUCH USE DOES NOT INCLUDE REPRODUCTION OR PRODUCTION. ANY OTHER USE IS EXPRESSLY PROHIBITED WITHOUT PRIOR WRITTEN CONSENT OF ANTCOM, CORP.

### SPECIFICATIONS

ZONE	REV	REVISIONS		
		DESCRIPTION	DATE	APPROVED
A		DATA	11/25/15	S.H

**ELECTRICAL:**

	S-BAND	C-BAND, Wt-Max (UW1), 802.11a
FREQUENCY:	(1.800 - 3.100) GHz	(3.800 - 6.800) MHz
VRC-99B:	(1.708 - 1.784) GHz	
PCS/CDMA/DCS:	(1.850 - 1.990) GHz	
802.11b/g, Blue Tooth, Zigbee:	(2.400 - 2.500) GHz	
Wt-Max (Band III):	(2.300 - 2.700) GHz	
Cellular (Optional):	(0.825 - 0.960) GHz	
VRC-99A (Optional):	(1.308 - 1.356) GHz	

**PATTERN:** OMNIDIRECTIONAL  
**POLARIZATION:** VERTICAL  
**ANTENNA GAIN:** 3.5 dB  
**BEAM WIDTH:** 1/4 WAVE MONOPOLE +/- 25 Deg. EI / 360 Deg. Az  
**VSWR:** (0.8-2.3) GHz: 2.5:1  
(2.4-2.5) GHz: 2.0:1

**OUTPUT IMPEDANCE:** 50 Ω  
**POWER HANDLING:** 50 watts

**MECHANICAL:**

**SIZE:** WIDTH 1.75 in. [44.45 mm], LENGTH 5.25 in. [133.35 mm], HEIGHT 4.77 in. [121.16 mm]  
**WEIGHT:** 9.6 oz. (0.27 Kg)  
**FINISH:** SKYDROL RESISTANT POLYURETHANE ENAMEL  
**COLOR:** LUSTERLESS GRAY #36320 PER FED-STD-595B  
GLOSS WHITE #17925 PER FED-STD-595B  
OLIVE DRAB GREEN #34031 PER FED-STD-595B  
LUSTERLESS BLACK #37038 PER FED-STD-595B  
**MATERIAL:** 6061-T6 ALUMINUM ALLOY BASE  
THERMOSET PLASTIC RADOME, UV, ABRASION AND SKYDROL RESISTANCE  
**CONNECTOR:** TNC FEMALE (S-BAND, RED, P2)  
TNC FEMALE (C-BAND, BLUE, P1)  
OTHER CONNECTORS ARE OPTIONAL

**ENVIRONMENTAL:**

**TEMPERATURE:** -67°F TO +185°F [-55°C TO +85°C]  
**ALTITUDE:** 70,000 ft.  
**VIBRATION:** 10 G's  
**LEAKAGE:** HERMETICALLY SEAL

**FEDERAL & MILITARY SPECIFICATIONS:**

**DESIGN TO:** DO-160D, MIL-C-5541, MIL-E-5400, MIL-I-45208A, AND MIL-STD-810

QUANTITY	DESCRIPTION	PART NO	SPECIFICATION	MATERIAL	FINISH	TEST NO
4	SCREW, MOUNTING	MS24693C273	-	-	-	2
1	O-RING	MS28775-024	-	-	-	1

**NOTES:** UNLESS OTHERWISE SPECIFIED:

- DIMENSIONS IN BRACKETS ARE IN MILLIMETERS [mm]
- O-RING AND MOUNTING SCREWS ARE SUPPLIED BY ANTCOM CORPORATION
- MOUNTING HOLE PATTERN COMPLIES WITH BOEING L-BAND AIRBORNE ANTENNAS

NMO Connector Option is Now Available for Some Antennas