



ISO 9001:2008/FAA Approved Facility

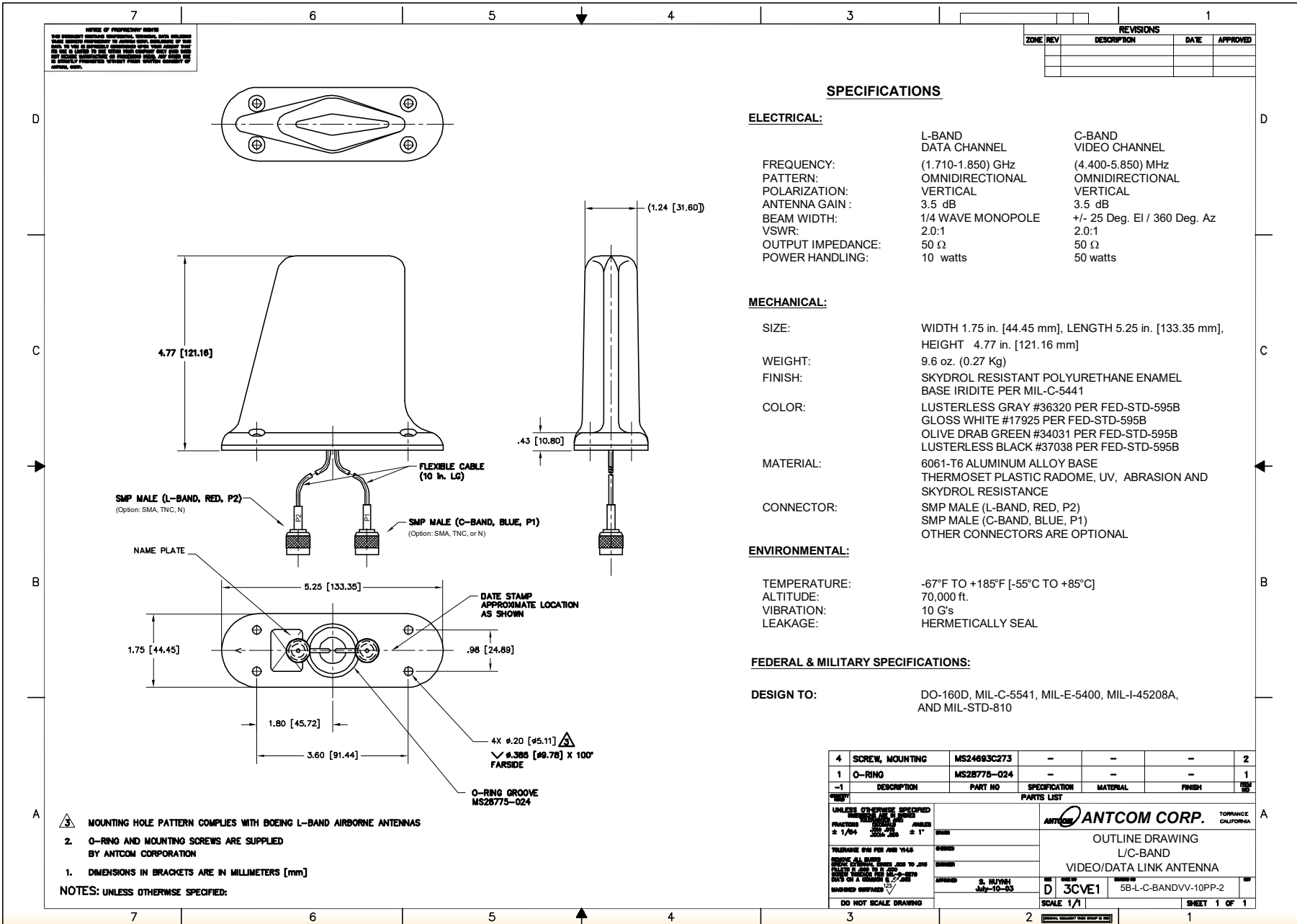
(1.71-1.85)GHz/(4.40-5.85) GHz, L/C-Band Antenna,

P/N: 5B-L-C-BANDVV-10PP-2, 4.6" Tall Blade Configuration



FAA Approved TSO Antennas

ANTCOM CORPORATION . 367 Van Ness Way, Suite 602 . Torrance, CA 90501, USA . Tel: (310) 782-1076 . Fax: (310) 782-1086 . E-mail: antennas@antcom.com . http://www.antcom.com



NMO Connector Option is Now Available for Some Antennas