



ISO 9001:2008/FAA Approved Facility

S-Band Omni Dipole Antenna

P/N: 5B-2.30-2.50P-XT-2-4dB-DP (2.3-2.5) GHz

P/N: 5B-2.20-2.30P-XT-2-4dB-DP (2.2-2.3) GHz

4.6" Tall Blade Configuration, Other Frequencies are Available

Antenna Mounts/Adapters: <http://www.antcom.com/documents/catalogs/PeripheralAntennaProducts2.pdf>


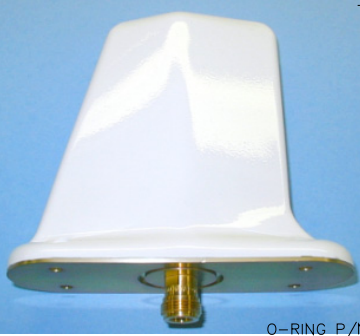


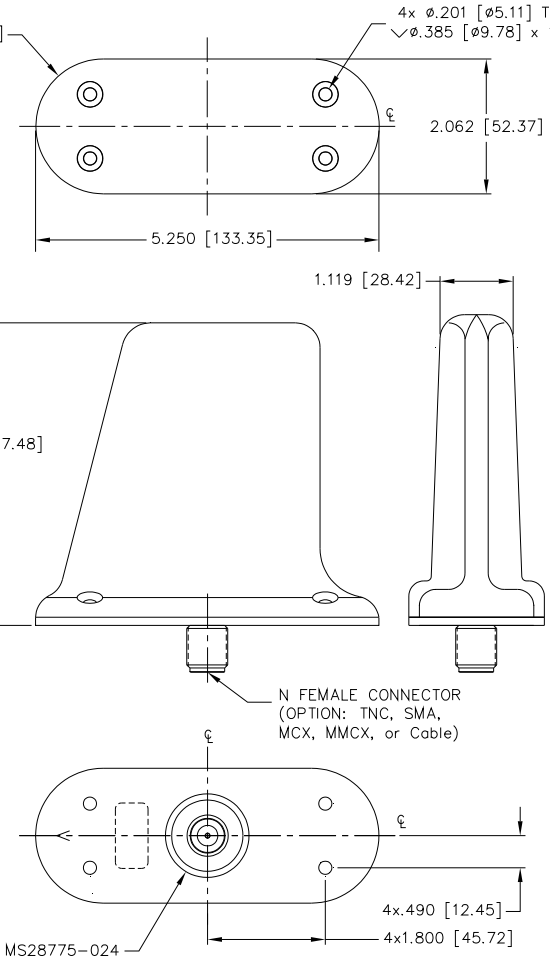
FAA Approved TSO Antennas

ANTCOM CORPORATION . 367 Van Ness Way, Suite 602 . Torrance, CA 90501, USA . Tel: (310) 782-1076 . Fax: (310) 782-1086 . E-mail: antennas@antcom.com . <http://www.antcom.com>

765431

NOTICE OF PROPRIETARY RIGHTS
THIS DOCUMENT CONTAINS CONFIDENTIAL, TECHNICAL DATA INCLUDING TRADE SECRETS PROPRIETARY TO ANTCOM CORP. DISCLOSURE OF THIS DATA TO YOU IS EXPRESSLY CONTINGENT UPON YOUR ASSENT THAT YOU WILL NOT REPRODUCE OR DISCLOSE THIS INFORMATION TO ANY OTHER PERSON OR ENTITY WITHOUT THE WRITTEN CONSENT OF ANTCOM CORP.



N FEMALE CONNECTOR
(OPTION: TNC, SMA, MCX, MMCX, or Cable)

O-RING P/N: MS28775-024

SPECIFICATIONS

ZONE	REV	DESCRIPTION	DATE	APPROVED

ELECTRICAL:

FREQUENCY:	(2.2-2.3) GHz
RADIATION PATTERN:	OMNI
POLARIZATION:	VERTICAL
VSWR:	2.0:1
GAIN (dB):	(3.5 to 4) dBi
Elevation Beam Width (3dB):	(40 to 60) °
Azimuth Beam Width (3dB):	360 °
IMPEDANCE:	50 Ohms
POWER HANDLING:	200 Watt
DC GROUNDING:	YES (LIGHTNING PROTECTION)

MECHANICAL:

SIZE: WIDTH 2.06 in. [52.4 mm], LENGTH 5.25 in. [133.3 mm]
HEIGHT: 4.63in. [117 mm]

WEIGHT: 10.0 oz. (284g)

FINISH: SKYDROL RESISTANT POLYURETHANE ENAMEL TOP,
BASE IRIDITE PER MIL-C-5441F

COLOR: GLOSS WHITE #17925 PER FED-STD-595B
LUSTERLESS GRAY #36320 PER FED-STD-595B
OLIVE DRAB GREEN #34031 PER FED-STD-595B
LUSTERLESS BLACK #37038 PER FED-STD-595B

MATERIAL: 6061-T6 ALUMINUM ALLOY BASE
COMPOSITE RADOME, IMPACT, ABRASION,
UV, SOLVENT, AND SKYDROL RESISTANCE,
FIRE RETARDANT

CONNECTOR: N FEMALE
(OPTION: TNC, SMA, N Bulkhead, MCX, MMCX,
or Cable)

MOUNTING: FIXED MOUNT: FROM TOP

ENVIRONMENTAL:

TEMPERATURE: -67 °F TO +185 °F [-55 °C TO +85 °C]
ALTITUDE: 70,000 ft.
VIBRATION: > 20 G's
LEAKAGE: HERMETICALLY SEALED

FEDERAL & MILITARY SPECIFICATIONS:

DESIGN TO: FAA TSO-C144, DO-160D, D0-228, MIL-C-5541,
MIL-E-5400, MIL-I-45208A, MIL-STD-810, AND
SAE J1455

QUANTITY REQD	DESCRIPTION	PARTS LIST	PART NO	FINISH	NUM NO.
3	MOUNTING SCREWS: 10-32 100 ° Flat Head, 1/2"		MS24693C273	-	5
1	O-RING		MS28775-024	-	1

UNLESS OTHERWISE SPECIFIED DIMENSIONS ARE IN INCHES	ORIGINALLY DRAWN	S. HUYNH	SEP-14-06
FRACTIONS SHALL BE DECIMALS	ORIGINALLY DESIGNED <td>S. HUYNH <td>SEP-14-06</td> </td>	S. HUYNH <td>SEP-14-06</td>	SEP-14-06
TOLERANCE .010 PER AND .015	UPDATED <td>S. HUYNH <td>AUG-30-13</td> </td>	S. HUYNH <td>AUG-30-13</td>	AUG-30-13
REMOVE ALL BURRS	UPDATE DRAWN <td>P. TRAN <td>AUG-30-13</td> </td>	P. TRAN <td>AUG-30-13</td>	AUG-30-13
BREAK EXTERNAL EDGES .005 TO .015	APPROVED <td>S. HUYNH <td>AUG-30-13</td> </td>	S. HUYNH <td>AUG-30-13</td>	AUG-30-13
FILLET R .005 TO R .030	DO NOT SCALE DRAWING		
SCREEN THROUGHS PER AS-16979			
MACHINED SURFACES 32			

P/N: 5B-2.2-2.3P-XT-2-4dB-DP

7654321

NMO Connector Option is Now Available for Some Antennas