



ISO 9001:2008/FAA Approved Facility

Active (Rx) L/S/C-Band Antenna  
 P/N: 5B-1.60-5.85A-XT-2 (30dB LNA)  
 P/N: 5B-1.60-5.85A2-XT-2 (20dB LNA)

5.6" Tall Blade Configuration

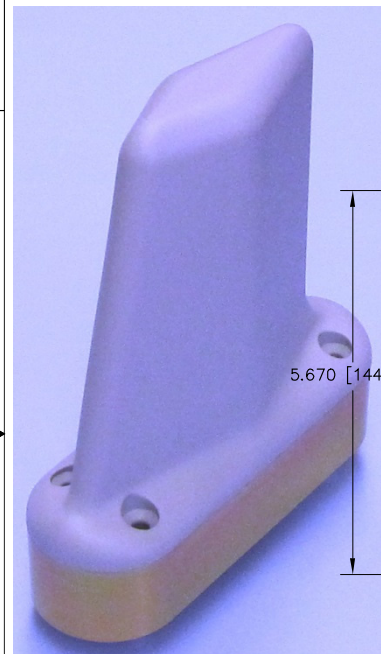
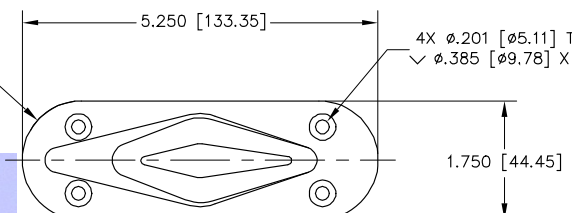
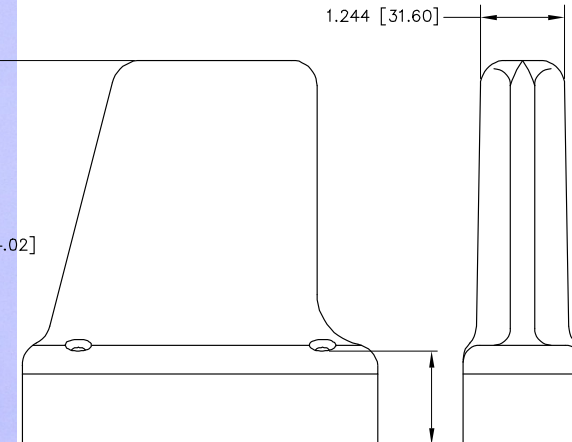

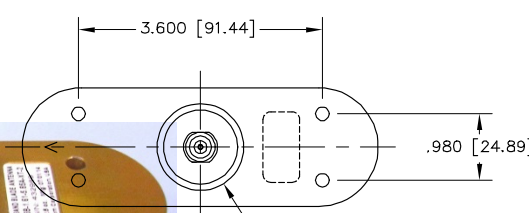
Antenna Mounts/Adapters: <http://www.antcom.com/documents/catalogs/PeripheralAntennaProducts2.pdf>



FAA Approved  
TSO Antennas

ANTCOM CORPORATION . 367 Van Ness Way, Suite 602 . Torrance, CA 90501, USA . Tel: (310) 782-1076 . Fax: (310) 782-1086 . E-mail: [antennas@antcom.com](mailto:antennas@antcom.com) . <http://www.antcom.com>

**NOTICE OF PROPRIETARY RIGHTS**  
 THIS DOCUMENT CONTAINS CONFIDENTIAL TECHNICAL DATA INCLUDING TRADE SECRETS PROPRIETARY TO ANTCOM CORP. DISCLOSURE OF THIS DATA TO ANY OTHER ENTITY IS PROHIBITED. YOUR USE OF THIS DOCUMENT IS LIMITED TO THE INTENT OF YOUR COMPANY ONLY AND DOES NOT INCLUDE REPRODUCTION OR MODIFICATION. ANY OTHER USE IS STRICTLY PROHIBITED WITHOUT PRIOR WRITTEN CONSENT OF ANTCOM CORP.

Dimensions:  
 5.250 [133.35] (width)  
 1.750 [44.45] (height)  
 1.244 [31.60] (blade height)  
 5.670 [144.02] (total height)  
 1.383 [35.12] (connector offset)  
 3.600 [91.44] (base width)  
 .980 [24.89] (O-ring offset)

4X  $\phi$ .201 [ $\phi$ 5.11] THRU.  
 $\checkmark$   $\phi$ .385 [ $\phi$ 9.78] X 100°

R.875 [R22.23]

TNC FEMALE CONNECTOR  
 (OPTION: SMA, TNC Bulkhead, N, MCX, MMCX, or Cable)

O-RING  
 P/N: 94115K024

**SPECIFICATIONS**

**ELECTRICAL:**

	PCS, 802.11b, 802.11g, WIFI, Bluetooth, Hotspot	802.11a, WiFi, ISM
FREQUENCY (MHz):	L/S-BAND (1610-1850-2400-2500)	C-BAND (4400-5850)
PATTERN:	OMNIDIRECTIONAL	
POLARIZATION:	VERTICAL	
ANTENNA GAIN:	> 2 dB	
VSWR:	2:0:1	
OUTPUT IMPEDANCE:	50 $\Omega$	
POWER HANDLING:	>50 watts (without LNA)	
LNA OPTION:	GAIN: 12 dB, NF: 4.1 dB, OP1dB: +13dB, OIP3: +28dB DC: 12 Volt @ 50mA	

**MECHANICAL:**

SIZE: WIDTH 1.75 in. [44.45 mm], LENGTH 5.25 in. [133.35 mm], HEIGHT 5.67 in. [144.02 mm]

WEIGHT: 9.6 oz. (0.27 Kg)

FINISH: SKYDROL RESISTANT POLYURETHANE ENAMEL  
BASE IRIDITE PER MIL-C-5441

COLOR: LUSTERLESS GRAY #36320 PER FED-STD-595B  
GLOSS WHITE #17925 PER FED-STD-595B  
OLIVE DRAB GREEN #34031 PER FED-STD-595B  
LUSTERLESS BLACK #37038 PER FED-STD-595B

MATERIAL: 6061-T6 ALUMINUM ALLOY BASE  
THERMOSET PLASTIC RADOME, UV, ABRASION AND SKYDROL RESISTANCE

CONNECTOR: TNC-FEMALE  
(OPTION: SMA, TNC Bulkhead, N, MCX, MMCX, or Cable)

**ENVIRONMENTAL:**

TEMPERATURE: -67°F TO +185°F [-55°C TO +85°C]

ALTITUDE: 70,000 ft.

VIBRATION: 10 G's

LEAKAGE: HERMETICALLY SEAL

**FEDERAL & MILITARY SPECIFICATIONS:**

DESIGN TO: DO-160D, MIL-C-5541, MIL-E-5400, MIL-I-45208A, AND MIL-STD-810

QTY	DESCRIPTION	PART NO	MATERIAL	FINISH	REF ID
1	O-RING	94115K024, Item 553	-	-	2
4	SCREW, MOUNTING	91771A838, Item 577-2.0	-	-	1

UNLESS OTHERWISE SPECIFIED  
 DIMENSIONS ARE IN INCHES  
 FRACTIONS TO BE IN 16ths  
 DECIMALS TO BE IN 100ths  
 ANGLES TO BE IN DEGREES  
 $\pm$  1/64 .005 .015  $\pm$  1°  
 TOLERANCE .010 PER ANSI Y14.5  
 REMOVE ALL BURRS  
 BREAK EXTERNAL EDGES .005 TO .010  
 FILED TO .005 TO .010  
 SURF. FINISH PER MIL-C-8879  
 .040 ON A MAXIMUM .020  
 MACHINED SURFACES .010  
 DO NOT SCALE DRAWING

**ANTCOM CORP.** TORRANCE CALIFORNIA

OUTLINE DRAWING  
 Active L/S/C-BAND  
 VIDEO/DATA LINK ANTENNA

DATE: 06-17-01  
 DESIGNED BY: S. HUYNH  
 DATE: 07-02-14  
 UPDATED BY: S. HUYNH  
 DATE: 07-02-14  
 P. TRAM  
 DATE: 07-02-14  
 APPROVED BY: S. HUYNH  
 DATE: 07-02-14

SCALE 1/1

SHEET 1 OF 1

1. DIMENSIONS IN BRACKETS ARE IN MILLIMETERS [mm]  
 NOTES: UNLESS OTHERWISE SPECIFIED: