

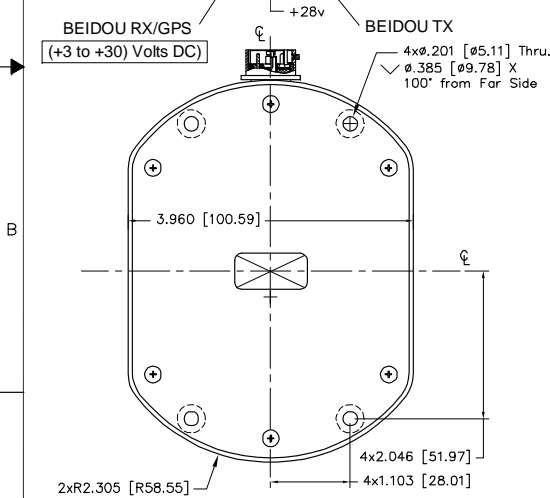
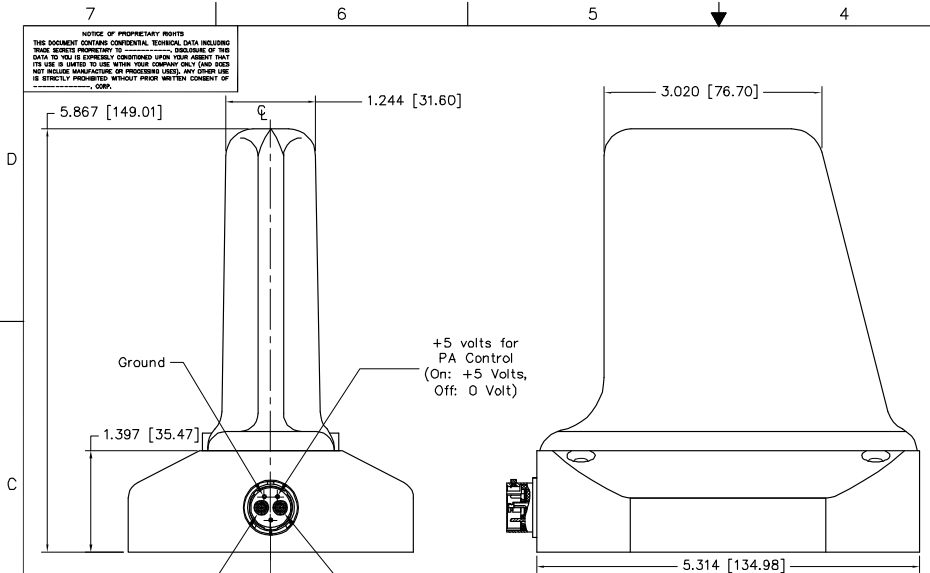


Tx/Rx Beidou/ B3 (E6) Antenna, P/N: 55B121625RLR-AH3-ND-4F1 (5.3x3.9x5.8)in , Flat Mount Configurations

ISO 9001:2008/FAA Approved Facility



ANTCOM CORPORATION . 367 Van Ness Way, Suite 602 . Torrance, CA 90501 . Tel: (310) 782-1076 . Fax: (310) 782-1086 . E-mail: antennas@antcom.com . http://www.antcom.com



CONFIGURATION	POLARIZATION	LNA (Rx) / HPA (Tx)	CABLE'S LENGTH	CONNECTOR:	COLOR:
1: 2" SQ. (FLAT)	LL: TX: LHCP, RX: LHCP	A: WITH +50 dB LNA	X: NO CABLE	S: SMA; P: PINS	-1: GLOSS WHITE #17925 PER FED-STD-595B
1.9: 1.9" (FLAT)	LR: TX: LHCP, RX: RHCP	H1: WITH 10 Watts HPA	M: WITH MAG. MOUNT	M: MCX; MM: MMCX	-2: LUSTERLESS GRAY #36320 PER FED-STD-595B
2: 2.6" DIA. (FLAT)	RL: TX: RHCP, RX: LHCP	H2: WITH 20 Watts HPA	#: CABLE LENGTH (IN)	N: N; NB: N-Bulkhead	-3: OLIVE DRAB GREEN #34031 PER FED-STD-595B
3: 3.5" DIA. (FLAT)	RR: TX: RHCP, RX: RHCP	H3: WITH 30 Watts HPA	R: RIGHT ANGLE CON.	T: TNC; TB: TNC- Bulkhead	-4: LUSTERLESS BLACK #37038 PER FED-STD-595B
4: MINI ARINC (FLAT)		P: WITHOUT LNA	N: FLUSH, NO MAG.	D: TWIN CONNECTOR	
72: 16.5" HELIX ROD					
55: 14.5" HELIX ROD					

P/N: 55B121625RLR-AH3-ND-3F1

SPECIFICATIONS

ELECTRICAL:	REVISIONS		
	ZONE (REV)	DESCRIPTION	DATE APPROVED
FREQUENCY:	TX (1610.0 - 1626.5) MHz	RX (2483.5 - 2500.0) MHz	B3 or E6 L1: (1268.22 ±13) MHz
RADIATION PATTERN:	HEMISPHERICAL		
POLARIZATION:	LHCP	RHCP	RHCP
VSWR:	< 2.0:1	< 2.0:1	< 2.0:1
GAIN (dBic):	Free Space	Free Space	Free Space
@ 90° (Zenith, Top):	0.00	+ 4.80	+3.3+/-0.5
@ 10° Elevation:	+ 0.40	- 2.50	-3.8+/-0.5
@ 20° Elevation:	+ 1.10	- 0.70	-2.0+/-0.5
@ 30° Elevation:	+ 1.20	+ 0.50	-0.5+/-0.5
@ 45° Elevation:	+ 0.70	+ 1.90	+0.7+/-0.5
@ 70° Elevation:	+ 0.10	+ 4.20	+2.3+/-0.5
AXIAL RATIO @ Zenith:	2 dB	2 dB	2 dB
3dB BEAM WIDTH	190 °	90 °	106 °
POWER HANDLING:	30 W	1 Watt	1 Watt
DC GROUNDING:	YES (LIGHTNING PROTECTION)		
ISOLATION:	> 28 dB @ TX WITHOUT FILTER; > 70 dB @ TX WITH FILTER	> 45 dB / -70 dB @ (-50/+50) MHz; < -65 dB @ (-100/+100) MHz;	

HPA/LNA OPTION:

GAIN:	50 dB	>55 dB	31 dB
IP3/NOISE FIGURE:	IP3: +53 dBm	2.8 dB	3.0 dB
OUTPUT POWER P1dB:	30 W (+44.7dbm Max)	+0 dB	+13 dB
BIAS:	+28 Volts DC	(+2.5 to +30) Volts DC FROM BEIDOURX/GPSCON	
CURRENT:	3.6 AMP	< 39 mA	< 30 mA

MECHANICAL:

SIZE:	BASE: 3.96 in [100.59 mm] x 5.31 in [134.98 mm] HEIGHT: 5.89 in [150 mm]
WEIGHT:	25 oz. (708 g)
FINISH:	SKYDROL RESISTANT POLYURETHANE ENAMEL BASE IRIDITE PER MIL-C-5441
MATERIAL:	6061-T6 ALUMINUM ALLOY BASE COMPOSITE RADOME, IMPACT, ABRASION, UV, SOLVENT, AND SKYDROL RESISTANCE, FIRE RETARDANT
CONNECTOR:	TWIN CONNECTOR

ENVIRONMENTAL:

TEMPERATURE:	-67 °F TO +185 °F [-55 °C TO +85 °C]
ALTITUDE:	10,000 ft.
VIBRATION:	> 10 G's
LEAKAGE:	HERMETICALLY SEALED

FEDERAL & MILITARY SPECIFICATIONS:

DESIGN TO: FAA TSO-C144, DO-160D, D0-228, MIL-C-5541, MIL-E-5400, MIL-I-45208A, MIL-STD-810, AND SAE J1455

QUANTITY REQD	DESCRIPTION	PART NO	FINISH	REV
				3
				1

UNLESS OTHERWISE SPECIFIED DIMENSIONS ARE IN INCHES FRACTIONS DECIMALS ANGLES ± 1/64 .005 .015 ± .1°	DRAWN
TOLERANCE 51M PER ANSI Y14.5	CHECKED
REWORK ALL DIMS PER 2.00 TO .015	DESIGNED
FIELD 2.00 TO 1.50	APPROVED
SCREW THREADS PER MIL-8-8879	S. HUYTH
DI'S ON A COMB. Q.25.005	Sup-19-05
MACHINED SURFACES	CAD FILE NO
DO NOT SCALE DRAWING	SCALE 1/1

30w FIXED MOUNT INTEGRATED BEIDOU/B3(E6) VEHICLE ANTENNA	
REV D	3CVE1
REV D	55B121625RLR-AH3-ND-3F1
SHEET 1	OF 1