



FAA Approved Facility

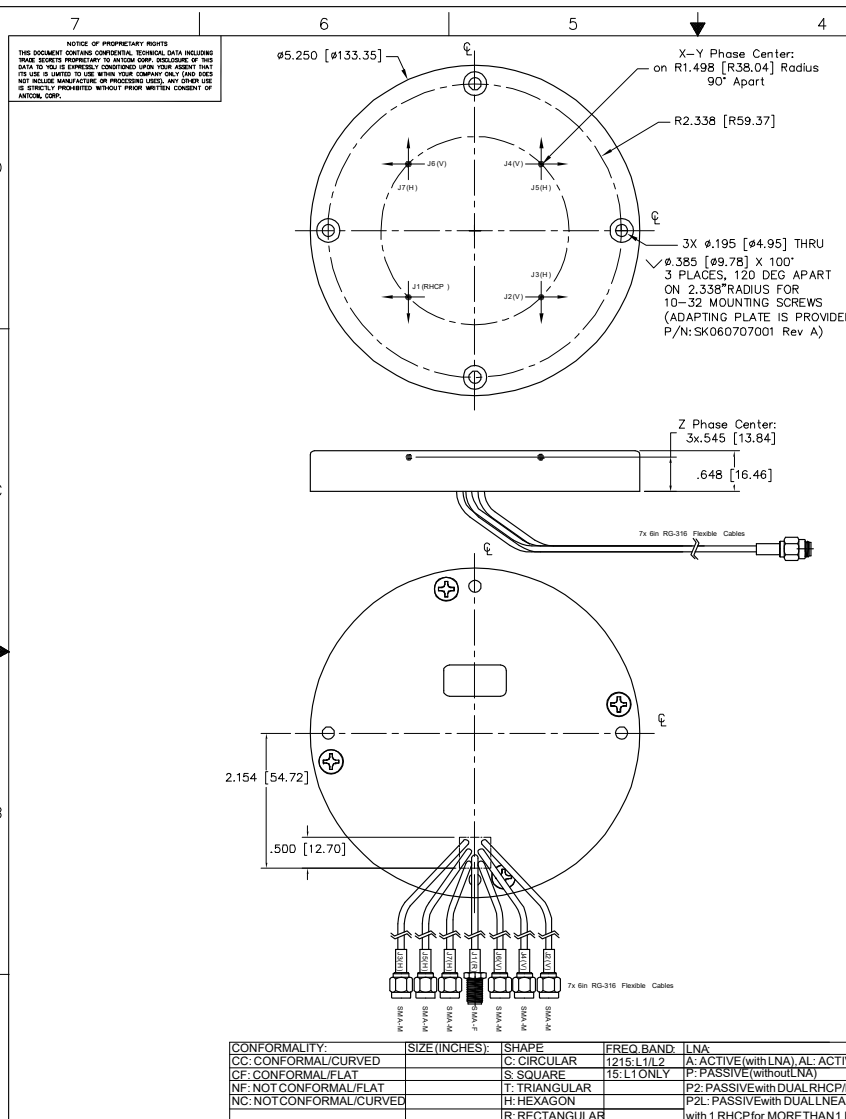
4-Element-7-Channel (1 RHCP/3E/3H) Class B CRPA L1/L2 GPS Antenna Array (5.25" Dia. x 0.66" Thick), P/N: 4NF-5CG1215P2L-XS-X

"-PL-" or "-AL-" for Limiter Options for High Power Pulse Protection



ANTCOM CORPORATION . 367 Van Ness Way, Suite 602 . Torrance, CA 90501 . Tel: (310) 782-1076 . Fax: (310) 782-1086 . E-mail: antennas@antcom.com . http://www.antcom.com

Wide Band GNSS Option Is Available



SPECIFICATIONS

ELECTRICAL:		REVISIONS					
		ZONE	REV	DESCRIPTION	DATE	APPROVED	
FREQUENCY:	L1: (1575.42 ±15) MHz	L2: (1227.60 ±15) MHz					
RADIATION PATTERN:	HEMISPHERICAL						
POLARIZATION:	RHCP			RHCP			
VSWR:	< 1.5:1						
IMPEDANCE:	50 ohms						
ANTENNA ELEMENT GAIN (dBic) on 3.5 in Dia.:	RHCP (J1)	A/R	Linea r (J2-J7)	RHCP (J1)	A/R	Linea r (J2-J7)	
@ 90° (ZENITH):	+ 5.4	1.0	+ 2.9	+ 4.1	1.0	+ 1.6	
@ 10° Elevation:	- 1.6	1.0	- 4.1	- 3.2	10.0	-3.8/-10.6	
@ 20° Elevation:	0.0	1.0	- 2.5	- 1.6	6.0	-2.2/-8.2	
@ 30° Elevation:	+ 1.3	1.0	- 1.2	- 0.3	4.0	-1.5/-5.5	
@ 60 - 90° Elevation:	> 4.2	1.0	> 1.7	> 2.7	1.0	> 0.2	
BEAM WIDTH (3dB):	102 Deg.		102 Deg.	93 Deg.		93 Deg.	
LIGHTNING PROTECTION:	DC GROUNDING						
POWER HANDLING:	200 Watt CW						

MECHANICAL:

SIZE:	DIAMETER: 5.25 in [133.4 mm] HEIGHT: 0.648 in. [16.5 mm]
WEIGHT:	1.2lbs. (544g)
FINISH:	SKYDROLRESISTANTPOLYURETHANEENAMEL BASE IRIDITE PER MIL-C-5441
MATERIAL:	6061-T6 ALUMINUM ALLOY BASE COMPOSITE RADOME, IMPACT, ABRASION, UV, SOLVENT, SKYDROLRESISTANCE AND FIRE RETARDANT
CONNECTOR:	1x 6in SMA FEMALE CABLE FOR REFERENCE CHANNEL 6x 6in SMA MALE CABLES FOR AUXILIARY CHANNELS (OPTION: TNC, N, MCX, MMCX, SMB, SSMB, SMC, SSMC)

ENVIRONMENTAL:

TEMPERATURE:	-67 °F TO +185 °F [-55 °C TO +85 °C]
ALTITUDE:	70,000ft
VIBRATION:	> 30 G's
LEAKAGE:	HERMETICALLY SEAL

FEDERAL & MILITARY SPECIFICATIONS

DESIGN TO:	FAA TSO-C144, DO-160D, DO-228, MIL-C-5541, MIL-E-5400, MIL-I-45208A, MIL-STD-810, AND SAE J1455
-------------------	--

ACCEPTANCE TEST PROCEDURE

QUANTITY	REQD	DESCRIPTION	PART NO	FINISH	ITEM NO
4	-				5
A/R	-				3
1	1	CLASS B ADAPTING PLATE	SK060707001 Rev A	-	1
-2	-1	DESCRIPTION			

CONFORMALITY:	SIZE (INCHES):	SHAPE:	FREQ. BAND:	LNA:
CC: CONFORMAL/CURVED	C: CIRCULAR	C: CIRCULAR	1215: L1/L2	A: ACTIVE (with LNA), AL: ACTIVE WITH LIMITER
CF: CONFORMAL/FLAT	S: SQUARE	S: SQUARE	15: L1 ONLY	P: PASSIVE (without LNA)
NF: NOT CONFORMAL/FLAT	T: TRIANGULAR	T: TRIANGULAR		P2: PASSIVE WITH DUAL RHCP/LHCP POLARIZATION
NC: NOT CONFORMAL/CURVED	H: HEXAGON	H: HEXAGON		P2L: PASSIVE WITH DUAL LINEAR POLARIZATION and with 1 RHCP for MORE THAN 1 ELEMENT ARRAY
	R: RECTANGULAR	R: RECTANGULAR		

P/N: 4NF-5CG1215P2L-6S-4

1. DIMENSIONS IN BRACKETS ARE IN MILLIMETERS [mm]	NUMBER OF ELEMENT:	CABLE LENGTH:	CONNECTOR:	COLOR:
NOTES: UNLESS OTHERWISE SPECIFIED:	X: NO CABLE	S: SMA: P: PINS	M: MCX: MM: MMCX	-1: GLOSS WHITE #17925 PER FED-STD-595B
	M: MAG, N: NO MAG.	N: NB: N: N-Bulkhead	T: TB: TNC, TNC-Bulkhead	-2: LUSTERLESS GRAY #36320 PER FED-STD-595B
	R: RIGHT ANGLE CON.			-3: OLIVE DRAB GREEN #34031 PER FED-STD-595B
				-4: LUSTERLESS BLACK #37038 PER FED-STD-595B

ANTCOM CORP. TORRANCE, CALIFORNIA

4-ELEMENT (CLASS B)
7 CHANNEL PASSIVE L1/L2 GPS
ANTENNA ARRAY
(1 RHCP, 3E, & 3H)

UNLESS OTHERWISE SPECIFIED DIMENSIONS ARE IN INCHES TOLERANCES ARE: FRACTIONS DECIMALS ANGLES ± 1/64 .0005 ± .030

TOLERANCE SYM PER ANSI Y14.5

REWORK: ALL SURFACES BEHIND INTERNAL EDGES .005 TO .015 DEEPEN & .005 TO .010 DEEPEN THREADED PER MIL-C-8879 2X'S ON A CORNER & 2X'S ON MACHINED SURFACES 12°

DO NOT SCALE DRAWING

DATE: 07/12/07
DRAWN: S. HUYNH
CHECKED: S. HUYNH
APPROVED: S. HUYNH
CAD FILE NO: D13CVE1

SCALE: 1/1

SHEET 1 OF 1

Antenna Mounts: http://www.antcom.com/documents/catalogs/PeripheralAntennaProducts2.pdf
Amplifiers/Power Divider/Combiner/Filters: http://www.antcom.com/documents/catalogs/PeripheralAntennaProducts1.pdf