

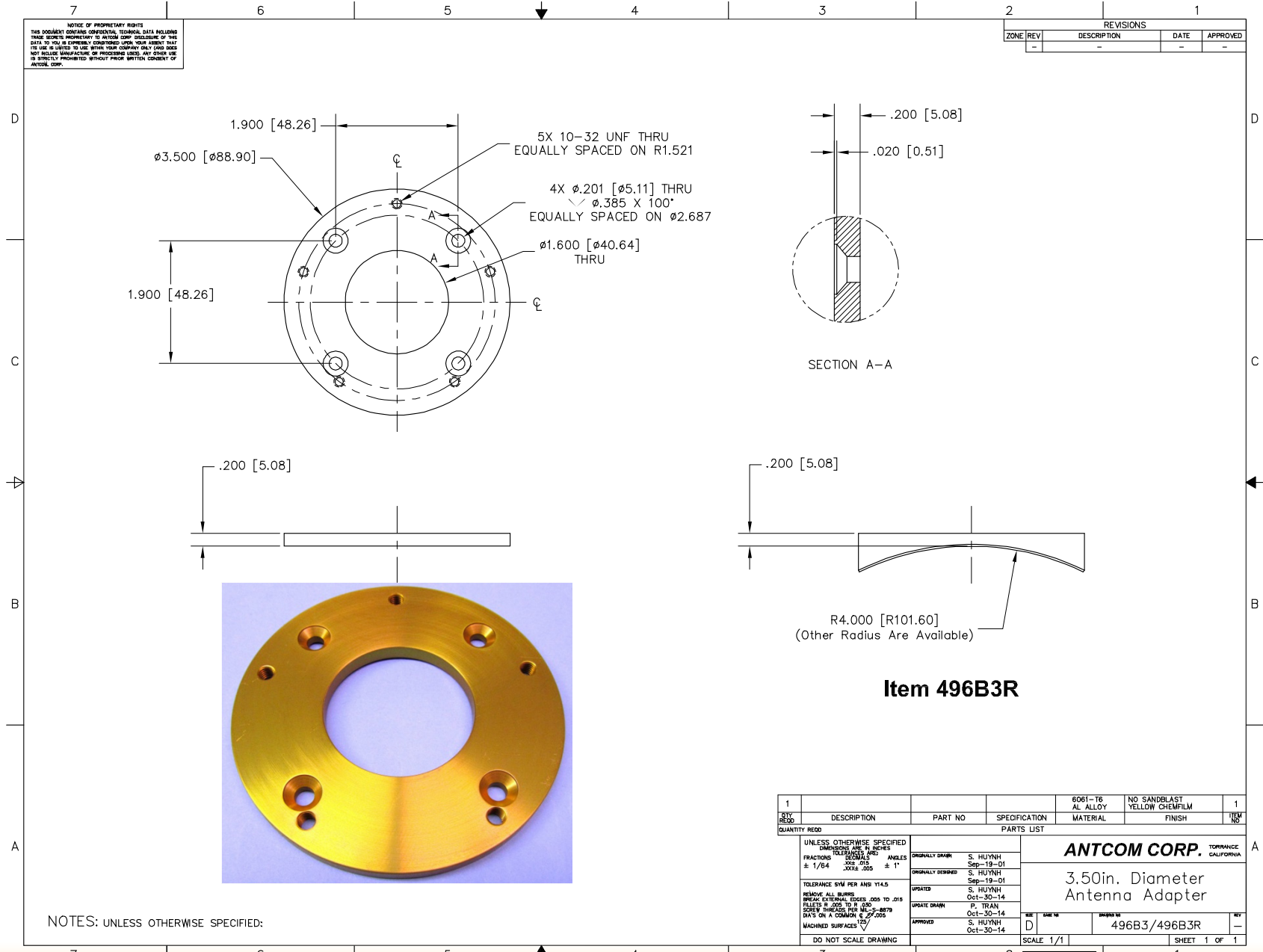


3G Antenna [FRPA Adapter for CRPA Antenna](#)
 P/N: 496B3, Item 496B3, P/N: 496B3R, Item 496B3R (for 4in Radius)
 Item 496B3Rx (For other Xin Radius)



Stainless Steel: DFARS 252-225-7014/316 Passivated; Chem. Film (MIL-C-5541F, Class 1A); Anodizing (MIL-A-8625F, Type II Class II)

ANTCOM CORPORATION . 367 Van Ness Way, Suite 602 . Torrance, CA 90501 . Tel: (310) 782-1076 . Fax: (310) 782-1086 . E-mail: antennas@antcom.com . http://www.antcom.com



NOTES: UNLESS OTHERWISE SPECIFIED: