



FAA Approved Facility

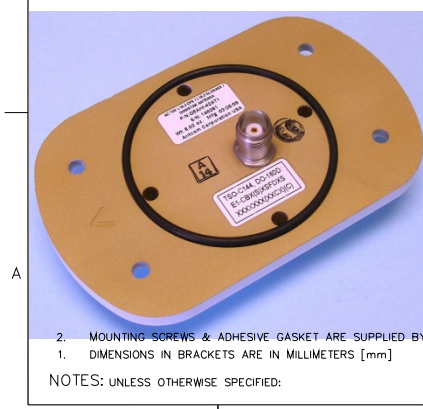
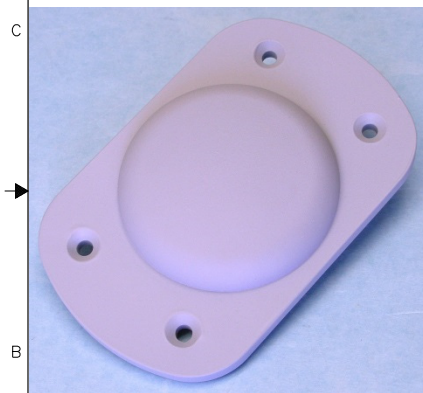
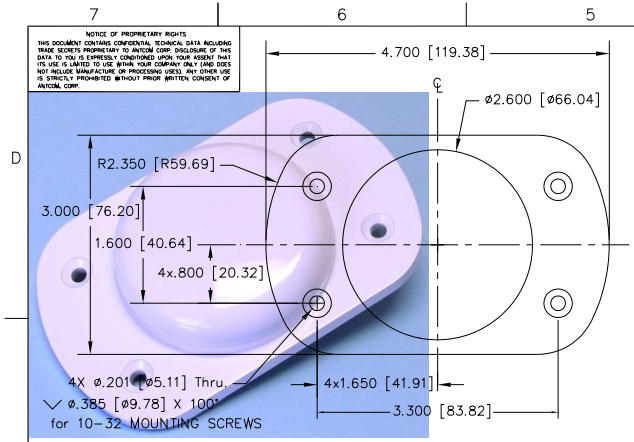
# Antcom's G5 Antenna, Active L1/L2 Glonass + L1/L2 GPS + OmniStar/TerraStar Antenna, P/N: G5Ant-42AT1 Also Know as P/N: ANT-A72GOLA-TW; Avionics Arinc 743 Configuration TSO Cert P/N: 42GOXX16A4-XT-1-1

Antenna Mounts: <http://www.antcom.com/documents/catalogs/PeripheralAntennaProducts2.pdf>



ANTCOM CORPORATION . 367 Van Ness Way, Suite 602 . Torrance, CA 90501 . Tel: (310) 782-1076 . Fax: (310) 782-1086 . E-mail: [antennas@antcom.com](mailto:antennas@antcom.com) . <http://www.antcom.com>

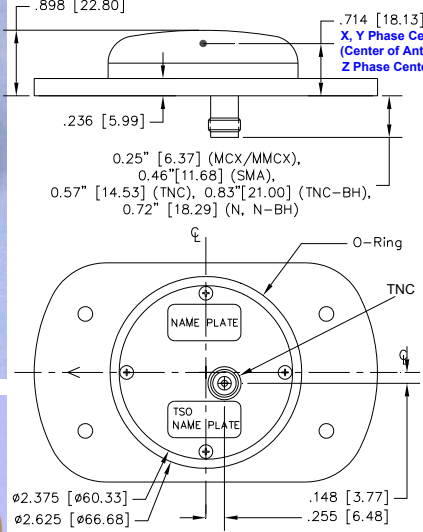
“-HF” for High Iridium/Inmarsat/Thuraya-Rejection Front End Filter Option: -22dB@1616MHz, -34dB@(1625-1660)MHz  
“-HFO” for Additional OmniStar/TerraStar Rejection: -27dB@1545MHz



2. MOUNTING SCREWS & ADHESIVE GASKET ARE SUPPLIED BY ANTCOM  
1. DIMENSIONS IN BRACKETS ARE IN MILLIMETERS [mm]  
NOTES: UNLESS OTHERWISE SPECIFIED:

SPECIFICATIONS						
ELECTRICAL:						
	L5 GPS E5, E5a, E5b Galileo L5 IRNSS	L2 GPS B2 Compass	L2 GLONASS E6 Galileo B3 Compass	OmniSTAR / L-Band L6 Galileo B1 Compass	L1 GPS E1, E2 Galileo L1 IRNSS	L1 GLONASS
FREQUENCY:	1176.45 ± 12 MHz 1164.45 - 1219.14 MHz 1176.45 ± 15 MHz	1227.60 ± 12 MHz 1207.14 ± 10 MHz	1252.50 ± 7.5 MHz 1266.75 - 1290.75 MHz 1268.52 ± 10 MHz	1542.50 ± 14.0 MHz 1542.50 ± 5.0 MHz 1561.098 ± 10 MHz	1575.42 ± 15.0 MHz 1575.42 ± 17.0 MHz 1575.42 ± 12.0 MHz	(1598 - 1606) MHz
RADIATION PATTERN:	HEMISPHERICAL					
POLARIZATION:	RHCP	RHCP	RHCP	RHCP	RHCP	RHCP
VSWR:	< 2.0:1	< 2.0:1	< 2.0:1	< 2.0:1	< 2.0:1	< 2.0:1
IMPEDANCE:	50 ohms	50 ohms	50 ohms	50 ohms	50 ohms	50 ohms
ANTENNA GAIN (dBic):	Free Space 4 ft G.P.	Free Space 4 ft G.P.	Free Space 4 ft G.P.	Free Space 4 ft G.P.	Free Space 4 ft G.P.	Free Space 4 ft G.P.
@ 90° (ZENITH):	-3	-3	+3.1	+2.4	+1.0	+2.0
@ 10° Elevation:	-10	-10	-3.9	-5.8	-6.3	-5.1
@ 20° Elevation:	-9	-7	-2.3	-0.3	-3.9	-1.9
@ 30° Elevation:	-7	-5	-0.4	+1.8	-2.1	-1.2
@ 60-90° Elevation:	> -4	> -4	> 2.6	> 0.3	> -0.1	> +0.3
BEAM WIDTH (3dB):	100 Deg.	120 Deg.	105 Deg.	115 Deg.	100 Deg.	145 Deg.
AXIAL RATIO:	3 dB	2 dB	1 dB	1 dB	2 dB	1 dB
LIGHTNING PROTECTION:	DC GROUNDING					
LNA GAIN:	35 dB	35 dB	35 dB	33 dB	33 dB	33 dB
LNA NOISE FIGURE:	3.0 dB	3.0 dB	3.0 dB	3.0 dB	3.0 dB	3.0 dB
LNA P1dB Out:	+13 dBm	+13 dBm	+13 dBm	+13 dBm	+13 dBm	+13 dBm
LNA DC POWER:	2.5V/20mA, 3V/29mA, 3.3V/35mA, (2.5-24)V/≤50mA					
POWER HANDLING:	1 Watt CW, Optional: 10 Watts 1 Microsec Pulse (-AL-)					

**MECHANICAL:**  
 SIZE: WIDTH: 3.00 in. [76.20 mm], LENGTH 4.700 in. [119.38 mm], HEIGHT: 0.898 in. [22.80 mm]  
 WEIGHT: 8.02 oz. (227 g)  
 FINISH: SKYDROL RESISTANT POLYURETHANE ENAMEL BASE IRIDITE PER MIL-C-5541F CLASS 1A  
 MATERIAL: 6061-T6 ALUMINUM ALLOY BASE COMPOSITE RADOME, IMPACT, ABRASION, UV, SOLVENT, SKYDROL RESISTANCE, AND FIRE RETARDANT  
 CONNECTOR: TNC TYPE FEMALE (OPTION: SMA, BNC, TNC Bulkhead, N, N Bulkhead, MCX, MMCX)  
**ENVIRONMENTAL:**  
 TEMPERATURE: -67 °F TO +185 °F [-55 °C TO +85 °C]  
 ALTITUDE: 70,000 ft.  
 VIBRATION: > 30 G's  
 LEAKAGE: HERMETICALLY SEAL  
**FEDERAL & MILITARY SPECIFICATIONS:**  
**DESIGN TO:** FAA TSO-C144, DO-160D, DO-228, MIL-C-5541, MIL-E-5400, MIL-145208A, MIL-STD-810, AND SAE J1455  
**ACCEPTANCE TEST PROCEDURE:** ATP-GPS-L1L2-100



SIZE:	LNA:
1: 2" SQ.	A: WITH LNA
1.9: 1.9" SQ.	P: WITHOUT LNA
2: 2.6" DIA.	
3: 3.5" DIA.	
4: MINI ARINC: 42: 743 ARINC.	
52: 2.6" DIA. ON 5" GROUND PLANE	
72: 7" DIA. CHOKER RING	

P/N: G5Ant-42AT1

CABLE'S LENGTH:	CONNECTOR:	COLOR:
X: NO CABLE	S: SMA; B: BNC	-1: GLOSS WHITE #17925 PER FED-STD-595B
	M: MCX; MM: MMCX	-2: LUSTERLESS GRAY #36320 PER FED-STD-595B
	N: N, NB: N-Bulkhead	-3: OLIVE DRAB GREEN #34094 PER FED-STD-595B
	T: TNC, TB: TNC-Bulkhead	-4: LUSTERLESS BLACK #37038 PER FED-STD-595B

QUANTITY REQD	DESCRIPTION	PARTS LIST	PART NO	FINISH	REV
4	Mounting Screw: 10-32, 1"		MS24693C276		3
1	O-Ring or Gasket		2-142/N756-75		1

UNLESS OTHERWISE SPECIFIED DIMENSIONS ARE IN INCHES FRACTIONS DECIMALS ANGLES TOLERANCES ± 1/64 .0005 .0005 ± 11° TOLERANCE 5M PER ANSI Y14.5 REMOVE ALL BURRS BREAK EXTERNAL EDGES .005 TO .015 FILED TO .005 TO .010 20'S ON 4 COMP. 42-5879 MACHINED SURFACES 125 DO NOT SCALE DRAWING

**ANTCOM CORP.** TORRANCE CALIFORNIA  
 743 ARINC, ACTIVE  
 L1L2Glonass/L1L2GPS/OmniStar  
 G5 ANTENNA  
 D 3CVE1 G5Ant-42AT1  
 SCALE 1/1 SHEET 1 OF 1

NMO Connector Option is Now Available for Some Antennas