



FAA Approved Facility

(2.215-2.255) GHz **S-Band Antenna**
P/N: 4.8Dx2.9WRAP-2.23H-XS-X-400C (2 Antennas + 1 Power Combiner Set)

Aluminum Flange/Body with **Conformal Ceramic Radome**

2.205in Conformal Radius Configuration. **Up to 500C for 1min.** Other Frequencies are Available.

Antenna Mounts/Adapters: <http://www.antcom.com/documents/catalogs/PeripheralAntennaProducts2.pdf>



ANTCOM CORPORATION . 367 Van Ness Way, Suite 602 . Torrance, CA 90501 . Tel: (310) 782-1076 . Fax: (310) 782-1086 . E-mail: antennas@antcom.com . <http://www.antcom.com>

NOTICE OF PROPRIETARY RIGHTS
 THIS DOCUMENT CONTAINS CONFIDENTIAL, TRADE SECRET, OR OTHER PROPRIETARY INFORMATION. DISCLOSURE OF THIS DATA TO YOU IS EXPRESSLY CONDITIONED UPON YOUR ACCEPTANCE OF THIS USE IS LIMITED TO USE WITH YOUR COMPANY ONLY AND DOES NOT INCLUDE REPRODUCTION OR REUSE OF ANY OTHER USE IS EXPRESSLY PROHIBITED WITHOUT PRIOR WRITTEN CONSENT OF ANTCOM CORP.

SPECIFICATIONS

REVISIONS		DATE	APPROVED
ZONE	REV	DESCRIPTION	

ELECTRICAL:

FREQUENCY:	(2.215 - 2.255) GHz	
RADIATION PATTERN:	HEMISPHERICAL	
POLARIZATION:	HORIZONTAL	
VSWR:	2.0:1	
GAIN (dB):	Free Space	4.4 in Dia. Tube, 2 ft Long
@ 90° (Zenith):	+ 5.4	+ 3.5
@ 10° Elevation (Ave):	- 1.6	+ 0.2
@ 20° Elevation (Ave):	0.0	+ 2.0
@ 30° Elevation (Ave):	+ 1.3	+ 2.8
@ 60 - 90° Elevation:	> 4.2	> 2.0
Beam Width (3dB):	102 Deg.	149 Deg.
AXIAL RATIO @ Zenith:	3.0 dB	
IMPEDANCE:	50 Ohms	
POWER HANDLING:	200 Watt	
DC GROUNDING:	YES (LIGHTNING PROTECTION)	

MECHANICAL:

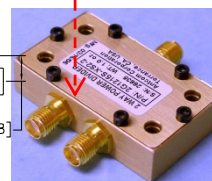
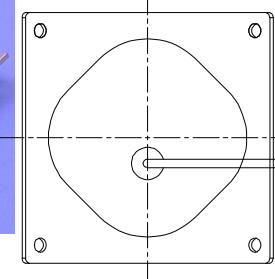
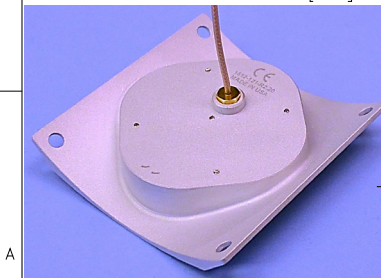
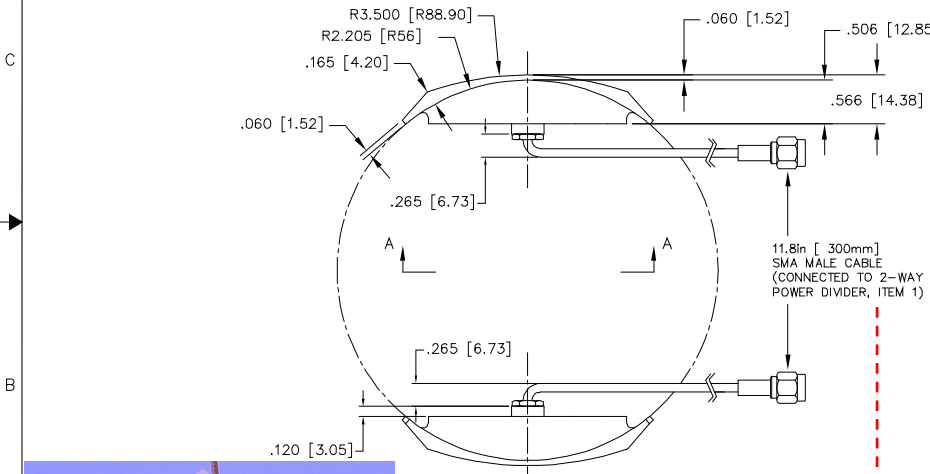
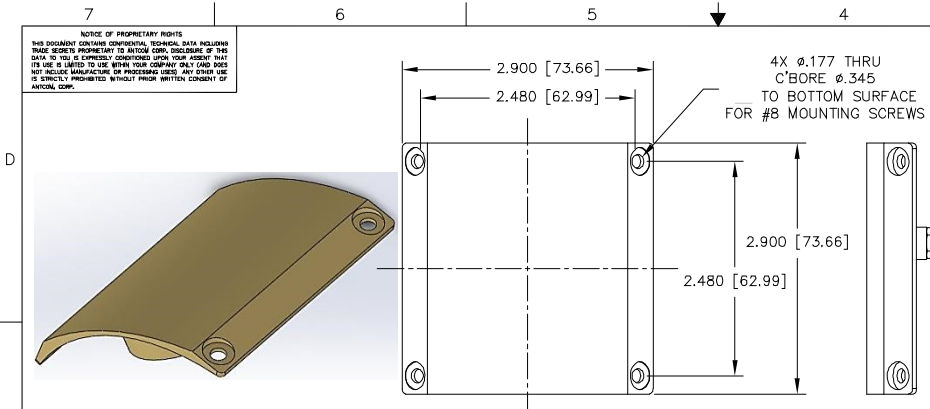
SIZE:	2.90 in [73.66 mm] X 2.90 in [73.66 mm]
HEIGHT:	0.566 in. [14.38 mm]
WEIGHT:	(4.39 oz. (124.5 g)/Antenna) x 2 + (0.96 oz. (27.2 g)/Power Combiner = 9.74 oz (276 g) Total
FINISH:	SKYDROL RESISTANT POLYURETHANE ENAMEL BASE IRIDITE PER MIL-C-5541 Class 1A
COLOR:	GLOSS WHITE #17925 PER FED-STD-595B LUSTERLESS GRAY #36320 PER FED-STD-595B OLIVE DRAB GREEN #34031 PER FED-STD-595B LUSTERLESS BLACK #37038 PER FED-STD-595B TAN #33446 PER FED-STD-595B
MATERIAL:	6061-T6 ALUMINUM ALLOY BASE CERAMIC RADOME, IMPACT, ABRASION, UV, SOLVENT, AND SKYDROL RESISTANCE, FIRE RETARDANT
CONNECTOR:	SMA MALE CABLES (OPTION: TNC, TNC Bulkhead, N, N Bulkhead, MCX, MMCX, or Cable)

ENVIRONMENTAL:

TEMPERATURE:	-67 °F TO +752 °F [-55 °C TO +400 °C (TOP SURFACE)]
ALTITUDE:	70,000 ft.
VIBRATION:	> 30 G's
LEAKAGE:	HERMETICALLY SEAL

FEDERAL & MILITARY SPECIFICATIONS:

DESIGN TO: FAA TSO-C144, DO-160D, D0-228, MIL-C-5541, MIL-STD-883C, MIL-1-45208A, AND SAE J1455



QUANTITY REQD	DESCRIPTION	PART NO	MATERIAL	FINISH	ITEM NO
3					3
2					2
1	2-WAYS POWER DIVIDER	2G1215S-XS2-2			1

UNLESS OTHERWISE SPECIFIED DIMENSIONS ARE IN INCHES FRACTIONS DECIMALS ANGLES ± 1/64 .002 .015 30X ± 1°

TOLERANCE SHW PER ANSI Y14.5 REMOVE ALL BURRS BREAK SHARP EDGES .000 TO .015 HOLLOW PARTS TO BE FINISHED BY TURNING SCREW THREADS PER MIL-S-8879 DITS ON A COPLANAR Q.2P.005 MACHINED SURFACES

DO NOT SCALE DRAWING

ANTCOM CORP. TORRANCE, CALIFORNIA
 Conformal S-Band ANTENNA

REV D 3CVE1 4.8Dx2.9WRAP-2.23H-XS-X-400C
 SCALE 1/1 SHEET 1 OF 1

NMO Connector Option is Now Available for Some Antennas