



3-Port Active L1 GPS + Dual Iridium Antenna (3 Separate Elements for Better Performance)

P/N: 3GL1RxTxIRIR-APP-XSTT-1-F

3.5" Diameter, Flat, Top Mount Configuration. L1/L2, Other Frequency Bands and Connector Options are Available

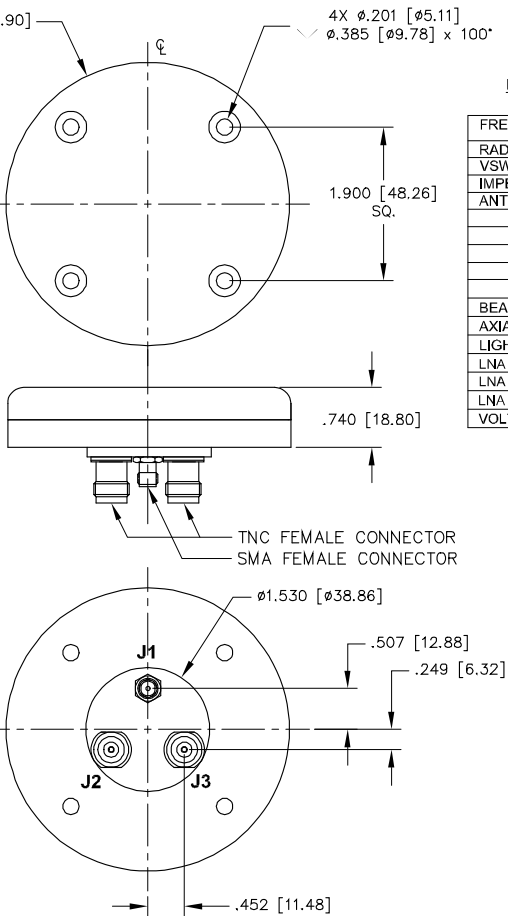
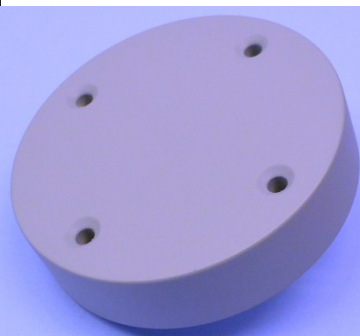
FAA Approved Facility

Antenna Mounts/Adapters: <http://www.antcom.com/documents/catalogs/PeripheralAntennaProducts2.pdf>



ANTCOM CORPORATION . 367 Van Ness Way, Suite 602 . Torrance, CA 90501 . Tel: (310) 782-1076 . Fax: (310) 782-1086 . E-mail: antennas@antcom.com . <http://www.antcom.com>

NOTICE OF PROPRIETARY RIGHTS
THIS DOCUMENT CONTAINS OPERATIONAL, TECHNICAL DATA INCLUDING TRADE SECRETS PROPRIETARY TO ANTCOM CORP. DISCLOSURE OF THIS DATA TO ANY OTHER ENTITY, WITHOUT THE WRITTEN CONSENT THAT THE USER IS OBLIGED TO OBTAIN FROM ANTCOM CORP. ONLY THE USER MAY INCLUDE MANUFACTURE OR PROCESSING LOGS. ANY OTHER USE IS EXPRESSLY PROHIBITED. WITHOUT PRIOR WRITTEN CONSENT OF ANTCOM CORP.



SPECIFICATIONS

| REVISIONS | | | | |
|-----------|-----|-------------|------|----------|
| ZONE | REV | DESCRIPTION | DATE | APPROVED |
| | | | | |

| ELECTRICAL: | J1 | J2 | J3 |
|------------------------|----------------------|------------------|------------------|
| | ACTIVE L1 GPS | IRIDIUM | IRIDIUM |
| FREQUENCY: | (1575 ± 17) MHz | (1609 -1626) MHz | (1609 -1626) MHz |
| RADIATION PATTERN: | HEMISPHERICAL | HEMISPHERICAL | HEMISPHERICAL |
| VSWR: | RHCP | RHCP | RHCP |
| IMPEDANCE: | < 2.0:1 | | |
| ANTENNA GAIN (dBi): | 50 ohms | | |
| @ 90 ° (ZENITH): | + 1.5 | | |
| @ 10 ° Elevation: | - 6.8 | | |
| @ 20 ° Elevation: | - 4.5 | | |
| @ 30 ° Elevation: | - 3.0 | | |
| @ 60 - 90 ° Elevation: | + 0.2 | | |
| BEAM WIDTH (3dB): | 110 Deg. | | |
| AXIAL RATIO: | 2.5 dB | | |
| LIGHTNING PROTECTION: | DC GROUNDING | | |
| LNA GAIN: | 30 dB | PASSIVE | PASSIVE |
| LNA NOISE FIGURE: | 2.8 dB | | |
| LNA P1dB Out: | +13 dBm | | |
| VOLTAGE/CURRENT: | (2.5 TO 24V) @ 35 mA | | |

MECHANICAL:

SIZE: DIAMETER: 3.50 in. [88.9 mm]
 HEIGHT: 0.740 in [18.80 mm]
 WEIGHT: 9.6oz. (272g)
 FINISH: SKYDROL RESISTANT POLYURETHANE ENAMEL
 MATERIAL: BASE IRIDITE PER MIL-C-5541F
 6061-T6 ALUMINUM ALLOY BASE
 COMPOSITE RADOME, IMPACT, ABRASION, UV, SOLVENT,
 SKYDROL RESISTANCE, AND FIRE RETARDANT
 CONNECTOR: SMA FEMALE - GPS, (2X) TNC FEMALE - IRIDIUM
 (OPTION: SMP, MCX, MMCX, TNC, TNC Bulkhead
 BNC, N, N Bulkhead, or Cable)

ENVIRONMENTAL:

TEMPERATURE: -67 °F TO +185 °F [-55 °C TO +85 °C]
 ALTITUDE: 70,000 ft.
 VIBRATION: > 30 G's
 LEAKAGE: HERMETICALLY SEALED

FEDERAL & MILITARY SPECIFICATIONS:

FAA TSO-C144, DO-160D, DO-228, MIL-C-5541,
 MIL-E-5400, MIL-I-45208A, MIL-STD-810, AND SAE J1455

ACCEPTANCE TEST PROCEDURE:

ATP-GPS-L1L2-100

| SIZE: | FREQ. BAND: | LNA: |
|------------------------------|---|-------------------|
| 1: 2" SQ. | RxTxT: RxTx-Thuraya; RxTxIR: Rx-Thuraya & Rx-Iridium/L1-GPS | A: WITH 33dB LNA |
| 1.9: 1.9" SQ. | L1RxT: L1-GPS & Rx-Thuraya; L1RxIR: L1-GPS & Rx-Iridium | A2: WITH 22dB LNA |
| 2: 2.6" DIA. | L1RxTxT: L1-GPS & RxTx-Thuraya; L1L2RxTxT: L1/L2-GPS & RxTx-Thuraya | P: WITHOUT LNA |
| 3: 3.5" DIA. | L1RxTxIR: L1-GPS & RxTx-Iridium; L1L2RxTxIR: L1/L2-GPS & RxTx-Iridium | |
| 4: MINI ARINC, 42: ARINC 743 | L1RxTxTIR: L1-GPS & RxTx-Thuraya & RxTx-Iridium/Inmarsat | |

| QUANTITY REQD. | DESCRIPTION | PART NO | FINISH | UNIT |
|----------------|---------------------------|---------------------------|--------|------|
| 4 | MONTING SCREWS: 10-32, 1" | J507C1032R16, Item 579 | | 5 |
| 1 | GASKET | 3G15P1001-2-3G (Item 539) | - | 1 |

P/N: 3GL1RxTxIRIR-APP-XSTT-1-F

| CABLE'S LENGTH: | Connector: | COLOR: |
|----------------------|--------------------------|---|
| X: NO CABLE | S: SMA; B: BNC | -1: GLOSS WHITE #17925 PER FED-STD-595B |
| M: MAG.; N: No Mag. | NC MCX; MM: MMCX | -2: LUSTERLESS GRAY #36320 PER FED-STD-595B |
| #: CABLE LENGTH (IN) | N: N; NB: N-Bulkhead | -3: CAMO GREEN #34094 PER FED-STD-595B |
| R: RIGHT ANGLE CON. | T: TNC; TB: TNC-Bulkhead | -3O: OLIVE DRAB GREEN #34088 PER FED-STD-595B |
| | | -4: LUSTERLESS BLACK #37038 PER FED-STD-595B |
| | | -5: DESERT TAN #33446 PER FED-STD-595B |

1. DIMENSIONS IN BRACKETS ARE IN MILLIMETERS [mm]

NOTES: UNLESS OTHERWISE SPECIFIED:

UNLESS OTHERWISE SPECIFIED DIMENSIONS ARE IN INCHES FRACTIONS DECIMALS ANGLES ± 1/64 .005 .015 ± 1°

TOLERANCE SURF PER AMS Y14.5
 FINISH ALL SURFES
 BREAK EXTERNAL EDGES .005 TO .015
 FILED & CHAMFER TO R20
 SQUARE THREADS PER MIL-C-8879
 DIMS ON A COORDINATE SYSTEM
 MACHINED SURFACES

DO NOT SCALE DRAWING

ANTCOM CORP. TORRANCE CALIFORNIA
 3.5" Dia., Bottom Connector
 L1 GPS & Dual Iridium
 Antenna

SCALE 1/1 SHEET 1 OF 1

NMO Connector Option is Now Available for Some Antennas