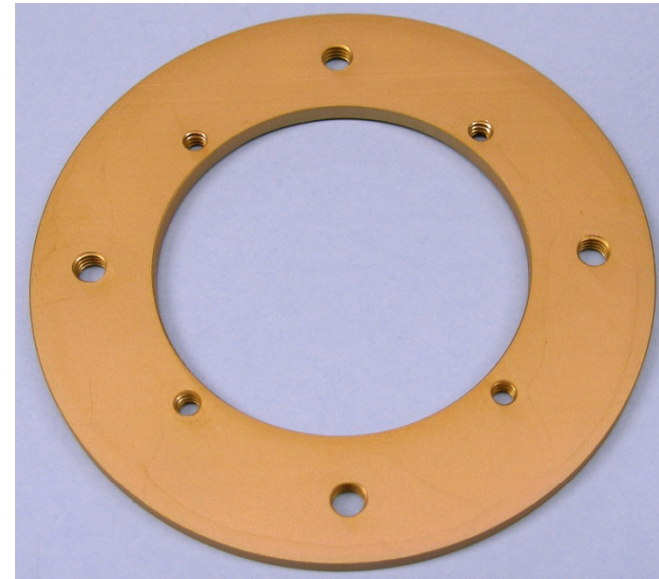
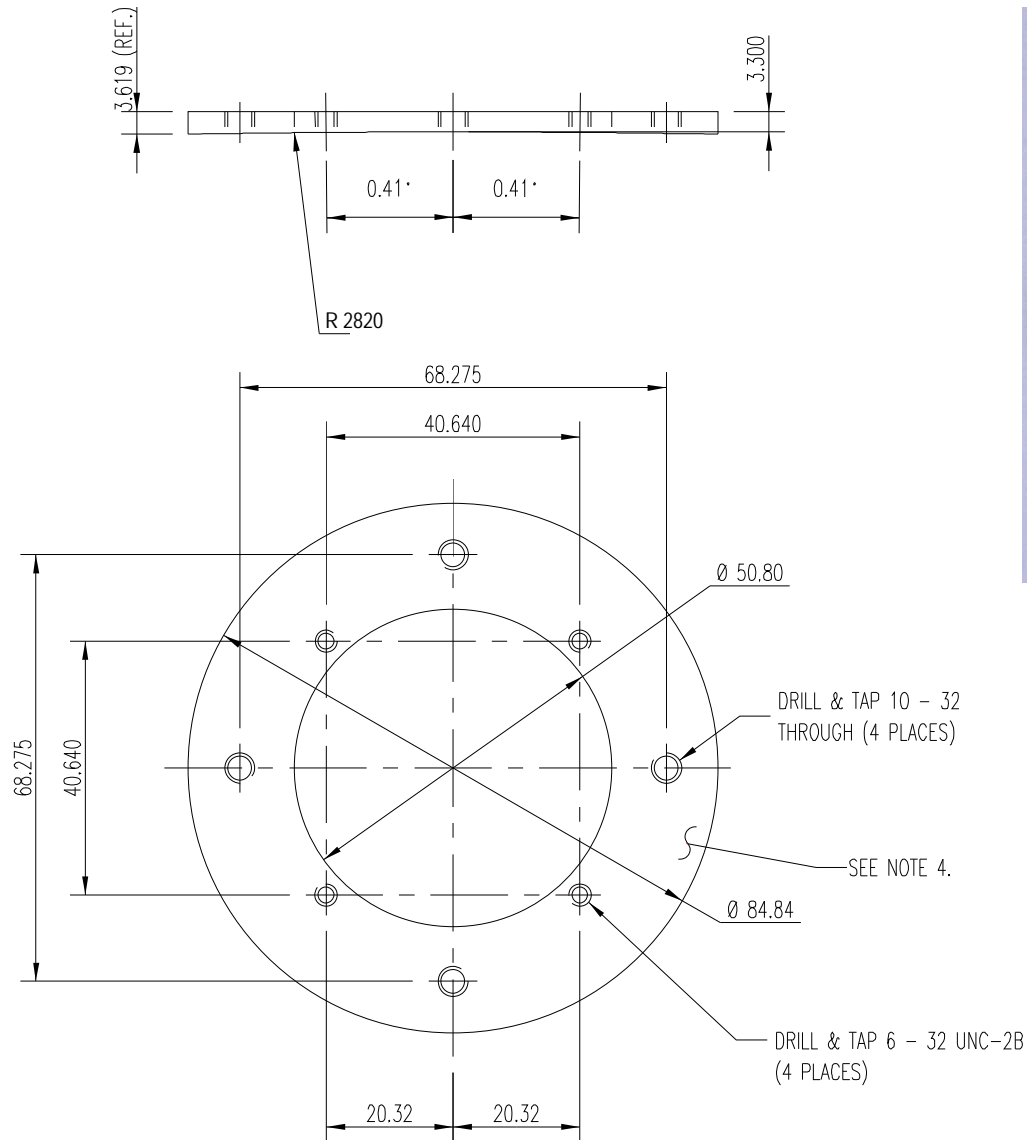


Curved Surface Mounting Adapter:
3.5" Dia. on 2820mm (111.024in) Radius Airplane Surface,
P/N: 3G1215P-AS-AB (Item 495AB)

Stainless Steel: DFARS 252-225-7014/316 Passivated; Chem. Film (MIL-C-5541F, Class 1A); Anodizing (MIL-A-8625F, Type II Class II)

ANTCOM CORPORATION . 367 Van Ness Way, Suite 602 . Torrance, CA 90501 . Tel: (310) 782-1076 . Fax: (310) 782-1086 . E-mail: antennas@antcom.com . http://www.antcom.com



NOTES.

1. ITEM TO BE IDENTIFIED AS PER DRAWING NUMBER.
2. STAMP PART NUMBER ON ITEM.
3. REMOVE ALL SHARP EDGES.
4. BRUSH FINISH FLAT SURFACE ONLY.