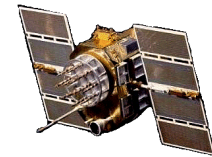




Active L1/L2 GPS Antennas, P/N: 3G1215AL-XS-P-012-1

3.5" Diameter, Configurations

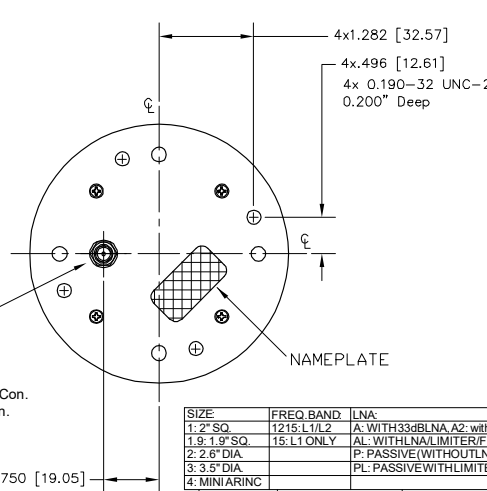
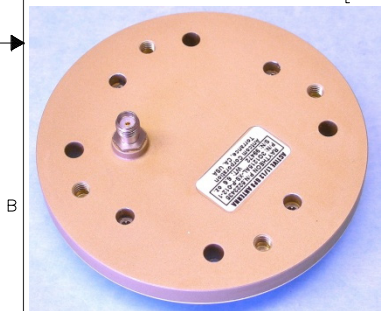
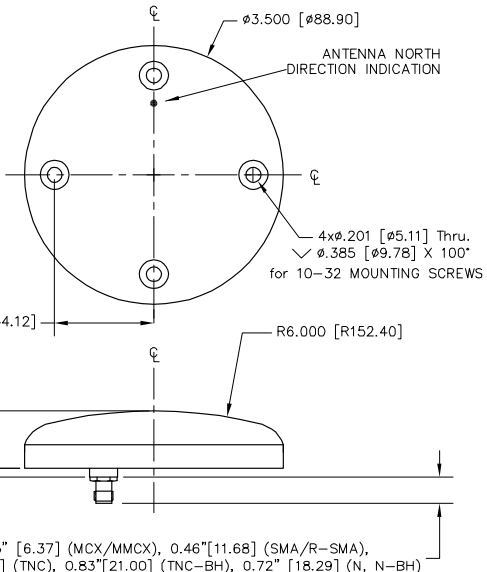


ISO 9001:2008/FAA Approved Facility

Antenna Mounts: <http://www.antcom.com/documents/catalogs/PeripheralAntennaProducts2.pdf>

ANTCOM CORPORATION . 367 Van Ness Way, #602 . Torrance, CA 90501 . Tel: (310) 782-1076 . Fax: (310) 782-1086 . E-mail: antennas@antcom.com . <http://www.antcom.com>

NOTICE OF PROPRIETARY RIGHTS
THIS DOCUMENT CONTAINS CONFIDENTIAL TECHNICAL DATA INCLUDING TRADE SECRETS PROPRIETARY TO ANTCOM CORP. DISCLOSURE OF THIS DATA TO YOU IS EXPRESSLY CONSIDERED WITH YOUR ASSENT THAT ITS USE IS LIMITED TO USE WITHIN YOUR COMPANY ONLY (AND DOES NOT INCLUDE MANUFACTURE OF PRODUCTS USED). ANY OTHER USE IS EXPRESSLY PROHIBITED WITHOUT PRIOR WRITTEN CONSENT OF ANTCOM CORP.



SPECIFICATIONS		REVISIONS	
FREQUENCY:	L1: (1575.42 ±15) MHz	ZONE	REV
RADIATION PATTERN:	HEMISPHERICAL	DESCRIPTION	DATE
POLARIZATION:	RHCP	APPROVED	S.H
VSWR:	< 1.5:1	A	Name Plate, Washers, Screws
IMPEDANCE:	50 ohms	DEC-21-06	
ANTENNAGAIN (dBic):	Free Space 16 in G.P. 4 ft G.P. Free Space 16 in G.P. 4 ft G.P.		
@ 90° (ZENITH):	+4.7 +0.4 +3.5 +3.3 +1.5 +4.9		
@ 10° Elevation:	-1.8 -3.2 -2.0 -3.8 -4.0 -3.6		
@ 20° Elevation:	-0.3 -1.0 +0.8 -2.0 -2.0 -0.1		
@ 30° Elevation:	+1.4 +0.9 +1.8 -0.5 0.0 -1.8		
@ 60 - 90° Elevation:	> 3.9 +3.4/+0.4 > 2.8 > 2.7 +2.4/+1.5 > 3.0		
BEAMWIDTH(3dB):	114 Deg 118 Deg 139 Deg 106 Deg 111 Deg 75 Deg.		
AXIALRATIO	2 dB		
LIGHTNINGPROTECTION:	DC GROUNDING		
LNA GAIN:	33 dB		
LNA NOISE FIGURE:	3.0 dB		
LNA P1dB Out:	+13 dBm		
LNA DC POWER:	(3-5)V/<19mA		
REJECTION@ (-50/+50)MHz	-41 dB / -59 dB		
@ (-100/+100)MHz	< -65 dB		
POWERHANDLING	1 Watt CW, Optional: 10 Watts 1 Microsec Pulse (-AL-)		

MECHANICAL:	
SIZE	DIAMETER= 3.50in.[88.90mm] HEIGHT= 0.770in.[19.56mm]
WEIGHT:	6.8 oz. (191g)
FINISH:	SKYDROLRESISTANTPOLYURETHANENAMEL BASE IRIDIOTEPPER MIL-C-5441
COLOR:	GLOSS WHITE #17925 PER FED-STD-595B
MATERIAL:	6061-T6ALUMINUMALLOY BASE COMPOSITE RADOME,IMPACT,ABRASION,UV, SOLVENT, SKYDROLRESISTANCEAND FIRE RETARDANT
CONNECTOR:	SMA FEMALE(GOLDPLATED) (OPTION: TNC, TNC Bulkhead, N, N Bulkhead, MCX, MMCX, or Cable)

ENVIRONMENTAL:	
TEMPERATURE:	-67 °F TO +185 °F [-55 °C TO +85 °C]
ALTITUDE:	70,000ft.
VIBRATION:	> 30 G's
LEAKAGE:	HERMETICALLYSEAL

FEDERAL & MILITARY SPECIFICATIONS	
DESIGN TO:	FAA TSO-C144, DO-160D, DO-228, MIL-C-5541, MIL-E-5400, MIL-I-45208A, MIL-STD-810, AND SAE J1455
ACCEPTANCE TEST PROCEDURE	ATP-GPS-L1L2-100

QUANTITY	DESCRIPTION	PART NO	REV
1	CONDUCTIVE GASKET (Option)	225271B	6
4	WASHERS (ITEM 518)	3G15P1001-7	5
1	Adapter Plate for for 4" Radius (Option)	3G1215P-AS-P-012-B2	4
1	Adapter Plate for for 7.5" Radius (Option)	3G1215P-AS-E-012-B2	3
1	Adapter Plate for for 3.5" Radius (Option)	3G1215P-AS-3.5-012-B2	2
1	Adapter Plate for for X" Radius (Option)	3G1215P-AS-X-012-B2	1

P/N: 3G1215AL-XS-P-012-1

SIZE	FREQ. BAND	LNA:
1: 2" SQ.	1215: L1/L2	A: WITH 33dB LNA, A2: WITH 20dB LNA, A4: WITH 40dB LNA
1.9: 1.9" SQ.	15: L1 ONLY	AL: WITH LNA/LIMITER/FILTER
2: 2.6" DIA.		P: PASSIVE (WITHOUT LNA)
3: 3.5" DIA.		PL: PASSIVE WITH LIMITER/FILTER
4: MINIARINC		

UNLESS OTHERWISE SPECIFIED DIMENSIONS ARE IN INCHES FRACTIONS DECIMALS ANGLES 2 1/64 .0015 .010 2 2'

ANTCOM CORP. TORRANCE, CALIFORNIA

Active L1/L2 Paveway GPS Antenna

3C13VE1 3G1215AL-XS-P-012-1

SCALE 1/1 SHEET 1 OF 1

2. MOUNTING SCREWS & GASKET ARE SUPPLIED BY ANTCOM
 1. DIMENSIONS IN BRACKETS ARE IN MILLIMETERS [mm]
- NOTES: UNLESS OTHERWISE SPECIFIED:

NMO Connector Option is Now Available for Some Antennas