



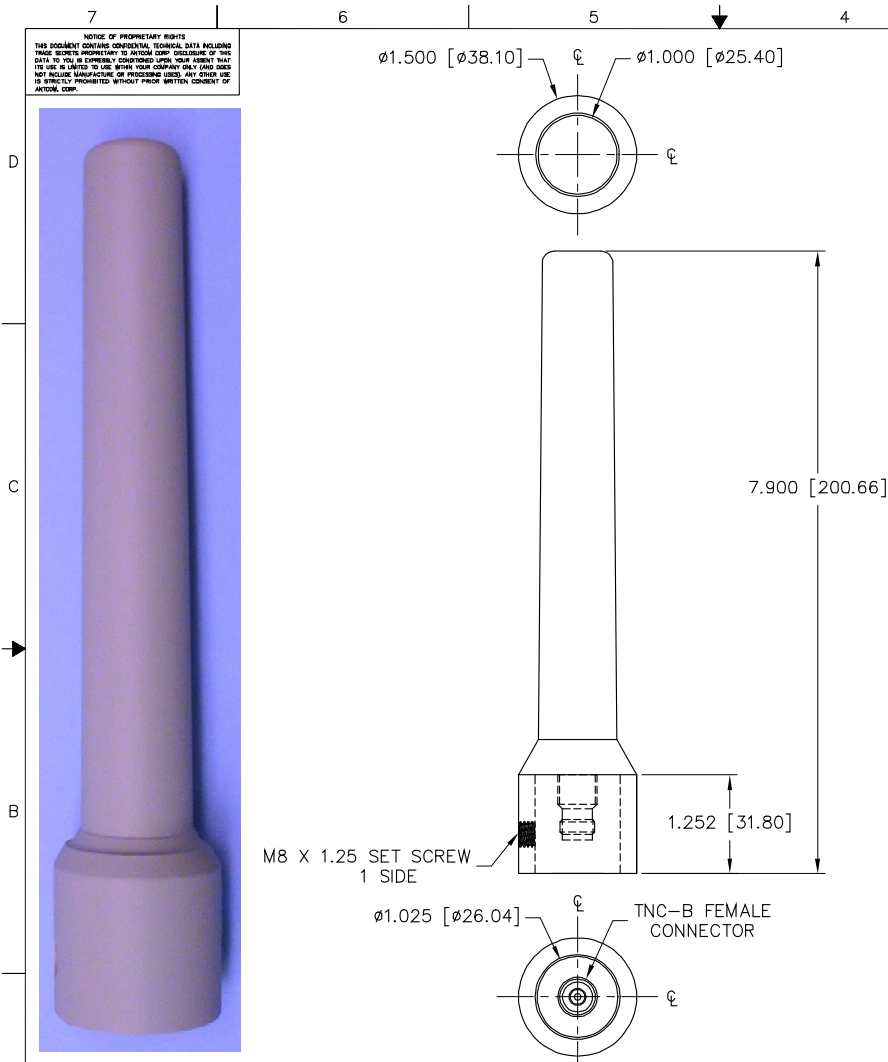
FAA Approved Facility

UHF/GSM/L-Band **Dipole** Antenna: P/N: 3D0.88-1.99-P-XPTB-2-U-DP (0.88-1.99) GHz
 S-Band **Dipole** Antenna: P/N: 3D2.41-2.46-P-XPTB-2-U-DP (2.41-2.46) GHz

Other Frequencies, Connector and Color Options are Available



ANTCOM CORPORATION . 367 Van Ness Way, Suite 602 . Torrance, CA 90501 . Tel: (310) 782-1076 . Fax: (310) 782-1086 . E-mail: antennas@antcom.com . http://www.antcom.com



SPECIFICATIONS

REVISIONS		DATE	APPROVED
ZONE	REV	DESCRIPTION	

ELECTRICAL:

	UHF	UHF/L/S-BAND
FREQUENCY (MHz):	(350-400)/(410-470)/(810-960)	(800-3000)
PATTERN:	OMNIDIRECTIONAL	
POLARIZATION:	VERTICAL	
ANTENNA GAIN:	> 2 dB	
VSWR:	2.1:1	2.1:1
OUTPUT IMPEDANCE:	50 Ω	
POWER HANDLING:	100 watts (Without LNA)	
LNA OPTION:	GAIN: 20 dB, NF: 4.1 dB, OP1dB: +18dB, OIP3: +33dB DC: (5 to 24) Volt @ <70mA	

MECHANICAL:

SIZE: DIAMETER = 1.500 in. [25.4 mm]
 HEIGHT = 7.900 in. [200.66 mm]

WEIGHT: 6.1 oz. (173 g)

FINISH: SKYDROL RESISTANT POLYURETHANE ENAMEL
 BASE IRIDITE PER MIL-C-5441F

MATERIAL: 6061-T6 ALUMINUM ALLOY BASE
 THERMOSET PLASTIC RADOME, UV, ABRASION AND SKYDROL RESISTANCE

CONNECTOR: TNC-BULKHEAD FEMALE
 (SMA, TNC, N, AND CABLE)

ENVIRONMENTAL:

TEMPERATURE: -67°F TO +185°F [-55°C TO +85°C]

ALTITUDE: 70,000 ft.

VIBRATION: >10 G's

LEAKAGE: HERMETICALLY SEALED

FEDERAL & MILITARY SPECIFICATIONS:

DESIGN TO: DO-160D, MIL-C-5541, MIL-E-5400, MIL-I-45208A, AND MIL-STD-810E

FREQUENCY:	CABLE'S LENGTH:	LNA:	CONNECTOR:	COLOR:
0.31-0.40: (310-400) MHz	X: NO CABLE	A: WITH +20 dB LNA	S: SMA; RS: R-SMA; Q: QMA	-1: GLOSS WHITE #17925 PER FED-STD-595B
0.35-0.40: (350-400) MHz	M: WITH MAG. MOUNT	P: WITHOUT LNA	M: MCX; MM: MMCX	-2: LUSTERLESS GRAY #36320 PER FED-STD-595B
0.41-0.47: (410-470) MHz	#: CABLE LENGTH (IN)		N: N-Bulkhead	-3: CAMO GREEN #34094 PER FED-STD-595B
0.81-0.96: (810-960) MHz	R: RIGHT ANGLE CON.		T: TNC; TB: TNC-Bulkhead	-4: LUSTERLESS BLACK #37038 PER FED-STD-595B
0.85-1.90: (850-1900) MHz				-5: DESERT TAN #33446 PER FED-STD-595B
1.33-1.54: (1332-1540) MHz				
1.81-1.85: (1810-1850) MHz				
1.81-2.50: (1810-2500) MHz				
2.40-2.50: (2400-2500) MHz				
2.80-3.00: (800-3000) MHz				
X,XX - Y,YY: (X,XX - Y,YY) GHz				

P/N: 3D0.88-1.99-P-XPTB-2-U-DP

QUANTITY	DESCRIPTION	PART NO	MATERIAL	FINISH
-2	-1			

UNLESS OTHERWISE SPECIFIED	ANTCOM CORP.
DIMENSIONS ARE IN INCHES	TORRANCE, CALIFORNIA
FRACTIONS DECIMALS ANGLES	
± 1/64 ± .005 ± .1°	
TOLERANCE SYM PER ANSI Y14.5	
REMOVE ALL BURRS	
BREAK OFF ALL EDGES .005 TO .015	
FILE TO .005 TO # 100	
SOFTEN THREADS PER MIL-S-8879	
DRY ON A COOLER @ 25.000	
MACHINED SURFACES	
DO NOT SCALE DRAWING	

DATE	BY	DESCRIPTION
Jan-07-15	S. HUYNH	ORIGINAL DRAWN
Jan-07-15	S. HUYNH	ORIGINALLY DESIGNED
Jan-25-17	S. HUYNH	UPDATED
Jan-25-17	P. TRAN	UPDATE DRAWN
Jan-25-17	S. HUYNH	APPROVED

REV	DATE	DESCRIPTION
D	3CVE1	3G14.40-15.35RR-P-XTC-1