



ISO 9001:2008/FAA Approved Facility

UHF/L/S-BAND Rod Antenna, P/N: 3D-X.XX-Y.YY-XTB-X-3
 P/N: 3D-0.41-0.47P-XTB-X-3; P/N: 3D-0.82-2.20P-XTB-X-3
 P/N: 3D-0.80-0.96P-XTB-X-3; P/N: 3D-0.70-2.70P-XTB-X-3
 P/N: 3D-0.82-1.90P-XTB-X-3; P/N: 3D-0.80-3.00P-XTB-X-3
 P/N: 3D-2.20-2.50P-XTB-U-3 (Teflon Coated)

Other Frequencies, Connector and Color Options Are Available

Antenna Mounts/Adapters: <http://www.antcom.com/documents/catalogs/PeripheralAntennaProducts2.pdf>



ANTCOM CORPORATION . 367 Van Ness Way, Suite 602 . Torrance, CA 90501, USA . Tel: (310) 782-1076 . Fax: (310) 782-1086 . E-mail: antennas@antcom.com . <http://www.antcom.com>

NOTICE OF PROPRIETARY RIGHTS
 THIS DOCUMENT CONTAINS CONFIDENTIAL, INTERNAL DATA BELONGING TO ANTCOM CORPORATION. DISCLOSURE OF THIS DATA TO YOU IS EXPRESSLY CONDITIONED UPON YOUR AGREEING THAT ITS USE IS LIMITED TO USE WITHIN YOUR COMPANY ONLY AND DOES NOT INCLUDE MANUFACTURE OR REPRODUCTION. ANY OTHER USE IS STRICTLY PROHIBITED WITHOUT PRIOR WRITTEN CONSENT OF ANTCOM CORP.

SPECIFICATIONS

REVISIONS		DATE	APPROVED
ZONE	REV	DESCRIPTION	

ELECTRICAL:

	UHF (350-400) (410-470) (800-960)	or UHF/L/S-BAND (820-1900), (820-2200), (700-2700) (2200-2500), (800-3000)
FREQUENCY (MHz):		
PATTERN:	OMNIDIRECTIONAL	
POLARIZATION:	VERTICAL	
ANTENNA GAIN :	> 1 dB	
VSWR:	1.7:1	2.0:1
OUTPUT IMPEDANCE:	50Ω	
POWER HANDLING:	100 watts (Without LNA)	
LNA OPTION:	GAIN: 20 dB, NF: 4.1 dB, OP1dB: +18dB, OIP3: +33dB DC: (5 to 24) Volt @ <70mA	

MECHANICAL:

SIZE: DIAMETER: 1.00 In. [25.40 mm]
 HEIGHT: 4.270 in. [108.46 mm]
 WEIGHT: 1.25 oz (35.3 g)
 FINISH: SKYDROL RESISTANT POLYURETHANE ENAMEL
 BASE IRIDITE PER MIL-C-5441F
 MATERIAL: 6061-T6 ALUMINUM ALLOY BASE
 THERMOSET PLASTIC RADOME, UV, ABRASION AND SKYDROL RESISTANCE
 CONNECTOR: TNC-Bulkhead
 (OPTION: SMA-Bulkhead, TNC, N, N-Bulkhead, MCX, MMCX, QMA, or Cable)

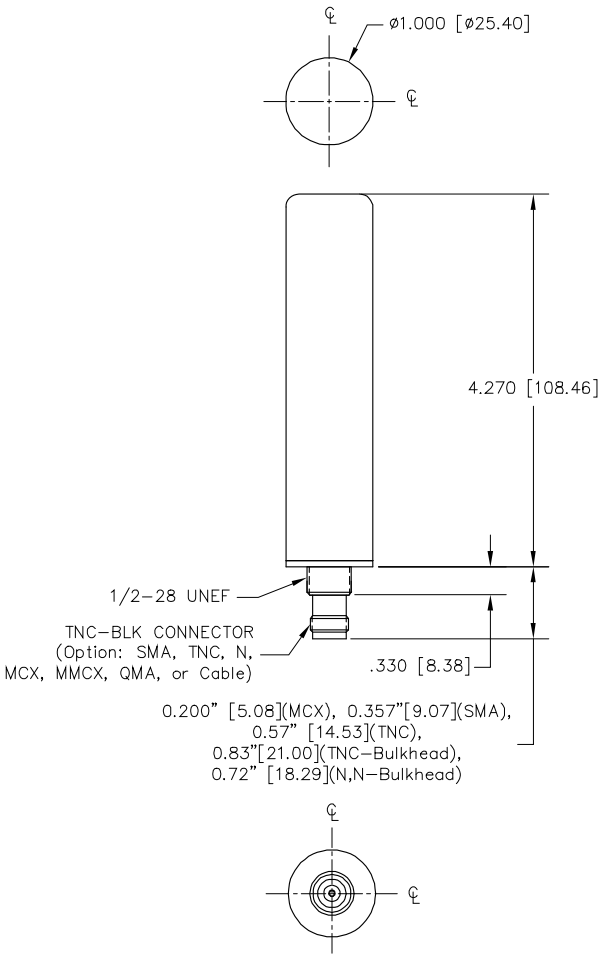
ENVIRONMENTAL:

TEMPERATURE: -67°F TO +185°F [-55°C TO +85°C]
 ALTITUDE: 70,000 ft.
 VIBRATION: >10 G's
 LEAKAGE: HERMETICALLY SEALED

FEDERAL & MILITARY SPECIFICATIONS:

DESIGN TO: DO-160D, MIL-C-5541, MIL-E-5400, MIL-I-45208A, AND MIL-STD-810E

ACCEPTANCE TEST PROCEDURE: ATP-GPS-L1L2-100



FREQUENCY:	CABLE'S LENGTH:	LNA:	CONNECTOR:	COLOR:
0.31-0.40: (310-400) MHz	X: NO CABLE	A: WITH +20 dB LNA	S: SMA; RS: R-SMA; Q: QMA	-1: GLOSS WHITE #17925 PER FED-STD-595B
0.35-0.40: (350-400) MHz	M: WITH MAG. MOUNT	P: WITHOUT LNA	M: MCX; MM: MMCX	-2: LUSTERLESS GRAY #36320 PER FED-STD-595B
0.41-0.47: (410-470) MHz	#: CABLE LENGTH (IN)		N: N-Bulkhead	-3: CAMO GREEN #34094 PER FED-STD-595B
0.81-0.96: (810-960) MHz	R: RIGHT ANGLE CON.		T: TNC; TB: TNC-Bulkhead	-4: LUSTERLESS BLACK #37038 PER FED-STD-595B
0.85-1.90: (850-1900) MHz				-5: DESERT TAN #33446 PER FED-STD-595B
1.33-1.54: (1332-1640) MHz				-U: TEFLON COATED
1.61-1.85: (1610-1850) MHz				
1.61-2.50: (1610-2500) MHz				
2.20-2.50: (2400-2500) MHz				
0.80-3.00: (800-3000) MHz				
X.XX - Y.YY: (X,XX - Y,YY) GHz				

P/N: 3D-2.20-2.50P-XTB-U-3

QUANTITY	DESCRIPTION	PART NO	MATERIAL	FINISH
-2	-1			

UNLESS OTHERWISE SPECIFIED DIMENSIONS ARE IN INCHES		TOLERANCES ARE:	
FRACTIONS	DECIMALS	ANGLES	
± 1/64	± .005	± 1°	

DATE	BY	APP'D	DESCRIPTION
May-08-12	S. HUYNH		ORIGINALLY DRAWN
May-08-12	S. HUYNH		ORIGINALLY DESIGNED
Aug-01-17	S. HUYNH		UPDATED
Aug-01-17	P. TRAN		UPDATE DRAWN
Aug-01-17	S. HUYNH		APPROVED

ANTCOM CORP. TORRANCE, CALIFORNIA	
UHF, or UHF/L/S-BAND ROD ANTENNA	
SCALE 1/1	SHEET 1 OF 1