

S/C-Band Antenna (2 Ports)

P/N: 3B-S-C-BANDVV-XSS-2

3" Tall Blade Configuration, Shorter, Lighter, and more Gain






FAA Approved
TSO Antennas

ANTCOM CORPORATION . 367 Van Ness Way, Suite 602 . Torrance, CA 90501, USA . Tel: (310) 782-1076 . Fax: (310) 782-1086 . E-mail: antennas@antcom.com . <http://www.antcom.com>

7 6 5 4 3 2 1

NOTICE OF PROPRIETARY RIGHTS
THIS DOCUMENT CONTAINS CONFIDENTIAL TECHNICAL DATA INCLUDING TRADE SECRETS PROPRIETARY TO ANTCOM CORP. DISCLOSURE OF THIS DATA TO YOU IS EXPRESSLY PROHIBITED UNLESS YOU AGREE THAT ITS USE IS LIMITED TO USE WITHIN YOUR COMPANY ONLY AND DOES NOT INCLUDE MANUFACTURE OR REPRODUCTION. ANY OTHER USE IS EXPRESSLY PROHIBITED WITHOUT PRIOR WRITTEN CONSENT OF ANTCOM CORP.

1. DIMENSIONS IN BRACKETS ARE IN MILLIMETERS [mm]
NOTES: UNLESS OTHERWISE SPECIFIED:

SPECIFICATIONS

ELECTRICAL:

FREQUENCY (MHz):	P1: C-BAND (4400-5850)	P2: S-BAND (2300-2500)
PATTERN:	OMNIDIRECTIONAL	
POLARIZATION:	VERTICAL	
ANTENNA GAIN : 1ft GP	4 dB	4 dB (Front/Back), 2 dB (Sides)
ANTENNA GAIN : 4ft GP	6 dB	6 dB (Front/Back), 3 dB (Sides)
VSWR:	2.0:1	
OUTPUT IMPEDANCE:	50 Ω	
POWER HANDLING:	>50 watts	

MECHANICAL:

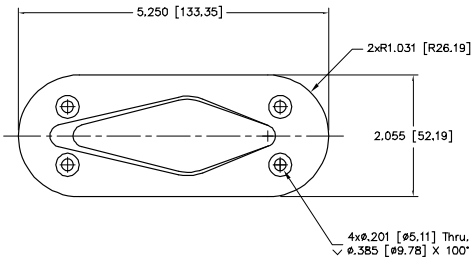
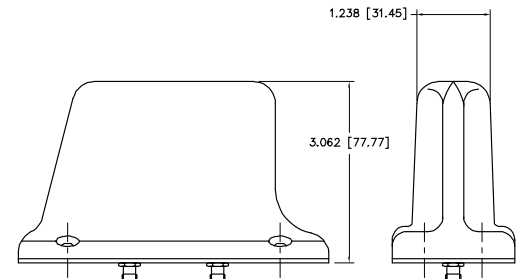
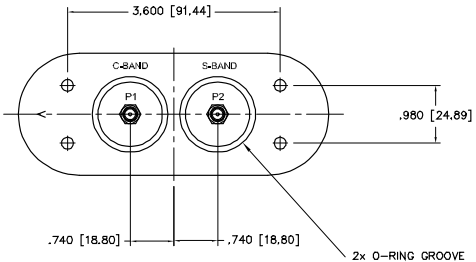
SIZE: WIDTH: 2.055 in. [52 mm], LENGTH: 5.25 in. [133 mm], HEIGHT: 3.062 in. [77 mm]
WEIGHT: 5.3 oz. (150g)
FINISH: SKYDROL RESISTANT POLYURETHANE ENAMEL BASE IRIDITE PER MIL-C-5441
COLOR: LUSTERLESS GRAY #36320 PER FED-STD-595B
GLOSS WHITE #17925 PER FED-STD-595B
OLIVE DRAB GREEN #34031 PER FED-STD-595B
LUSTERLESS BLACK #37038 PER FED-STD-595B
MATERIAL: 6061-T6 ALUMINUM ALLOY BASE
THERMOSET PLASTIC RADOME, UV, ABRASION AND SKYDROL RESISTANCE
CONNECTOR: SMA FEMALE CONNECTORS (OPTIONAL: TNC, BNC or N)

ENVIRONMENTAL:

TEMPERATURE: -67°F TO +185°F [-55°C TO +85°C]
ALTITUDE: 70,000 ft.
VIBRATION: 10 G's
LEAKAGE: HERMETICALLY SEAL

FEDERAL & MILITARY SPECIFICATIONS:

DESIGN TO: DO-160D, MIL-C-5541, MIL-E-5400, MIL-I-45208A, AND MIL-STD-810

REVISIONS

ZONE	REV	DESCRIPTION	DATE	APPROVED

4	SCREW, MOUNTING	MS24693C273	-	-	-	2
2	O-RING	MS28775-024	-	-	-	1
QUANTITY	DESCRIPTION	PART NO	SPECIFICATION	MATERIAL	FINISH	ITEM NO
PARTS LIST						

UNLESS OTHERWISE SPECIFIED DIMENSIONS ARE IN INCHES FRACTIONS DECIMALS ANGLES ± 1/64 .005 .010 ± 1° TOLERANCE 5M PER ANSI Y14.6 REMOVE ALL BURRS FILLET TO .005 TO R .010 SOE IF THROUGHS PER MIL-S-8879 DAYS ON A DIMENSION .000 MACHINED SURFACES 100%	ORIGINALLY DRAWN S. HUYNH June-25-08 ORIGINALLY DESIGNED S. HUYNH June-25-08 UPDATED S. HUYNH Aug-18-16 UPDATE DRAWN P. TRAN Aug-18-16 APPROVED S. HUYNH Aug-18-16	ANTCOM CORP. TORRANCE, CALIFORNIA OUTLINE DRAWING S/C-BAND VIDEO/DATA LINK ANTENNA
DO NOT SCALE DRAWING	SCALE 1/1	SHEET 1 OF 1