



FAA Approved Facility

(1.60-2.50) GHz L/S-Band Antenna,

(0.70-2.70) GHz 4G/LTE/UHF/L/S-Band Antenna,

7.75in Conformal Radius. Other Frequencies, Connector, Color and Mounting Radius Options Are Available

P/N: 3B-1.6-2.5V-XS-1-7.75R-FS

P/N: 3B-0.70-2.70V-XS-1-7.75R-FS



Antenna Mounts: <http://www.antcom.com/documents/catalogs/PeripheralAntennaProducts2.pdf>

ANTCOM CORPORATION . 367 Van Ness Way, Suite 602 . Torrance, CA 90501 . Tel: (310) 782-1076 . Fax: (310) 782-1086 . E-mail: antennas@antcom.com . <http://www.antcom.com>


NOTICE OF PROPRIETARY RIGHTS
THIS DOCUMENT CONTAINS CONFIDENTIAL TECHNICAL DATA INCLUDING TRADE SECRETS PROPRIETARY TO ANTCOM CORP. DISCLOSURE OF THIS DATA, IN WHOLE OR IN PART, TO ANY OTHER PARTY WITHOUT THE WRITTEN CONSENT OF ANTCOM CORP. IS STRICTLY PROHIBITED. ANY OTHER USE IS STRICTLY PROHIBITED WITHOUT PRIOR WRITTEN CONSENT OF ANTCOM CORP.

SPECIFICATIONS


REVISIONS		DATE	APPROVED
ZONE	REV	DESCRIPTION	

2

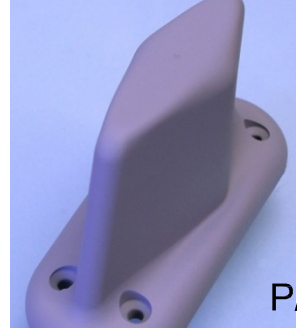
D



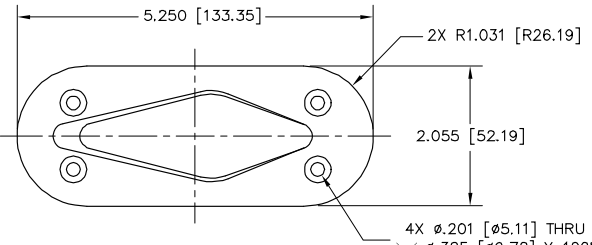
C



B



A

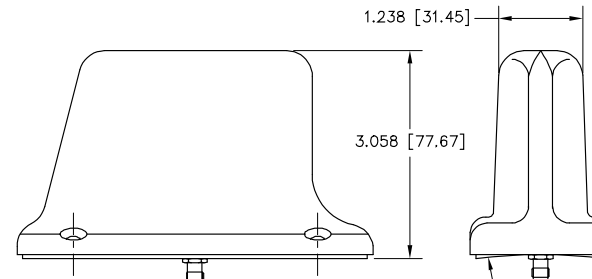


5.250 [133.35]

2X R1.031 [R26.19]

2.055 [52.19]

4X ϕ .201 [ϕ 5.11] THRU ϕ .385 [ϕ 9.78] X 100°

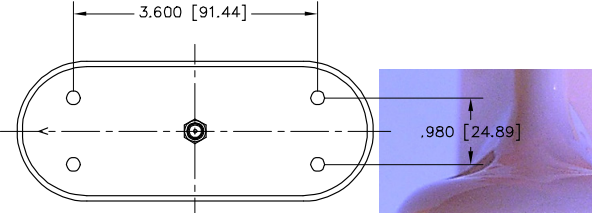


1.238 [31.45]

3.058 [77.67]

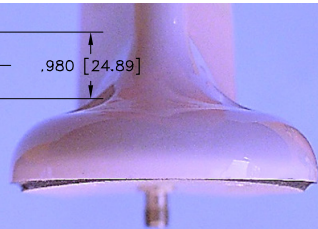
TNC FEMALE CONNECTOR (OPTIONAL: SMA, N, BNC, TNC)

R7.750 [R196.85] (See P/N Below)



3.600 [91.44]

.980 [24.89]



ELECTRICAL:

FREQUENCY:	(1.60-2.50) (GHz)
PATTERN:	OMNIDIRECTIONAL
POLARIZATION:	VERTICAL
ANTENNA GAIN : Free Space	(1.5 - 4.7) dB
ANTENNA GAIN : 1ft GP	(3 - 4.7) dB
ANTENNA GAIN : 4ft GP	4.7 dB
VSWR:	2.0:1
OUTPUT IMPEDANCE:	50 Ω
POWER HANDLING:	200 watts

MECHANICAL:

SIZE: WIDTH: 2.055 in. [52 mm], LENGTH: 5.25 in. [133 mm], HEIGHT: 3.058 in. [77.67 mm]

WEIGHT: 5.3 oz. (150g)

FINISH: SKYDROL RESISTANT POLYURETHANE ENAMEL BASE IRIDITE PER MIL-C-5541F

MATERIAL: 6061-T6 ALUMINUM ALLOY BASE THERMOSET PLASTIC RADOME, UV, ABRASION AND SKYDROL RESISTANCE

CONNECTOR: SMA FEMALE (OPTIONAL: TNC, BNC, N)

ENVIRONMENTAL:

TEMPERATURE: -67°F TO +185°F [-55°C TO +85°C]

ALTITUDE: 70,000 ft.

VIBRATION: 10 G's

LEAKAGE: HERMETICALLY SEAL

FEDERAL & MILITARY SPECIFICATIONS:

TSO-C129A/C144, DO-160D, D0-228, MIL-C-5541, MIL-STD-461E/F, MIL-E-5400, MIL-I-45208A, MIL-STD-810, MIL-S-901D, MIL-STD-167-1A, SAE J1455

1

P/N: 3B-1.6-2.5V-XS-1-7.75R-FS

START FREQUENCY:	STOP FREQUENCY:	CONNECTOR:	COLOR:	RADIUS:
X.XX (GHz)	Y.YY (GHz)	S: SMA; P: PINS M: MCX; MM: MMCX N: N/N-Bulkhead T, TB: TNC, TNC-Bulkhead BNC: BNC	-1: GLOSS WHITE #17925 PER FED-STD-595B -2: LUSTERLESS GRAY #36320 PER FED-STD-595B -3: CAMO GREEN #34094 PER FED-STD-595B -4: LUSTERLESS BLACK #37038 PER FED-STD-595B -5: DESERT TAN #33446 PER FED-STD-595B	X.XX 7.75 in.
0.22, 0.31, 0.35, 0.37,	0.31, 0.35, 0.37, 0.40,			
0.40, 0.42, 0.45, 0.47,	0.41, 0.42, 0.45, 0.47,			
0.70, 0.80, 0.99, 1.30	0.70, 0.80, 0.99, 1.40			
1.50, 1.60, 1.70, 1.80	1.55, 1.65, 1.75, 1.85			
1.99, 2.40, 2.70	1.99, 2.50, 2.70			

7

6

5

4

3

2

1

4

3

2

1

4

3

2

1